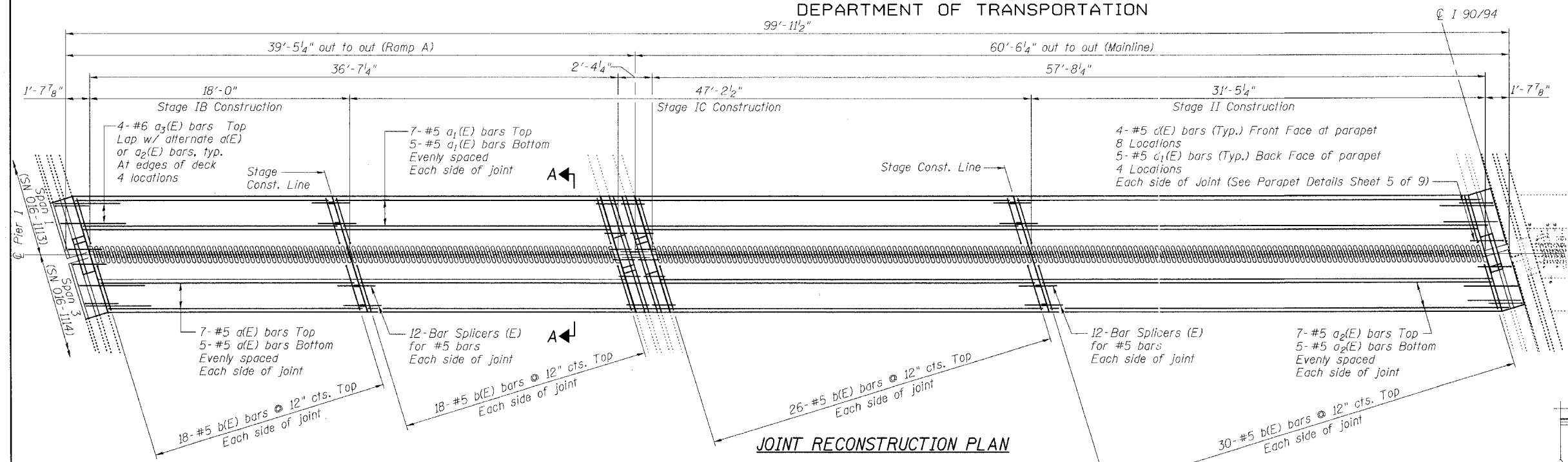


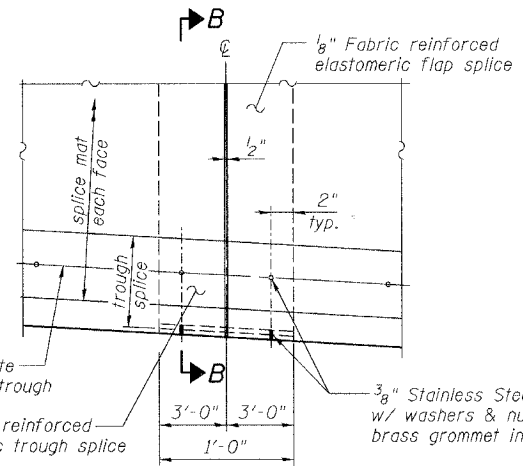
STATE OF ILLINOIS  
DEPARTMENT OF TRANSPORTATION

ROUTE NO.	SECTION	COUNTY	TOTAL SHEETS	SHEET NO.
90/94	*	COOK	344	246
9 SHEETS				

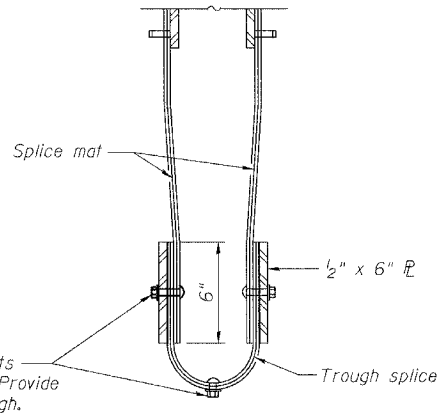
2003-0299E  
Contract #62581



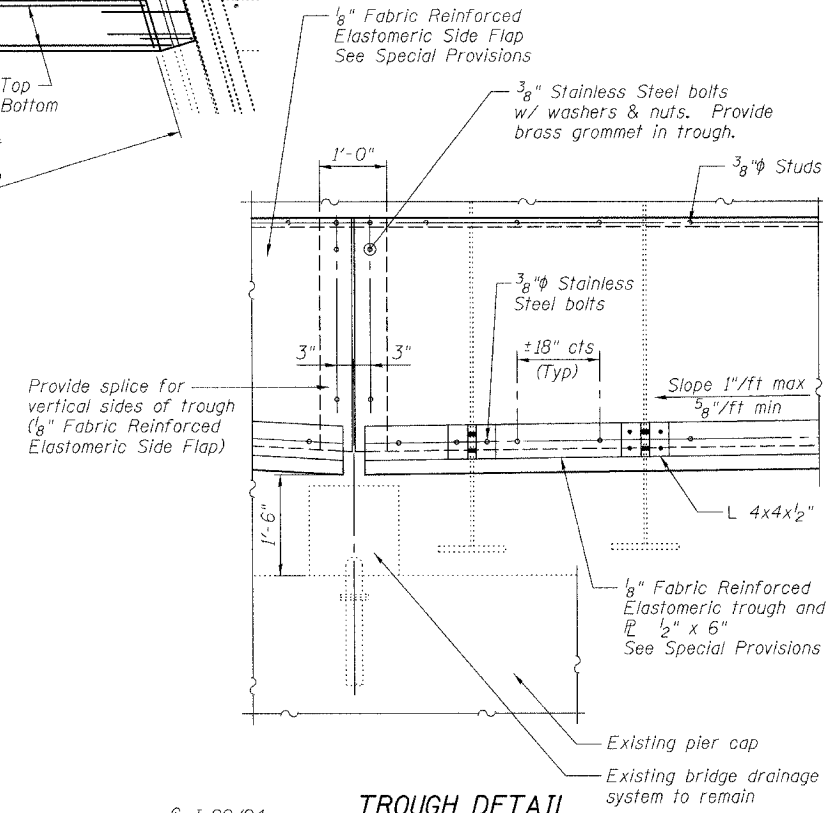
JOINT RECONSTRUCTION PLAN



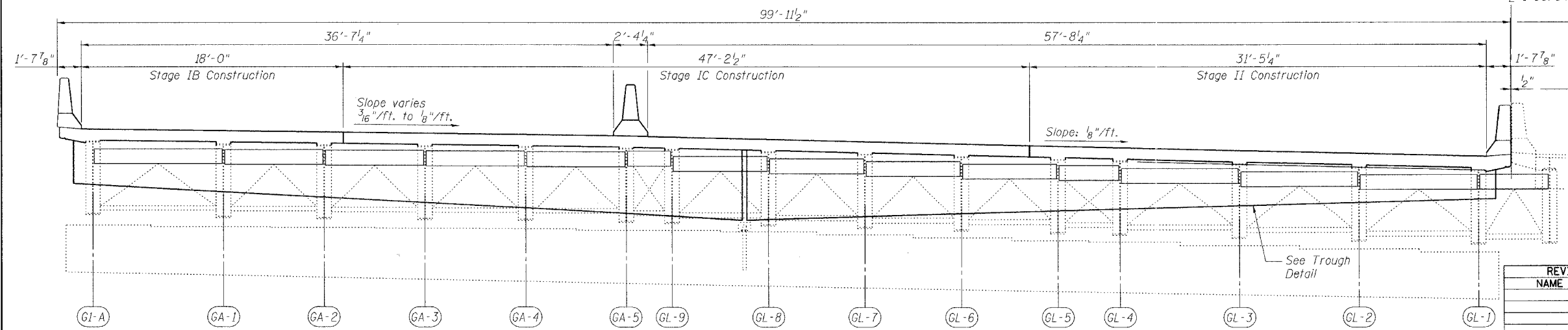
TROUGH SPLICE DETAIL



SECTION B-B



TROUGH DETAIL



ELEVATION (LOOKING NORTH)

- Notes:
- For Parapet Details and Superstructure Bill of Material, see Sheet 5 of 9.
  - For Section A-A, see Sheet 4 of 9.
  - Deck cross slopes shown are at right angles to  $\bar{C}$  Roadway.

REVISIONS	
NAME	DATE

ILLINOIS DEPARTMENT OF TRANSPORTATION  
**PIER 1 JOINT DETAILS**  
F.A.I. ROUTE 90/94 SOUTHBOUND (DAN RYAN EXPRESSWAY)  
OVER SOUTH BRANCH - CHICAGO RIVER  
COOK COUNTY  
S.N. 016-1113 - PIER 1

SCALE: VERT. 1"=4'-0"  
HORIZ. 1"=40'-0"  
DATE: 4/7/05

DRAWN BY: LANDREY  
DESIGNED BY: SANFORD  
CHECKED BY: MATHUR

COMPUTER FILE NO.  
04286-W01-SB-PJ1  
PROJECT 04286-W01  
5/11/06-MML

GREENE & BRADFORD, INC.  
OF SPRINGFIELD  
CONSULTING ENGINEERS  
PROFESSIONAL ENGINEERS  
REGISTERED IN ILLINOIS  
1001 WEST BARKER ROAD, SUITE 100  
SPRINGFIELD, ILLINOIS 62761-1000  
TEL: 217-223-8800 FAX: 217-223-8801  
WWW.GREENE-AND-BRADFORD.COM

FILE NAME: J:\04286-W01\DRAWINGS\Scut\Trough\04286-W01-SB-PJ1.dgn  
PLOT DATE: 5/16/2006  
PLOT TIME: 2:28:50 PM  
OPERATOR: michellel