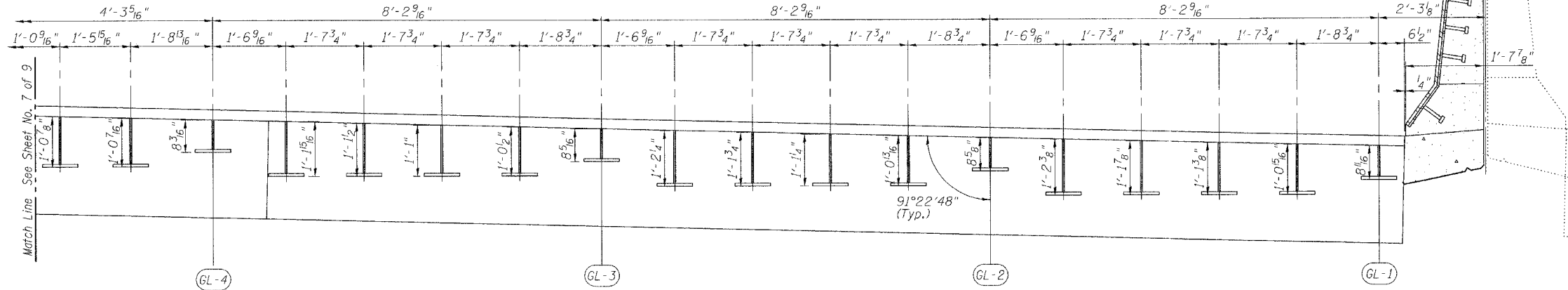


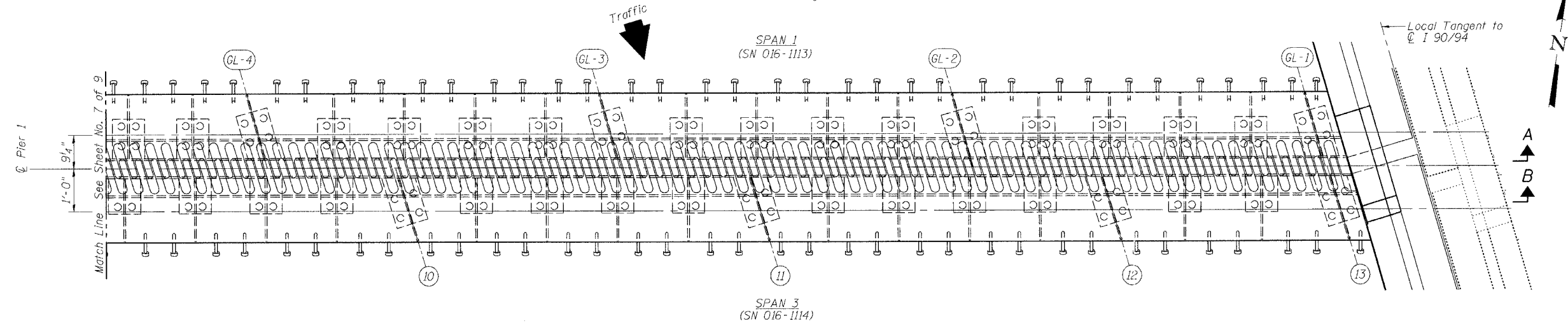
STATE OF ILLINOIS
DEPARTMENT OF TRANSPORTATION

ROUTE NO.	SECTION	COUNTY	TOTAL SHEETS	SHEET NO.
FAI 90/94	*	COOK	344	251
FED. ROAD DIST. NO.	ILLINOIS	FED. AID PROJECT		
* 2003-0291 Contract #62581				

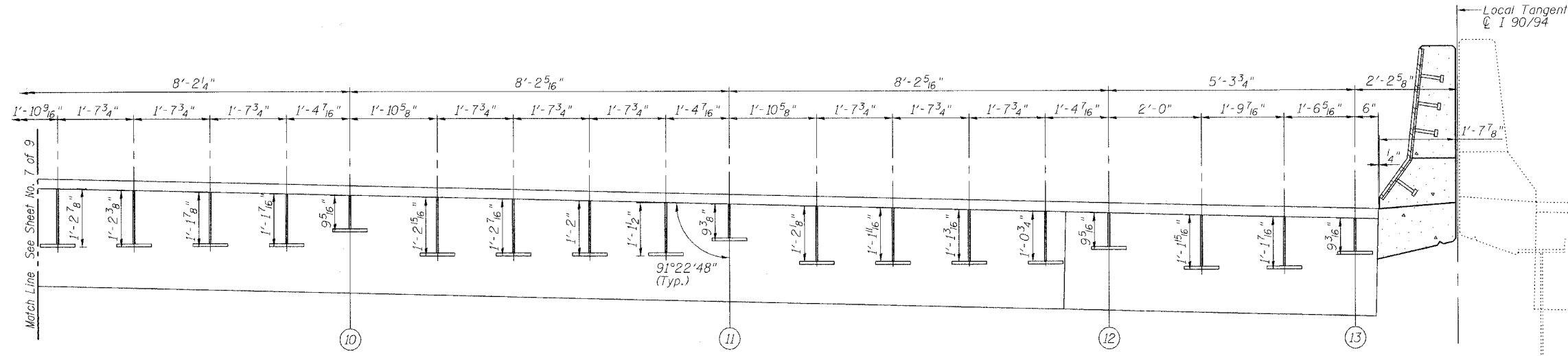
SHEET NO. 8
9 SHEETS



SECTION A-A
(Dimensions are along Q Pier)



PLAN OF FINGER PLATE AT PIER 1 (SOUTHBOUND)



SECTION B-B
(Dimensions are along Q Pier)

REVISIONS	
NAME	DATE

ILLINOIS DEPARTMENT OF TRANSPORTATION
FINGER PLATE PLAN AND ELEVATION
F.A.I. ROUTE 90/94 SOUTHBOUND (DAN RYAN EXPRESSWAY)
OVER SOUTH BRANCH - CHICAGO RIVER
COOK COUNTY
S.N. 016-1113 - PIER 1

SCALE: VERT. _____
HORIZ. _____
DATE: 4/7/05

DRAWN BY: LANDREY
DESIGNED BY: SANFORD
CHECKED BY: MATHUR

COMPUTER FILE NO.
04286-W01-SB-PE3
PROJECT 04286-W01
5/11/06-MML

GREENE & BRADFORD, INC.
OF SPRINGFIELD
CONSULTING ENGINEERS
300 CONVENT ROAD
SPRINGFIELD, ILLINOIS 62761
PROFESSIONAL ENGINEERING REGISTRATION NO. 0212-0001
021-753-8842 (202) 753-8227 FAX 021-753-8842

FILE NAME = J:\04286-W01\DRAWINGS\SOUTHBOUND\04286-W01-SB-PE3.dgn
PLOT SCALE = 1/4" = 1' IN. DRY = XES_8850.ENG.BRIDGE.plt
PLOT DATE = 5/16/2006
PLOT TIME = 10:00 AM
OPERATOR = MICHAELB