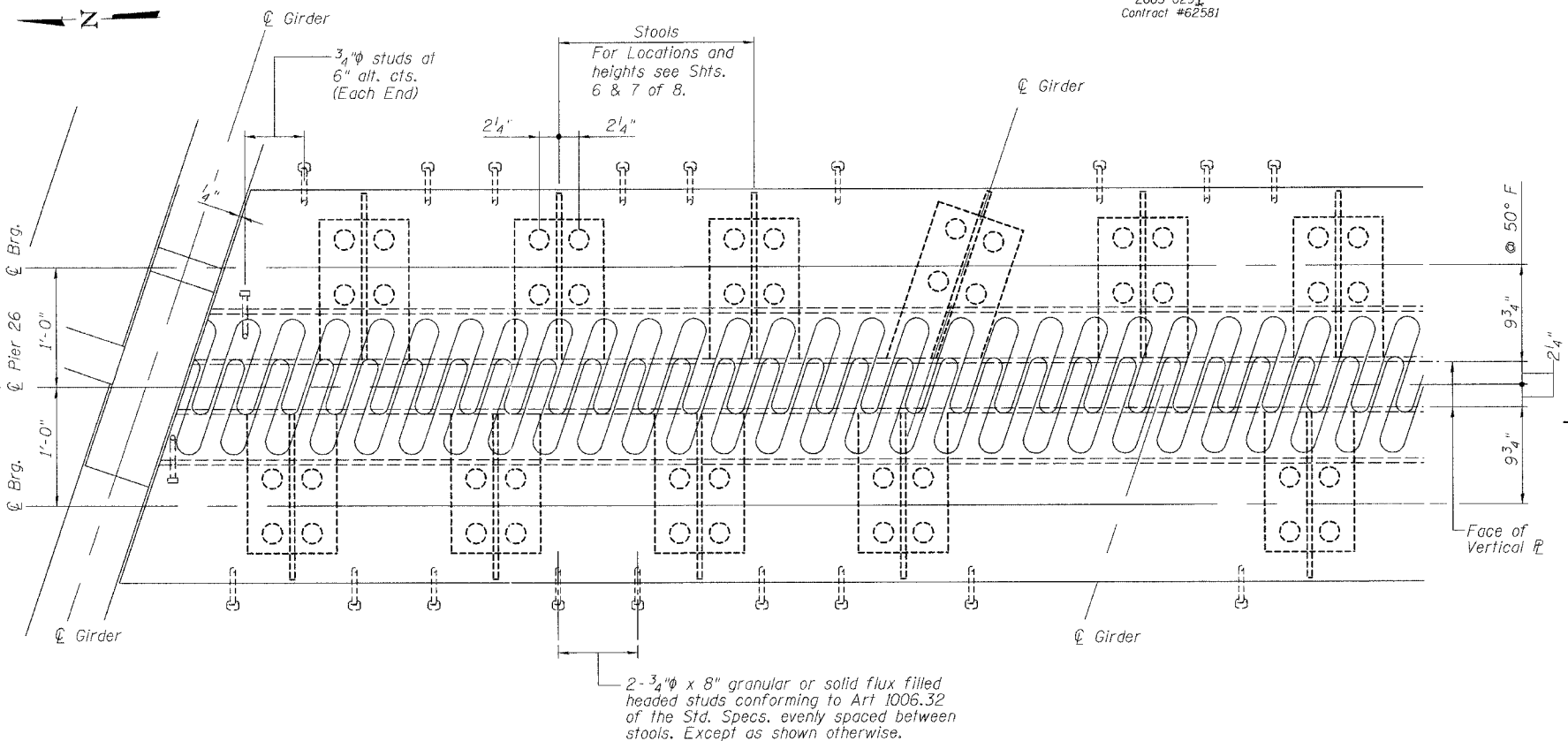
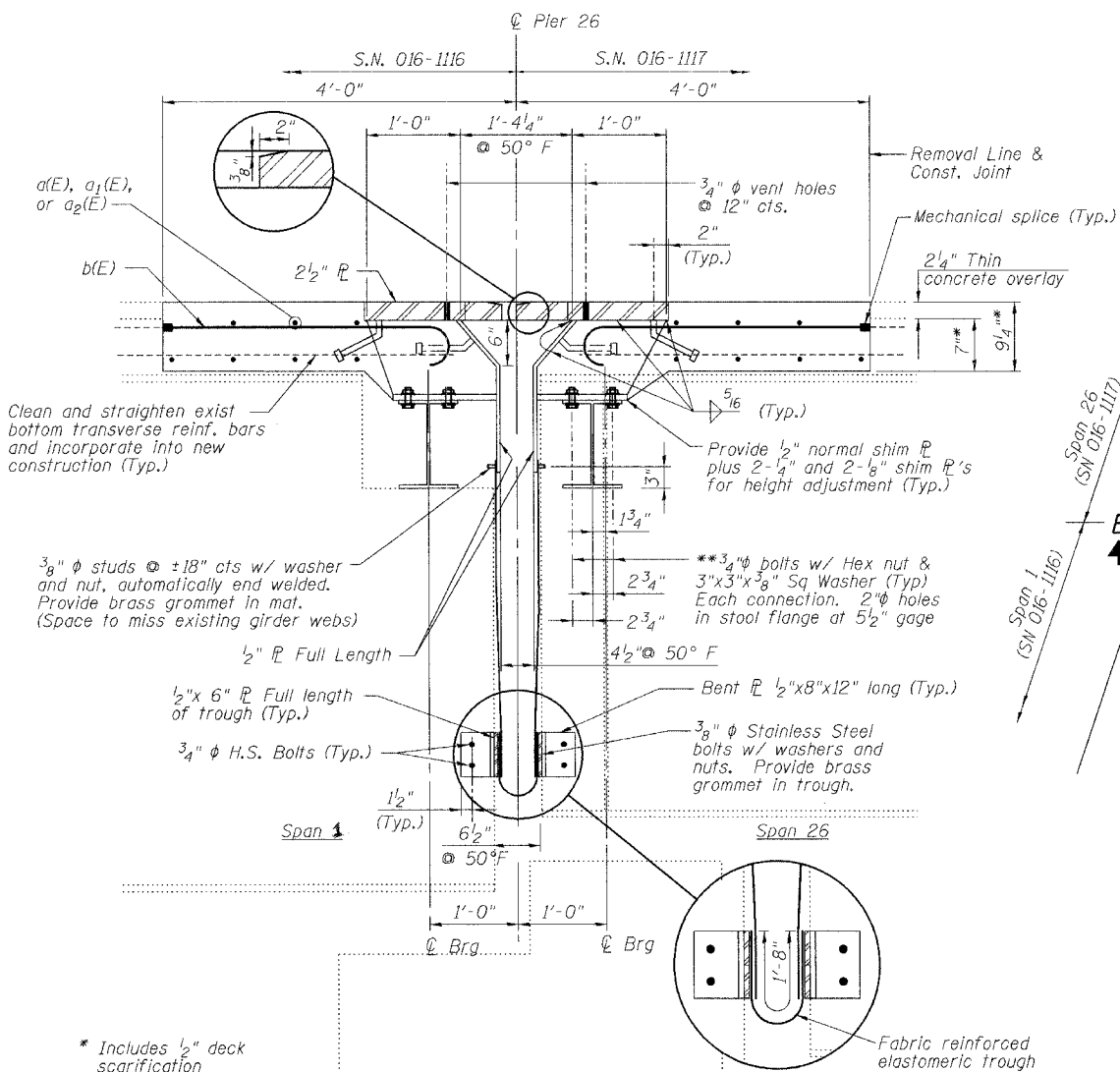


STATE OF ILLINOIS
DEPARTMENT OF TRANSPORTATION

ROUTE NO.	SECTION	COUNTY	TOTAL SHEETS	SHEET NO.
FAI 90/94	*	COOK	344	256
FED. ROAD DIST. NO.	ILLINOIS	FED. AID PROJECT		

SHEET NO. 4
8 SHEETS

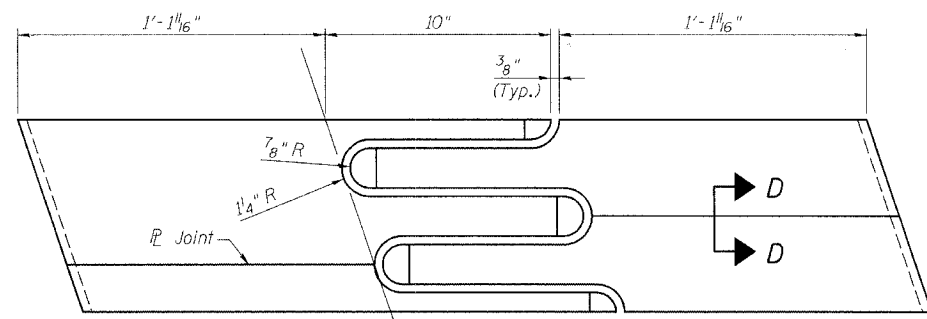
* 2003-0297
Contract #62581



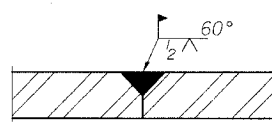
PLAN

NOTES

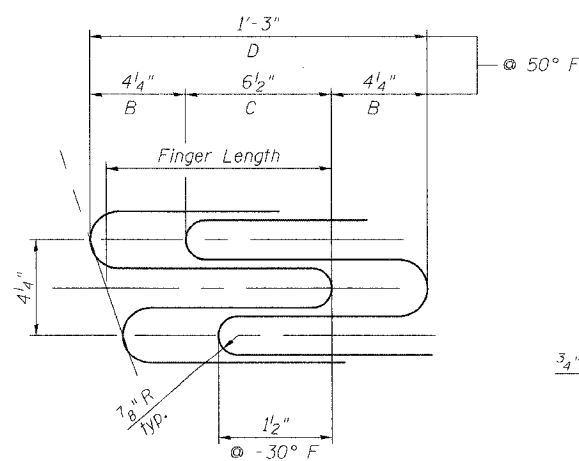
- The Contractor shall bolt the Stools of the Fingerplate Joint Assembly to the top of existing girders on the Span 26 side, to Girders 1 and GS1 on the Span 1 side, and to the top of the new diaphragms, as shown.
- Stainless steel bolts, washers and nuts shall meet the requirements of ASTM A193.
- The furnishing and installation of all necessary hardware, stainless steel bolts, studs and washers, plates and angles shall be included with "Furnishing and Erecting of Structural Steel".
- For Section B-B, see Sheet 5 of 8.



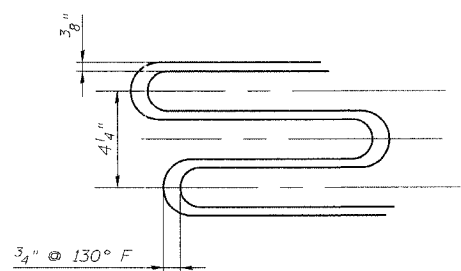
FLAME CUTTING DIAGRAM
(Proposed Finger PL - Cut from 2 1/2" x 2'-11 3/4" PL)



SECTION D-D



FINGER DETAIL
Finger Length = 10"
Weld Length = 12"
Weld Size = 5/16"
Expansion Length = 567.1"



REVISIONS	
NAME	DATE

ILLINOIS DEPARTMENT OF TRANSPORTATION
PIER 26 JOINT DETAILS
F.A.I. ROUTE 90/94 SOUTHBOUND (DAN RYAN EXPRESSWAY)
OVER 28TH ST. TO S. STEWART ST.
COOK COUNTY
S.N. 016-1117 - PIER 26

SCALE: VERT.
HORIZ.
DATE: 4/7/05

DRAWN BY: HEBERLING
DESIGNED BY: SANFORD
CHECKED BY: MATHUR

COMPUTER FILE NO.
04286-W03-SB-FPJ

PROJECT 04286-W03
5/15/06-MML

FILE NAME = I:\04286\w03\drawings\spoutbound\04286-w03-sb-fpj.dgn
PLOT SCALE = 0.1" = 1'-0"
PLOT DATE = 5/16/2006
PLOT TIME = 2:35:31 PM
OPERATOR = michelbel