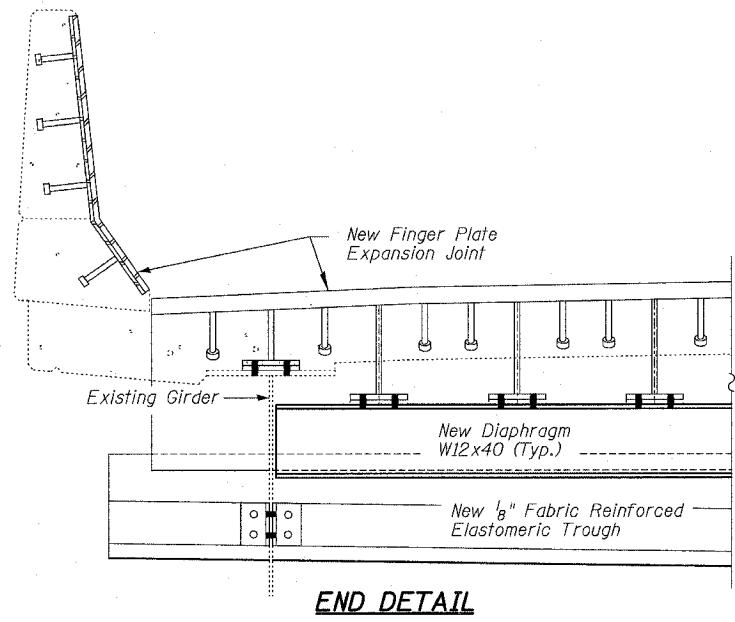
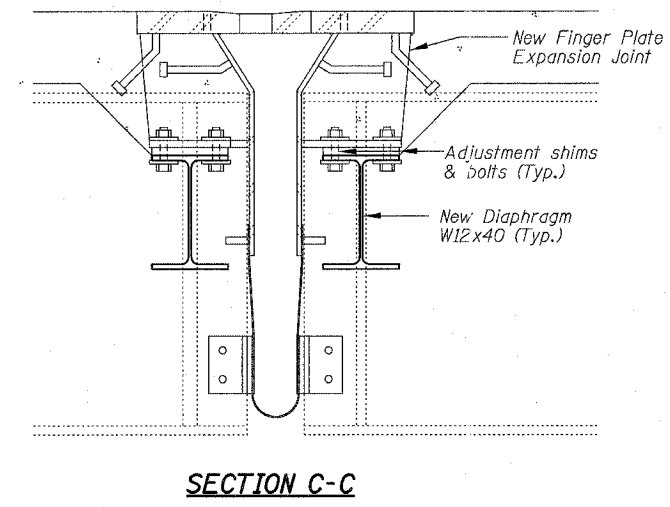
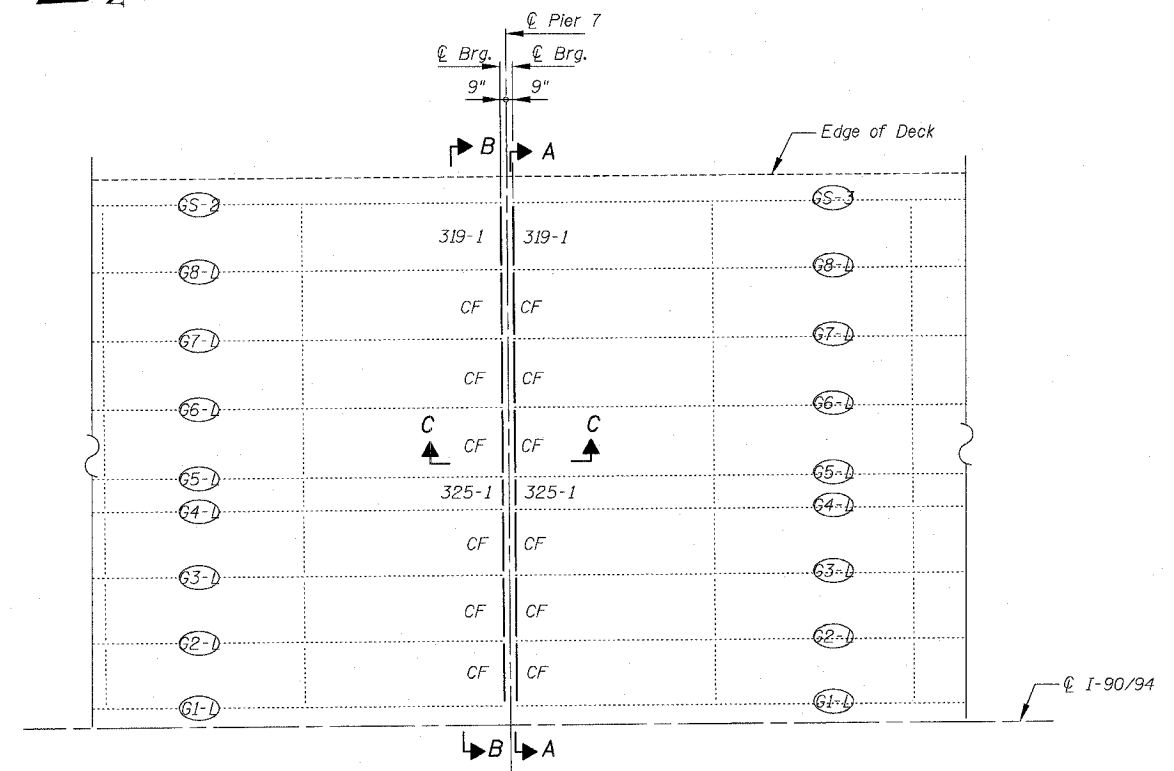
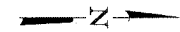
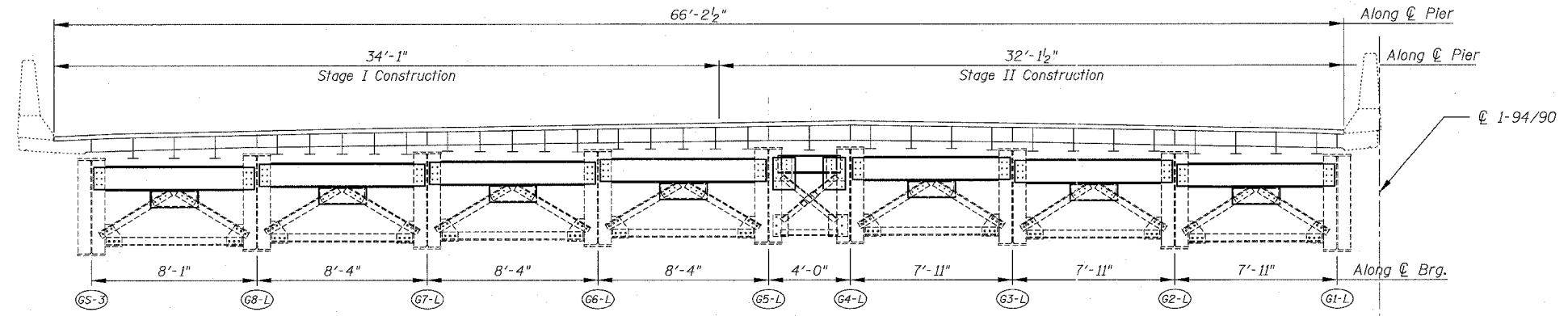


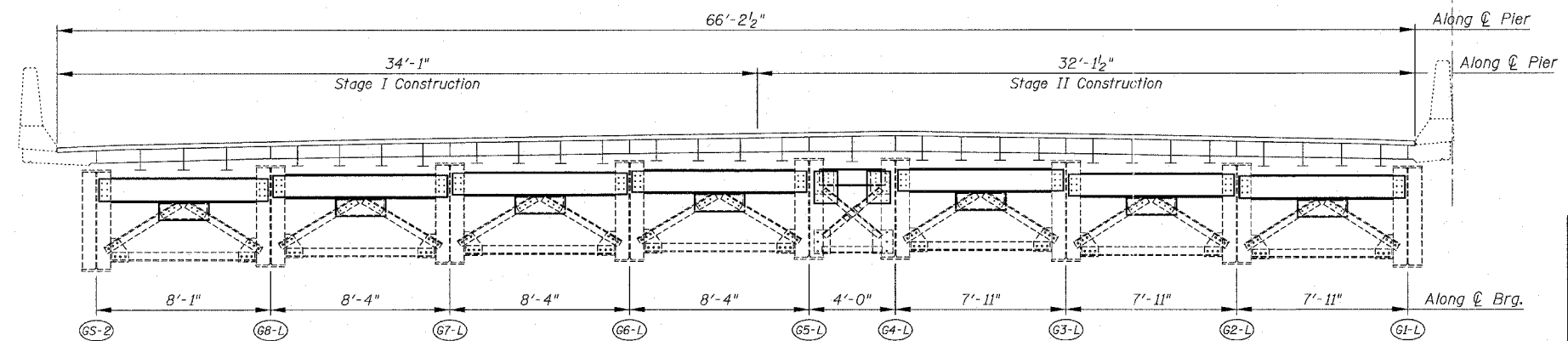
F.A.I.	SECTION	COUNTY	TOTAL SHEETS	SHEET NO.
94/90	2003-0291	COOK	344	265
STA.		TO STA.		
FED. ROAD DIST. NO.		ILLINOIS FED. AID PROJECT		
62581				



PARTIAL FRAMING PLAN



SECTION A-A



SECTION B-B

BOWMAN, BARRETT & ASSOCIATES INC.
CONSULTING ENGINEERS
Chicago, Illinois
312.228.0100
www.bbainc.com

REVISIONS	
NAME	DATE

ILLINOIS DEPARTMENT OF TRANSPORTATION
F.A.I. 94/90 (DAN RYAN EXPRESSWAY)
SB DAN RYAN ELEVATED BRIDGE
REPAIR FROM 15TH TO 28TH STREETS
DIAPHRAGM REPLACEMENT
PIER 7, SN 016-1111
SCALE: NTS
DATE: 5/25/2006
DRAWN BY: BDC
CHECKED BY: IYL

M:\9400\9400\BRIDGE\94\90\2003\0291\62581\1111\FRAME.PLT 4/28/06 4:42:05 PM