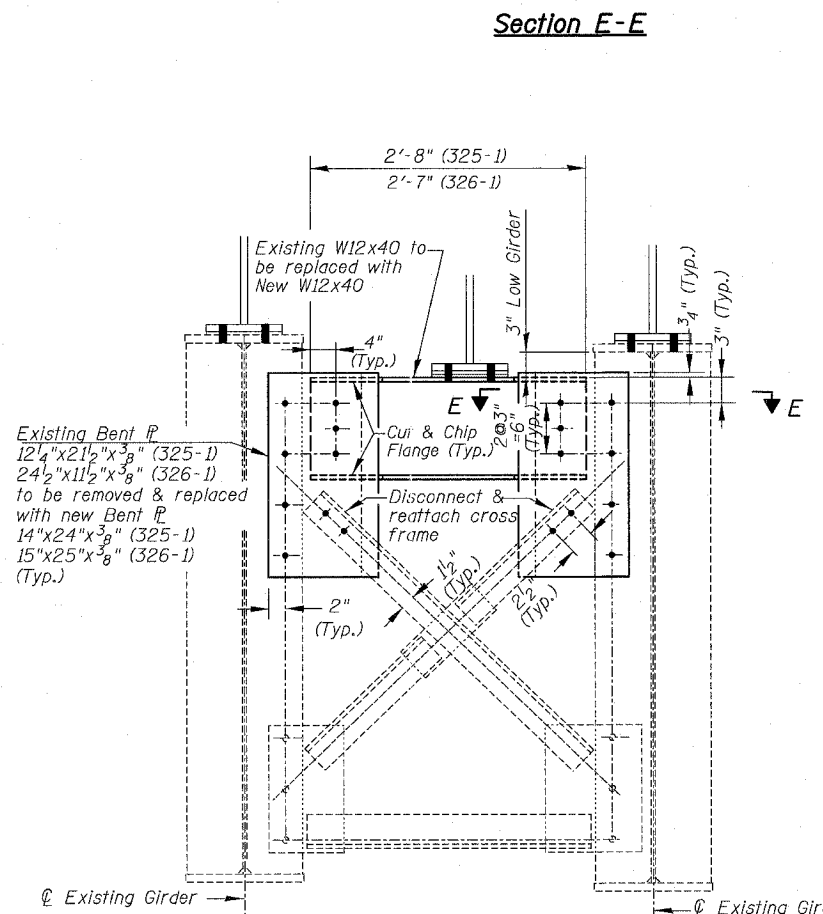
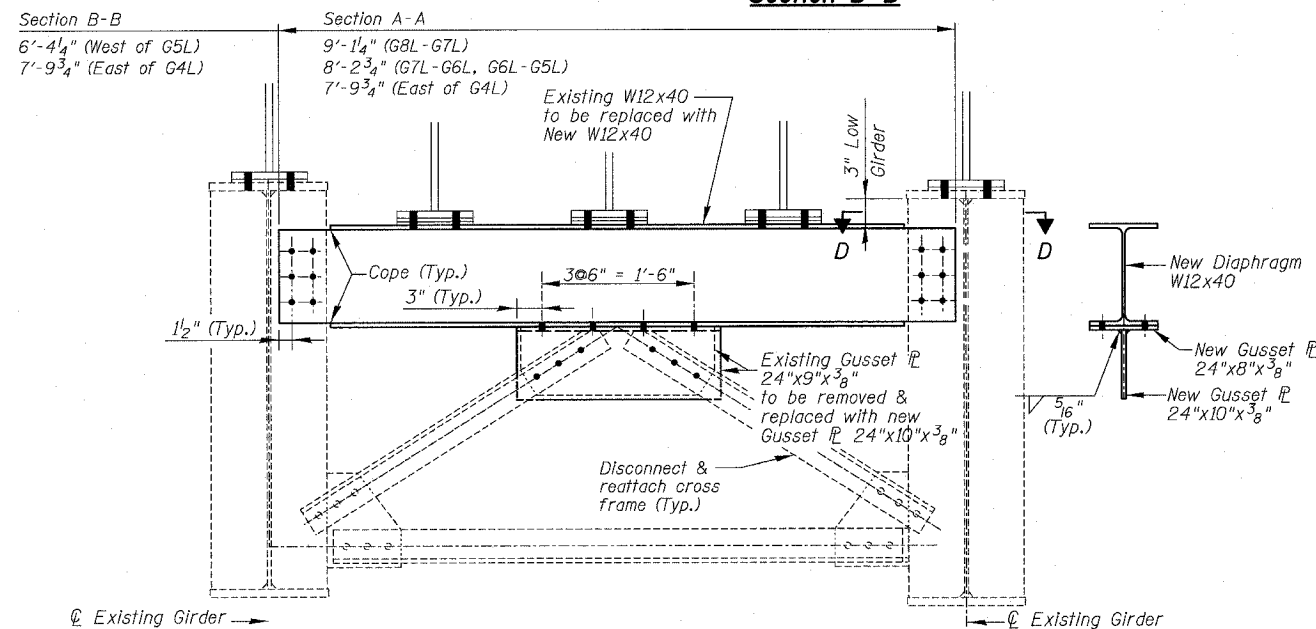
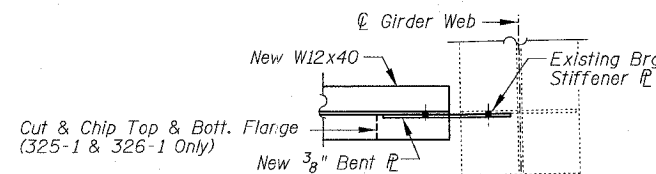
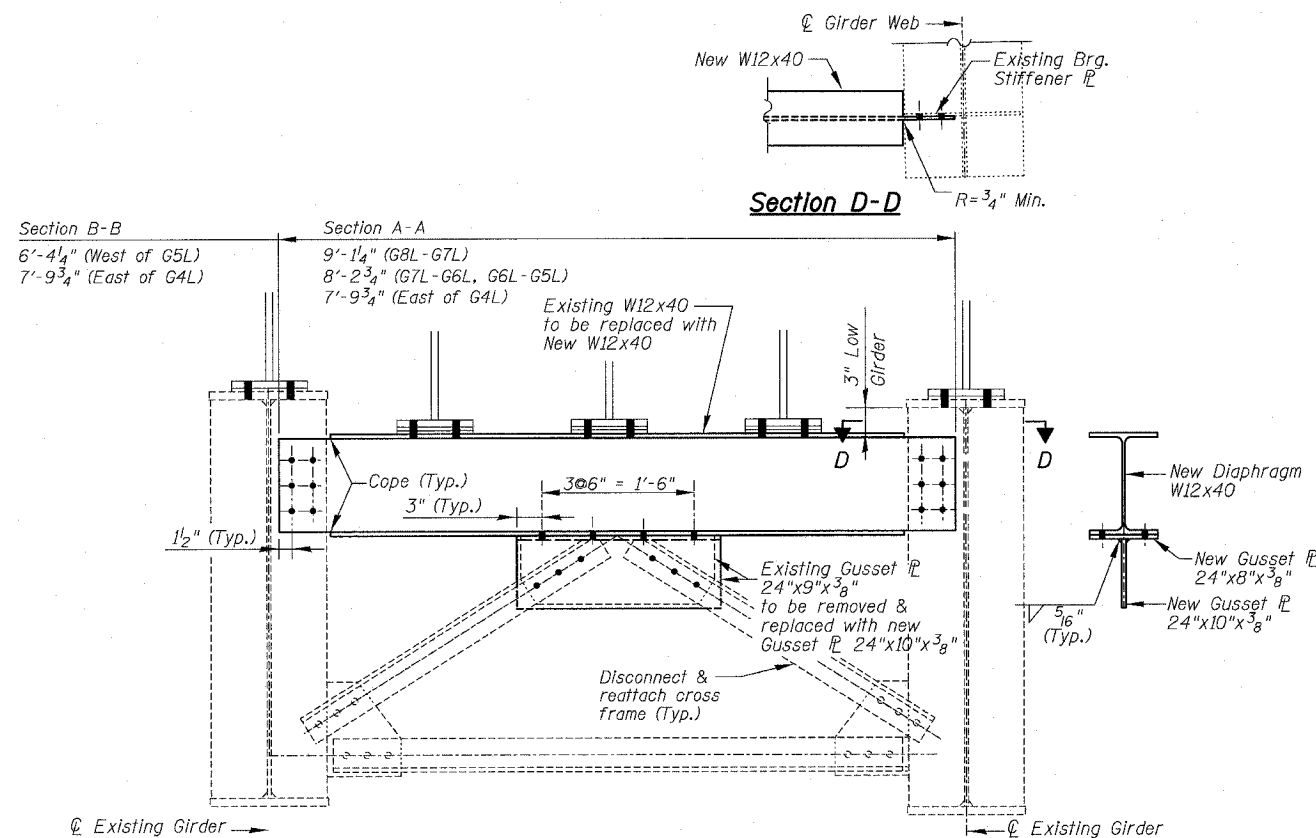


F.A.I.	SECTION	COUNTY	TOTAL SHEETS	SHEET NO.
94/90	2003-0291	COOK	344	268
STA.		TO STA.		
FED. ROAD DIST. NO.		ILLINOIS	FED. AID PROJECT	
62581				

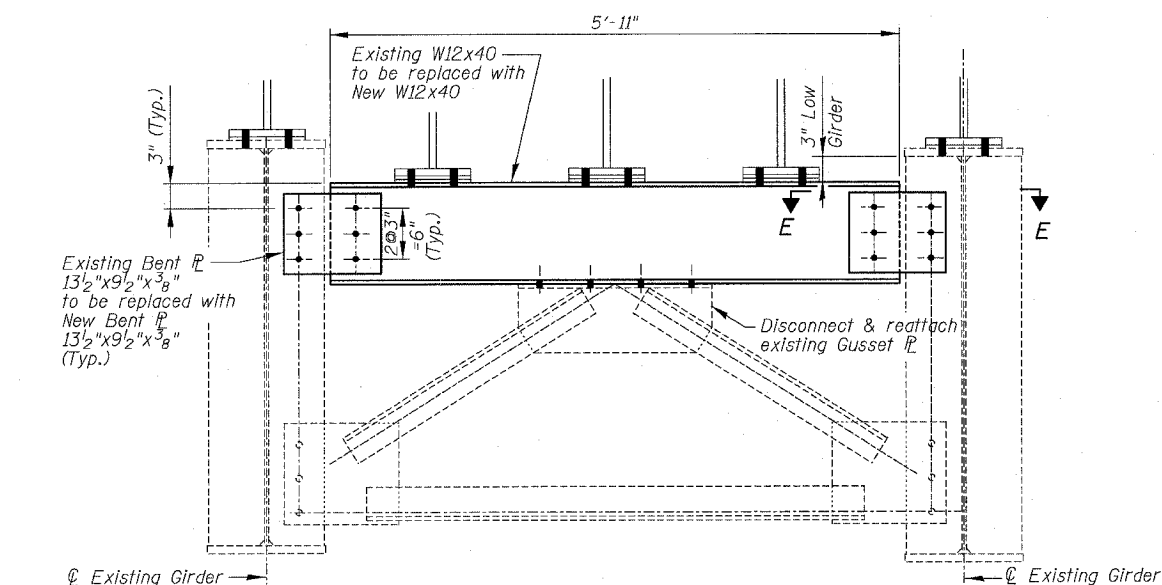


CROSS FRAME DETAIL

S.N. 016-1111	
CF	13 REQ'D

NOTES:

1. Use 7/8" H.S. bolts for all cross frame/diaphragm connections at this pier location (excluding stool connections).
2. Field drill 1 5/16" holes for 7/8" bolts. Use 2" min. edge distance for all 7/8" bolts unless otherwise noted.
3. Calculated weight of Structural Steel used for the item "Furnishing & Erecting Structural Steel" = 5,780 Lbs.



CROSS FRAME DETAIL

S.N. 016-1111	
320-1	1 REQ'D
321-1	1 REQ'D

CROSS FRAME DETAIL

S.N. 016-1111	
325-1	1 REQ'D
326-1	1 REQ'D

BILL OF MATERIAL

Item	Unit	Quantity
Furnishing & Erecting Structural Steel	Lum Sum	0.02
Structural Steel Removal	Pound	5,440

BOWMAN, BARRETT & ASSOCIATES INC.
CONSULTING ENGINEERS
Chicago, Illinois
312.228.0100
www.bbainc.com

REVISIONS		ILLINOIS DEPARTMENT OF TRANSPORTATION F.A.I. 94/90 (DAN RYAN EXPRESSWAY) SB DAN RYAN ELEVATED BRIDGE REPAIR FROM 15TH TO 28TH STREETS DIAPHRAGM REPLACEMENT PIER 2, SN 016-1111
NAME	DATE	
		SCALE: NTS
		DATE: 5/25/2006
		DRAWN BY: BOC
		CHECKED BY: IYL

4-4533.PW