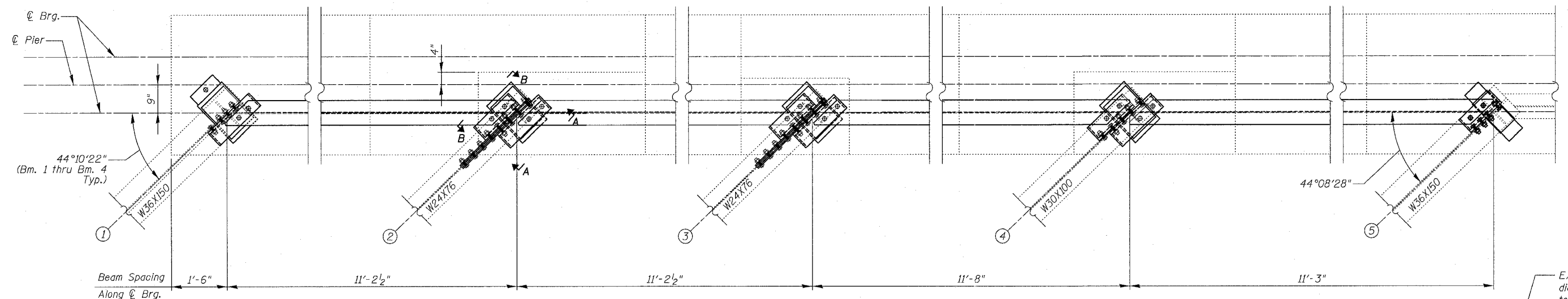
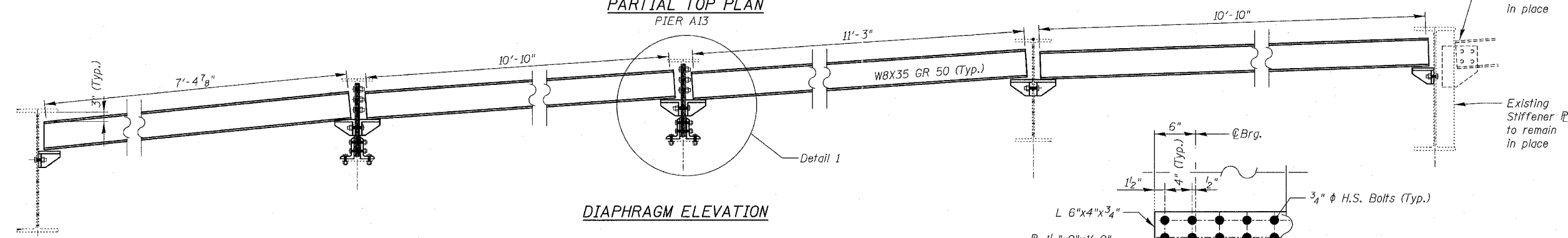


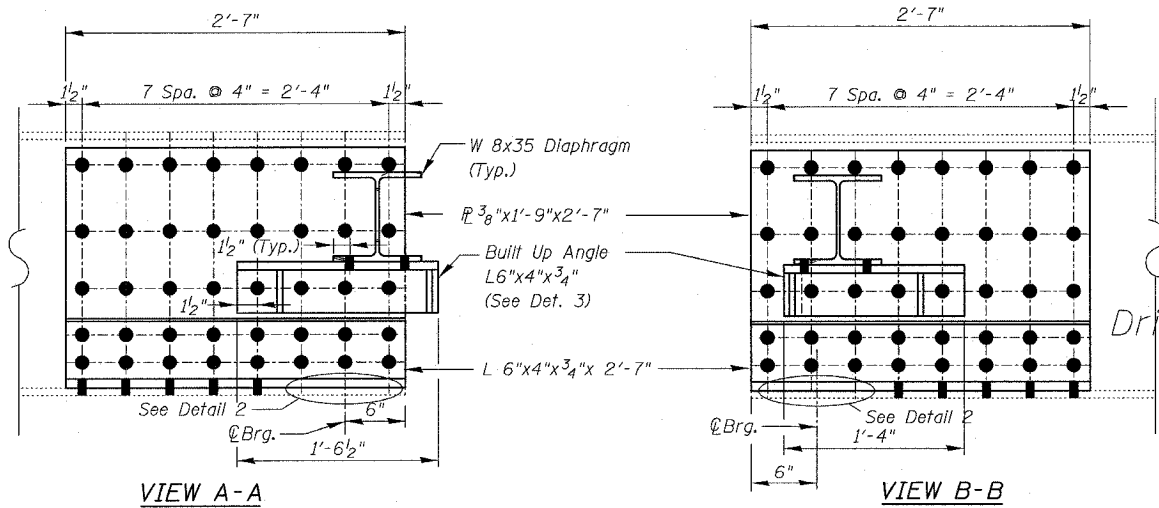
F.A.I.	SECTION	COUNTY	TOTAL SHEETS	SHEET NO.
94/90	2003-029I	COOK	344	276
STA.	TO STA.			
FED. ROAD DIST. NO.	ILLINOIS	FED. AID PROJECT		
62581				



PARTIAL TOP PLAN
PIER A13

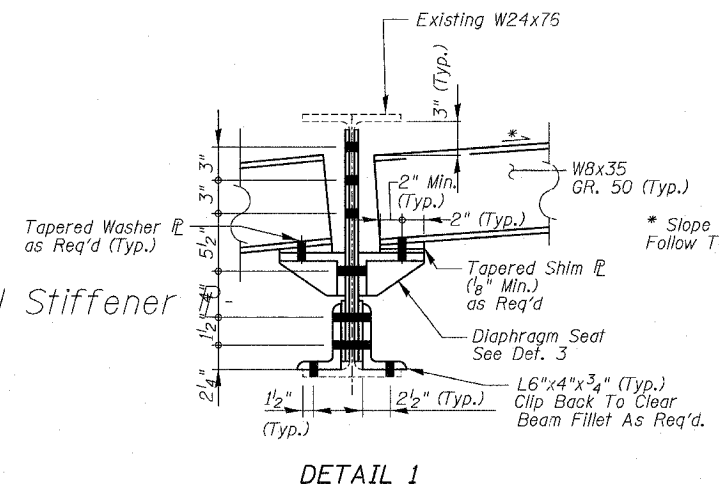


DIAPHRAGM ELEVATION

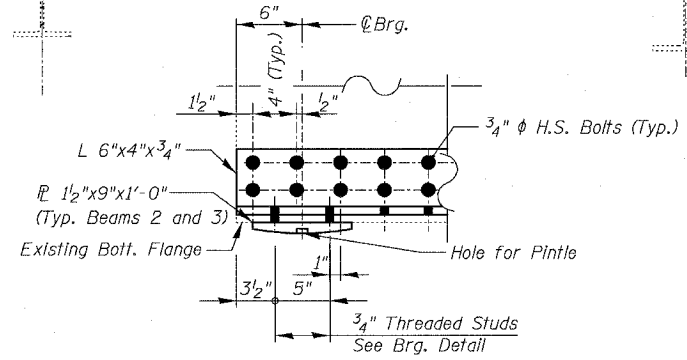


VIEW A-A

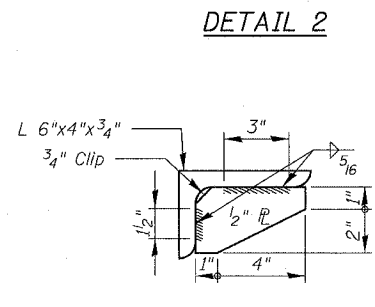
VIEW B-B



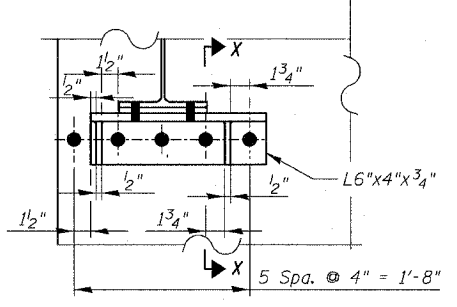
DETAIL 1



DETAIL 2



SECTION X-X



DETAIL 3

BILL OF MATERIAL

Item	Unit	Total
Structural Steel Repair	Pound	3,310

BOWMAN, BARRETT & ASSOCIATES INC.
CONSULTING ENGINEERS
Chicago, Illinois
312.228.0100
www.bbainc.com

REVISIONS	
NAME	DATE

ILLINOIS DEPARTMENT OF TRANSPORTATION
F.A.I. 94/90 (DAN RYAN EXPRESSWAY)
SB DAN RYAN ELEVATED BRIDGE
PIER A13, SN 016-1067
DIAPHRAGM/BEAM REPAIR DETAILS

SCALE: NTS
DATE: 5/25/2006

DRAWN BY: BDC
CHECKED BY: IYL

458-88 PM 5/25/2006