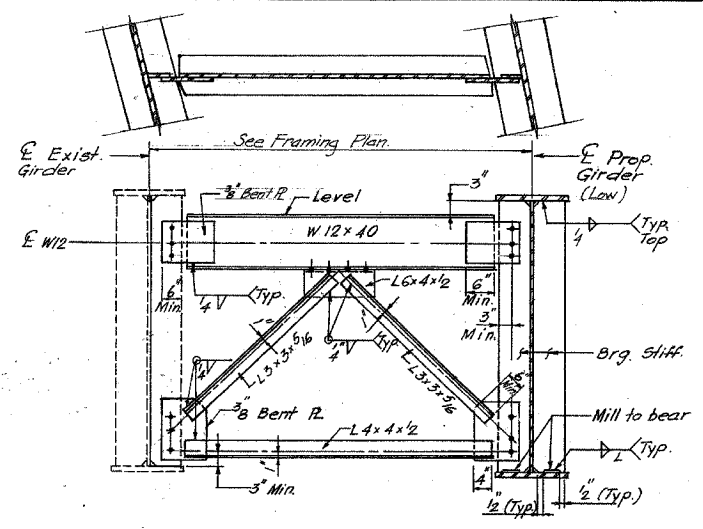
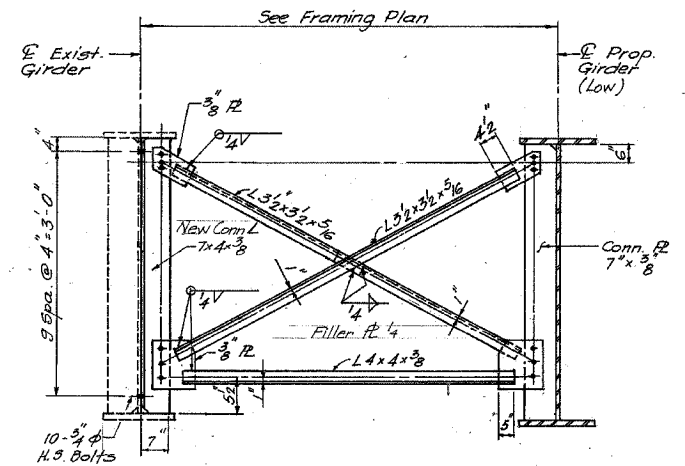


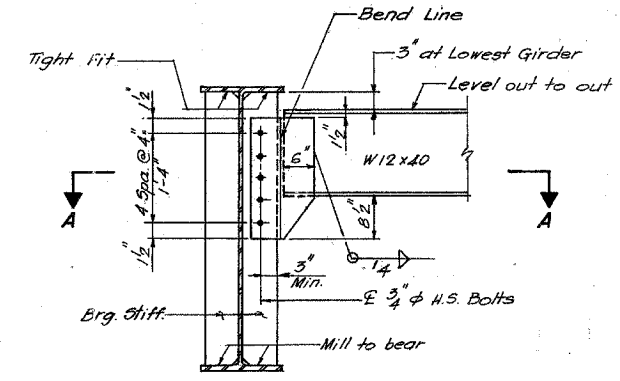
FEDERAL AID ROUTE NO.	SECTION	COUNTY	TOTAL SHEETS	SHEET NO.
90/94	*	COOK	109	33
STA.		TO STA.		
FED. RD. DIST. NO.		ILLINOIS FED. AID PROJECT		
*SECTION 1985-082 R				



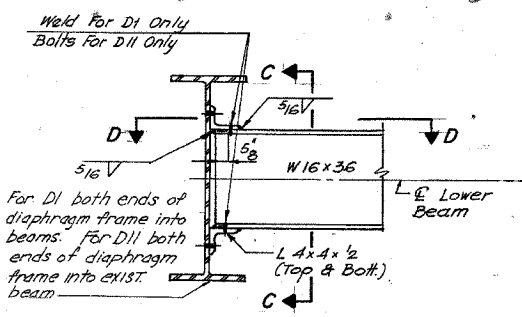
CF 1
TYPICAL END CROSS FRAME



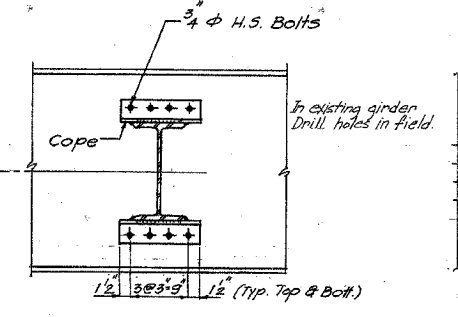
CF 2
TYPICAL INTERIOR CROSS FRAME



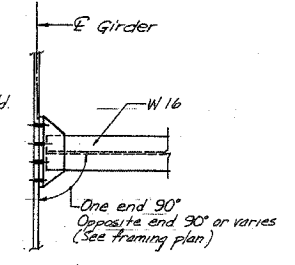
D 2
END DIAPHRAGM



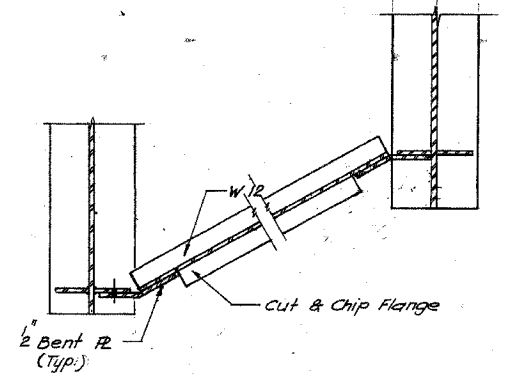
D1, D11
INTERIOR DIAPHRAGM



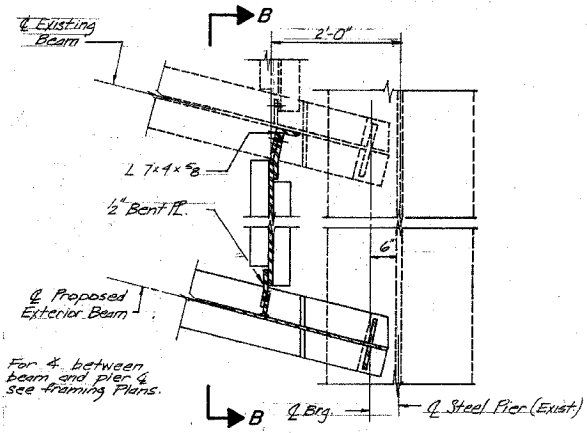
SECTION C-C



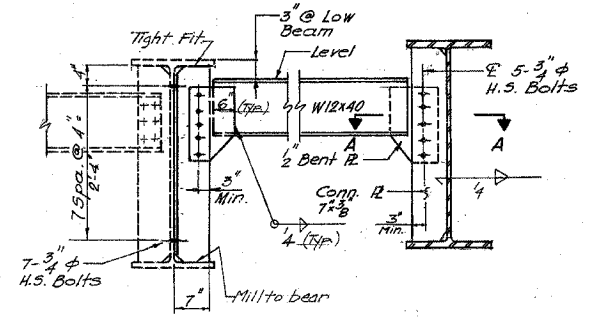
PLAN VIEW D-D



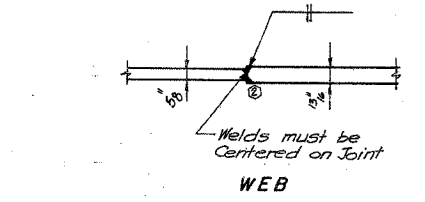
SECTION A-A



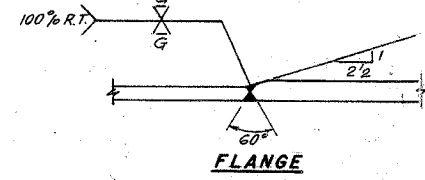
D 5
END DIAPHRAGM



SECTION B-B



WEB



FLANGE

SHOP WELD SPICE DETAIL A

ALL NEW MATERIALS SHOWN ON THIS SHEET ARE FURNISHED UNDER A SEPARATE STEEL FABRICATION CONTRACT (SECTION 1985-081F), UNLESS NOTED OTHERWISE.

SHEET J 33 OF 109

STATE OF ILLINOIS
DEPARTMENT OF TRANSPORTATION
F.A.I. ROUTE 90/94 (DAN RYAN EXPRESSWAY)
SECTION 1985-082 R BY-COOK COUNTY
S.B. MAINLINE RECONSTRUCTION
STRUCTURE 016-1067 & 1117 (RAMP 'A' & MAINLINE)
STRUCTURAL STEEL DETAILS
Scale: NONE
Date: AUGUST 14, 1987
Drawn By: E.D.
Checked By: SK
ENVIRODYNE ENGINEERS INC.
Chicago, Illinois

REVISIONS	
Name	Date
Rev.	2/5/88

REVISIONS	
NAME	DATE

ILLINOIS DEPARTMENT OF TRANSPORTATION
F.A.I. 94/90 (DAN RYAN EXPRESSWAY)
SB DAN RYAN ELEVATED BRIDGE
REPAIR FROM 15TH TO 28TH STREETS
EXISTING PLAN INFORMATION
SN 016-1117 & 016-1067
SCALE: NTS
DATE: 5/25/2006
DRAWN BY: MTR
CHECKED BY: BLU

FOR INFORMATION ONLY

BOWMAN, BARRETT & ASSOCIATES INC.
CONSULTING ENGINEERS
Chicago, Illinois
312.228.0100
www.bbainc.com