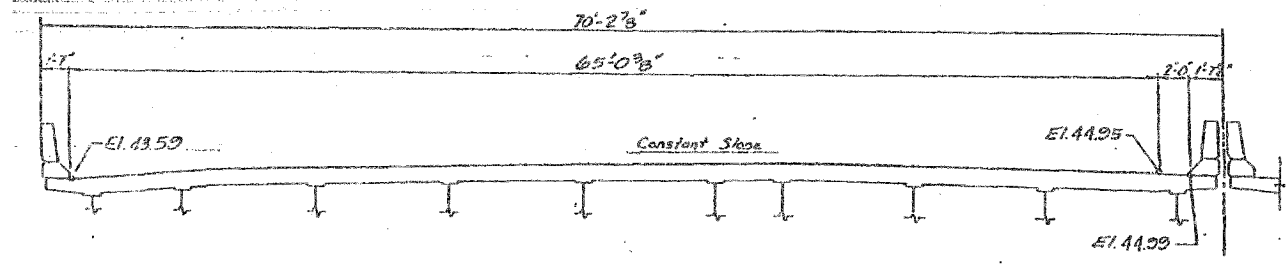
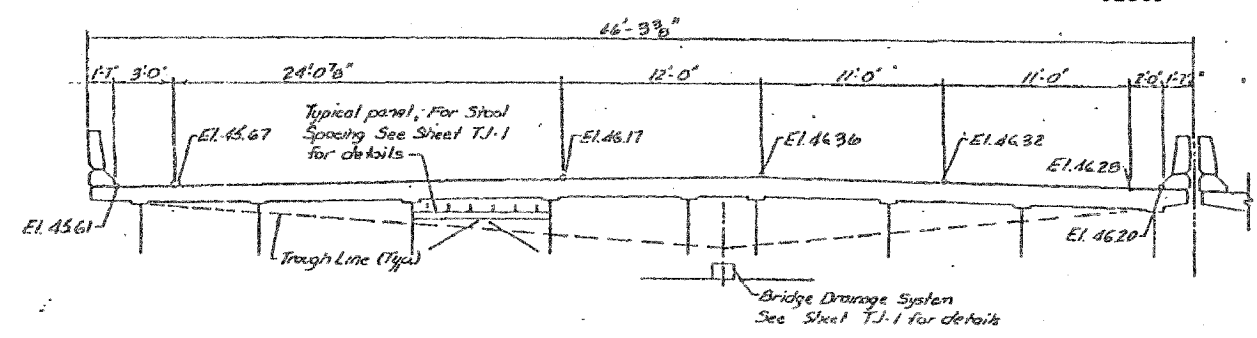


F.A.I.	SECTION	COUNTY	TOTAL SHEETS	SHEET NO.
94/90	2003-0291	COOK	344	317
STA.		TO STA.		
FED. ROAD DIST. NO.		ILLINOIS FED. AID PROJECT		

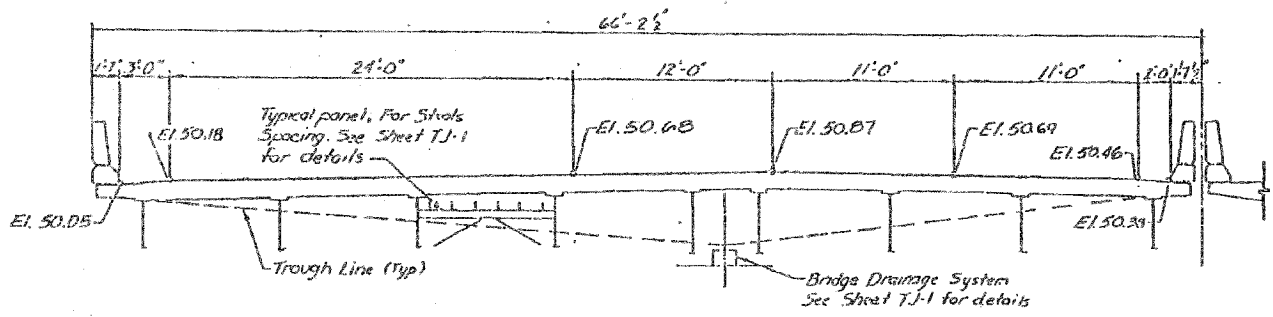
62581



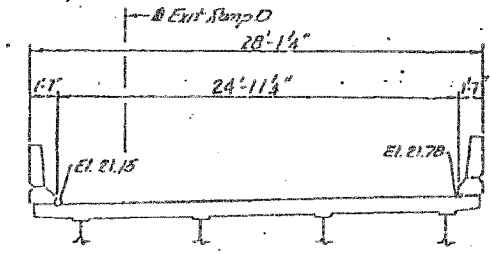
② EXPANSION JOINT AT PIER No. 1
2 1/2 in. PREFORMED JOINT SEAL



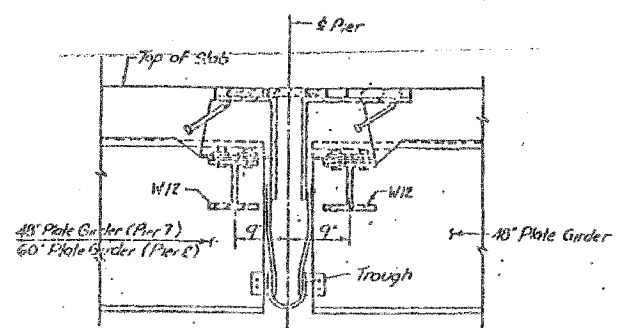
② EXPANSION JOINT AT PIER No. 2
4 1/2 in. FINGER PLATE



② EXPANSION JOINT AT PIER No. 7
4 1/2 in. FINGER PLATE



② EXPANSION JOINT AT PIER No. D7
4 in. NEOPRENE



FINGER PLATE EXPANSION JOINT
(TYPICAL CROSS SECTION)

SHEET C17 OF C 38

REVISIONS	
NAME	DATE
② Revision	2-5-06

STATE OF ILLINOIS
DEPARTMENT OF TRANSPORTATION
F.A.I. ROUTE 90/94 (DAN RYAN EXPRESSWAY)
SECTION 1985-092 B - COOK COUNTY
S.B. MAINLINE RECONSTRUCTION
STRUCTURE 016-1111
TRANSVERSE DECK JOINT ELEVATION
Scale: NONE
Date: AUGUST 14, 1997
DRAWN BY: A.V.
CHECKED BY: M.E.M.
EJMHODDY ENGINEERS INC.
Chicago, Illinois

REVISIONS	
NAME	DATE

ILLINOIS DEPARTMENT OF TRANSPORTATION
F.A.I. 94/90 (DAN RYAN EXPRESSWAY)
SB DAN RYAN ELEVATED BRIDGE
REPAIR FROM 15TH TO 28TH STREETS
EXISTING PLAN INFORMATION
SN 016-1111
SCALE: NTS
DATE: 5/25/2006
DRAWN BY: MTR
CHECKED BY: BLU

FOR INFORMATION ONLY

BOWMAN, BARRETT & ASSOCIATES INC.
CONSULTING ENGINEERS
Chicago, Illinois
312.228.0100
www.bbainc.com

4-4060 TM 5/23/2006