

F.A.P. RTE.	SECTION	COUNTY	TOTAL SHEETS	SHEET NO.
541	2004-121 TS	LAKE	19	15
STA.		TO STA.		
FED. ROAD DIST. NO. 1 ILLINOIS FED. AID PROJECT				
CONTRACT NO. 62887				

THE FOLLOWING EXISTING TRAFFIC SIGNAL EQUIPMENT SHALL BE REMOVED BY THE CONTRACTOR, SHALL REMAIN THE PROPERTY OF THE STATE AND SHALL BE DELIVERED BY THE CONTRACTOR TO THE STATE'S TRAFFIC SIGNAL MAINTENANCE CONTRACTOR'S MAIN FACILITY AS PER THE TRAFFIC SIGNAL SPECIFICATION.

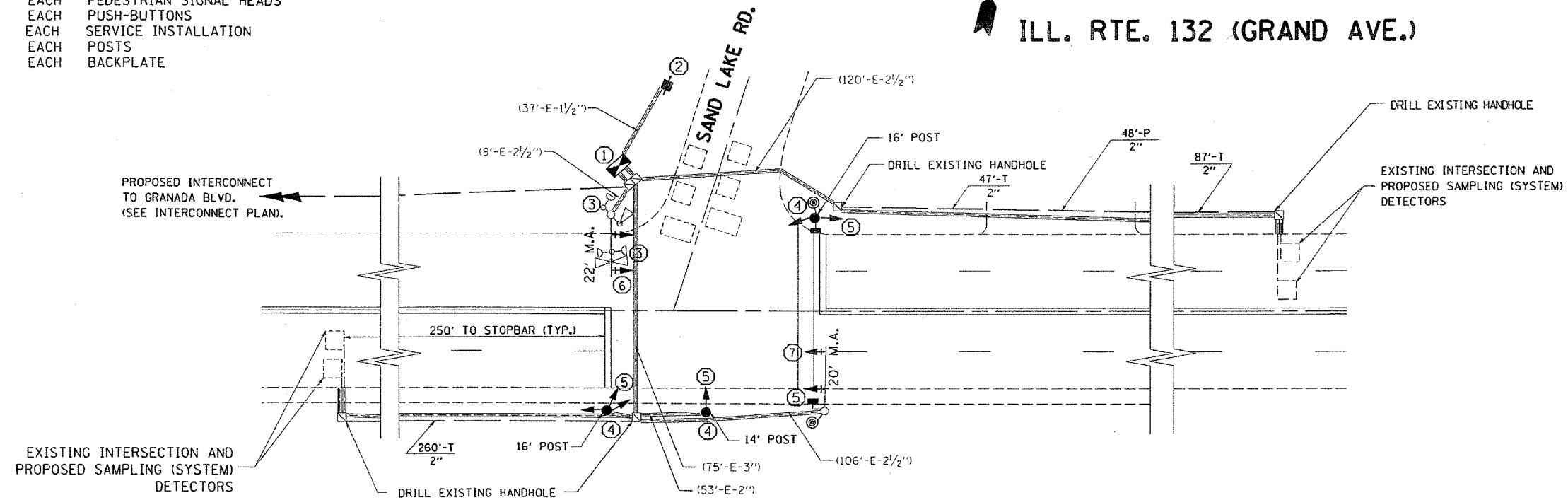
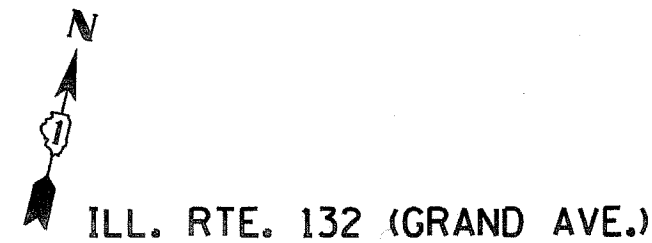
1 EACH CONTROLLER AND CABINET, COMPLETE

THE FOLLOWING ITEMS SHALL BE REMOVED BY THE CONTRACTOR AND SHALL BE DISPOSED OF BY THEM OUTSIDE OF THE RIGHT-OF-WAY AT THEIR EXPENSE. THE SALVAGE VALUE OF THE REMOVED EQUIPMENT SHALL BE REFLECTED IN THE CONTRACTOR BID PRICE.

- 3 EACH SIGNAL HEADS, 3-SECTION
- 2 EACH SIGNAL HEADS, 2-FACE, 1-3 SECTION, 1-5-SECTION
- 1 EACH SIGNAL HEAD, 3-SECTIONS, M.A. MNTED.
- 1 EACH SIGNAL HEAD, 5-SECTIONS, M.A. MNTED.
- 2 EACH PEDESTRIAN SIGNAL HEADS
- 2 EACH PUSH-BUTTONS
- 1 EACH SERVICE INSTALLATION
- 3 EACH POSTS
- 2 EACH BACKPLATE

TRAFFIC SIGNAL LEGEND

	PROPOSED	EXISTING
CONTROLLER CABINET		
RAILROAD CONTROL CABINET		
SERVICE INSTALLATION, (P) POLE OR (G) GROUND MOUNT		
TELEPHONE CONNECTION		
SIGNAL HEAD		
SIGNAL HEAD WITH BACKPLATE		
SIGNAL HEAD OPTICALLY PROGRAMMED		
SIGNAL HEAD PEDESTRIAN		
ILLUMINATED SIGN "NO LEFT TURN"		
ILLUMINATED SIGN "NO RIGHT TURN"		
SIGNAL POST		
WOOD POLE		
STEEL MAST ARM ASSEMBLY AND POLE		
ALUMINUM MAST ARM ASSEMBLY AND POLE		
STEEL COMBINATION MAST ARM ASSEMBLY AND POLE WITH LUMINAIRE		
JUNCTION BOX		
HANDHOLE		
HEAVY DUTY HANDHOLE		
DOUBLE HANDHOLE		
G.S. CONDUIT IN TRENCH OR PUSHED		
COMMON TRENCH		
UNIT DUCT		
PEDESTRIAN PUSHBUTTON DETECTOR		
DETECTOR LOOP, TYPE I		
PERFORMED DETECTOR LOOP		
EMERGENCY VEHICLE SYSTEM DETECTOR		
CONFIRMATION BEACON		



- CONSTRUCTION NOTES:**
- 1 REMOVE EXISTING CONTROLLER AND CABINET. INSTALL A NEW CONTROLLER TYPE IV CABINET. RELOCATE EXISTING EMERGENCY VEHICLE PRIORITY SYSTEM PHASING UNIT TO NEW CONTROLLER CABINET INCLUDED IN COST OF THE NEW CONTROLLER AND CABINET.
 - 2 REMOVE EXISTING SERVICE CABLE AND SERVICE. INSTALL NEW SERVICE, SERVICE CABLES, AND GROUND CABLES.
 - 3 RELOCATION OF THE LIGHT DETECTOR AMPLIFIERS FROM THE OLD CONTROLLER CABINET TO THE NEW CABINET IS NECESSARY. THE COST OF THIS WORK SHALL BE INCLUDED IN THE COST OF THE NEW CONTROLLER AND CABINET.
 - 4 REMOVE EXISTING TRAFFIC SIGNAL POSTS AND REPLACE WITH NEW GALVANIZED STEEL POSTS USING EXISTING FOUNDATION.
 - 5 REMOVE EXISTING TRAFFIC SIGNAL HEADS AND PEDESTRIAN SIGNALS AND REPLACE THEM WITH NEW L.E.D. SIGNAL.
 - 6 REMOVE EXISTING TRAFFIC SIGNAL HEADS AND REPLACE WITH NEW L.E.D., 1 FACE 3-SECTION, MAST ARM MOUNTED AND TRAFFIC SIGNAL BACKPLATE.
 - 7 REMOVE EXISTING TRAFFIC SIGNAL HEADS AND REPLACE WITH NEW L.E.D., 1 FACE 5-SECTION, MAST ARM MOUNTED AND TRAFFIC SIGNAL BACKPLATE.

RESTORATION OF WORK AREA. RESTORATION OF THE TRAFFIC SIGNAL WORK AREA SHALL BE INCLUDED IN THE RELATED PAY ITEMS SUCH AS FOUNDATION, CONDUIT, HANDHOLE, TRENCH AND BACKFILL, ETC. ALL ROADWAY SURFACES SUCH AS SHOULDERS, MEDIANS, SIDEWALKS, PAVEMENT, ETC. SHALL BE REPLACED IN KIND. ALL DAMAGE TO MOWED LAWNS SHALL BE REPLACED WITH AN APPROVED SOD AND ALL DAMAGE TO UNMOWED FIELDS SHALL BE SEEDED. RESTORATION OF THE WORK AREA SHALL BE INCIDENTAL TO THE CONTRACT WITHOUT ANY EXTRA COMPENSATION ALLOWED TO THE CONTRACTOR.

NOTE:
THE TRAFFIC SIGNAL CONTROL EQUIPMENT FOR THIS PROJECT SHALL BE "EAGLE" TO MATCH THE EXISTING ADJACENT SYSTEM.

NOTE:
ALL TRAFFIC SIGNAL HEADS SHALL BE L.E.D. (LIGHT EMITTING DIODE).

REVISIONS		ILLINOIS DEPARTMENT OF TRANSPORTATION TRAFFIC SIGNAL MODERNIZATION PLAN IL. RTE. 132 AT SAND LAKE RD.
NAME	DATE	
		SCALE: VERT. 1"=20' HORIZ. 1"=20' DATE 5/3/2006 DRAWN BY: BCK DESIGNED BY: BCK CHECKED BY: DAD