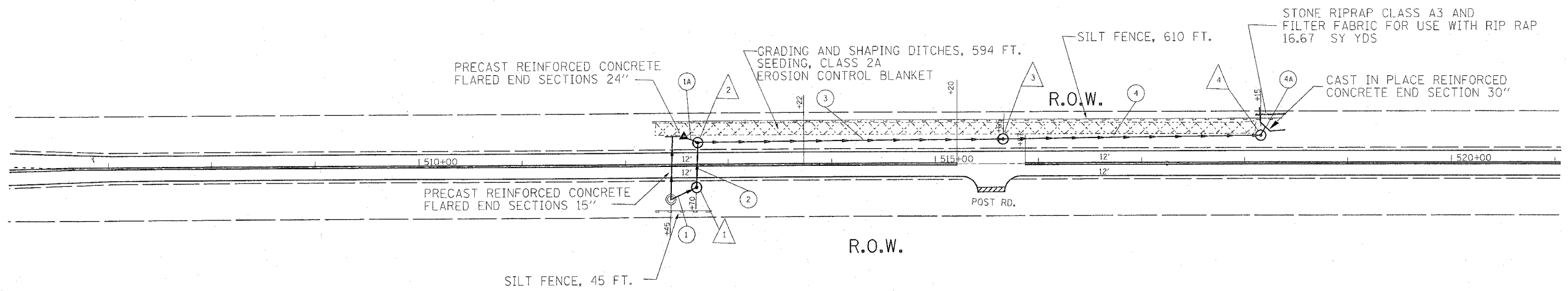


F.A.J. RTE.	SECTION	COUNTY	TOTAL SHEETS	SHEET NO.
158I	3098_RS-4	COOK	32	17
STA.		TO STA.		
FED. ROAD DIST. NO.		ILLINOIS	FED. AID PROJECT	



McCARTHY ROAD



PLOT DATE = 4/2/2006  
 FILE NAME = c:\projects\158I\158I\158I\_RS-4.dwg  
 USER NAME = borkel

REVISIONS	
NAME	DATE

ILLINOIS DEPARTMENT OF TRANSPORTATION

**MCCARTHY ROAD  
 PROPOSED DRAINAGE PLANS  
 AND EROSION CONTROL PLANS**

SCALE: VERT. \_\_\_\_\_  
 HORIZ. \_\_\_\_\_

DATE \_\_\_\_\_ DRAWN BY \_\_\_\_\_  
 CHECKED BY \_\_\_\_\_