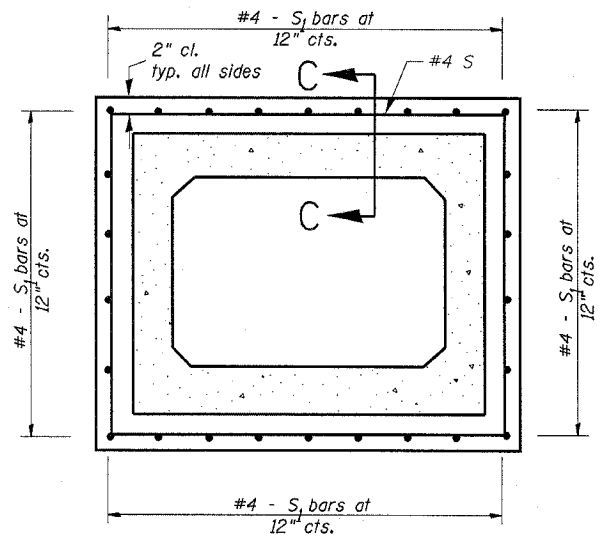
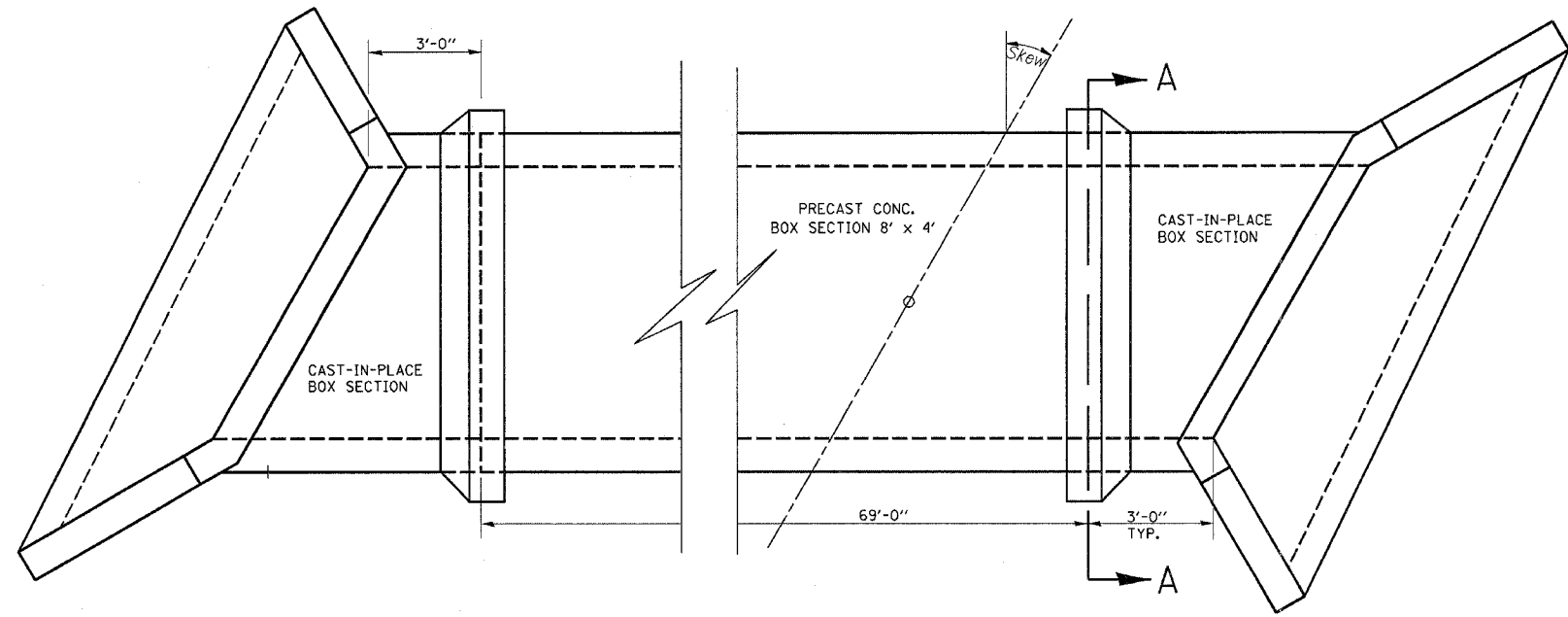


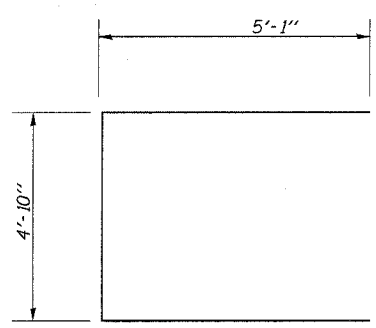
F.A.P. RTE.	SECTION	COUNTY	TOTAL SHEETS	SHEET NO.
311	IN & TS	KENDALL	174	72
STA. 67+00		TO STA.		
FED. ROAD DIST. NO.		ILLINOIS		FED. AID PROJECT



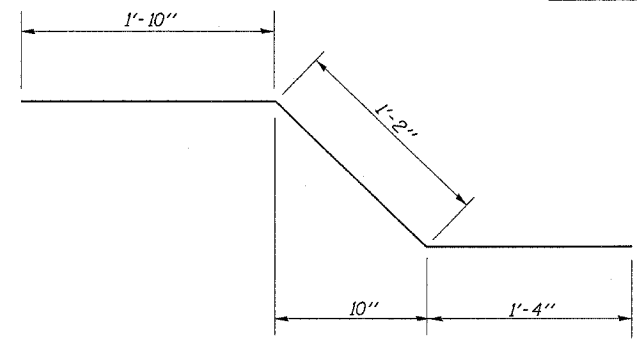
**BILL OF MATERIALS**

BAR	NO	SIZE	LENGTH	SHAPE
S	12	4	15' - 0"	
S <sub>1</sub>	52	4	3' - 6"	
REINFORCEMENT BARS POUND				241.8

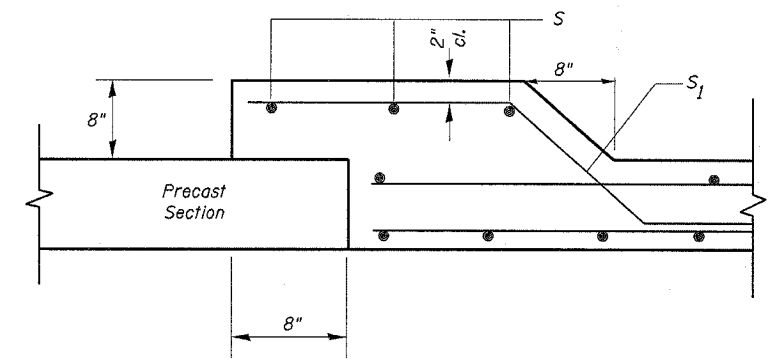
**PLAN**



**BAR S**



**BAR S<sub>1</sub>**



**SECTION C-C**

MIN. LAP SPLICE		
Bar	Min. Lap Splice	
	Barrels	Wingwalls
#4	1'-4"	1'-8"
#5	1'-8"	2'-2"

REVISIONS	
NAME	DATE

ILLINOIS DEPARTMENT OF TRANSPORTATION  
**CULVERTS AND WINGWALLS**  
**DETAIL STA. 67 + 00**  
 SCALE: VERT. \_\_\_\_\_  
 HORIZ. \_\_\_\_\_  
 DATE \_\_\_\_\_  
 DRAWN BY \_\_\_\_\_  
 CHECKED BY \_\_\_\_\_