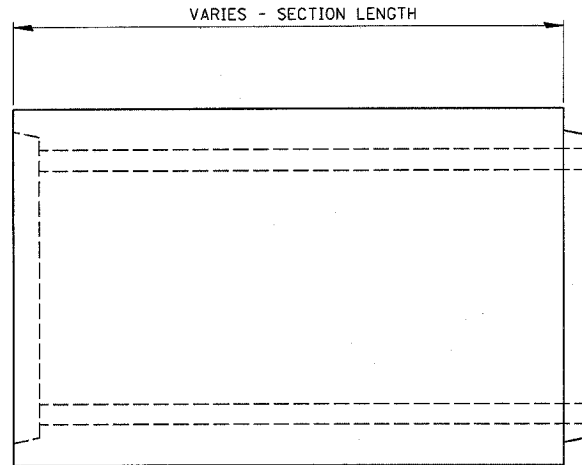
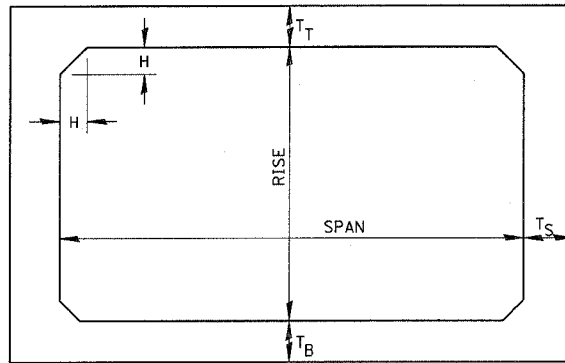


F.A.P. RTE.	SECTION	COUNTY	TOTAL SHEETS	SHEET NO.
311	IN & TS	KENDALL	174	74
STA.		TO STA.		
FED. ROAD DIST. NO.	ILLINOIS	FED. AID PROJECT		



ELEVATION



NOTE: THE HAUNCH DIMENSION H, IS EQUAL TO THE WALL THICKNESS T_S.

TYPICAL BOX SECTION

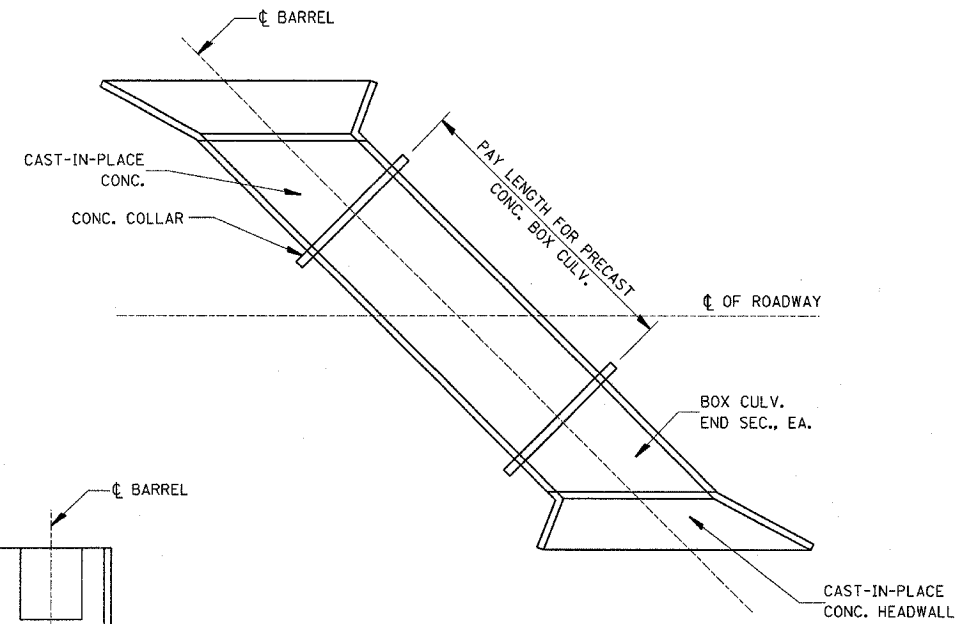
SPAN, FEET	T _T , INCHES		T _B , INCHES		T _S , INCHES	
	M 259	M 273	M 259	M 273	M 259	M 273
* 3	4	7	4	6	4	4
4	5	7 1/2	5	6	5	5
** 5	6	8	6	7	6	6
6	7	8	7	7	7	7
7	8	8	8	8	8	8
*** 8	8	8	8	8	8	8
9	9	9	9	9	9	9
10	10	10	10	10	10	10
11	11	11	11	11	11	11
12	12	12	12	12	12	12

TYPICAL THICKNESSES

* STA. 82+00
 ** STA. 90+70
 *** STA. 67+00

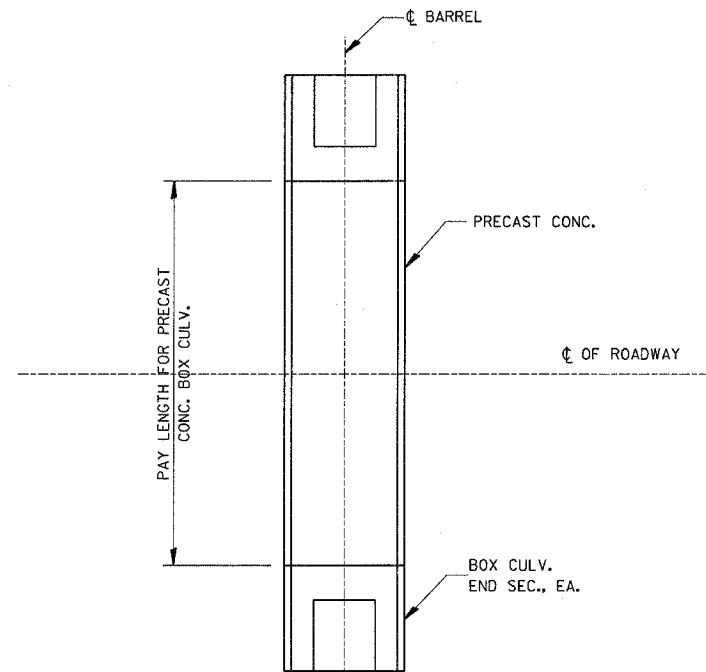
GENERAL NOTES:

MINIMUM COVER FOR BOX CULVERTS SHALL BE 6".



PAY LENGTH FOR PRECAST CONCRETE BOX CULVERT SKEWED WITH ROADWAY

N.T.S.
 STA. 67+00



PAY LENGTH FOR PRECAST CONCRETE BOX CULVERT AT RIGHT ANGLES WITH ROADWAY

N.T.S.
 STA. 82+00
 STA. 90+70

REVISIONS	
NAME	DATE

ILLINOIS DEPARTMENT OF TRANSPORTATION

PRECAST CONCRETE BOX SECTION

DATE _____ DRAWN BY _____ CHECKED BY _____