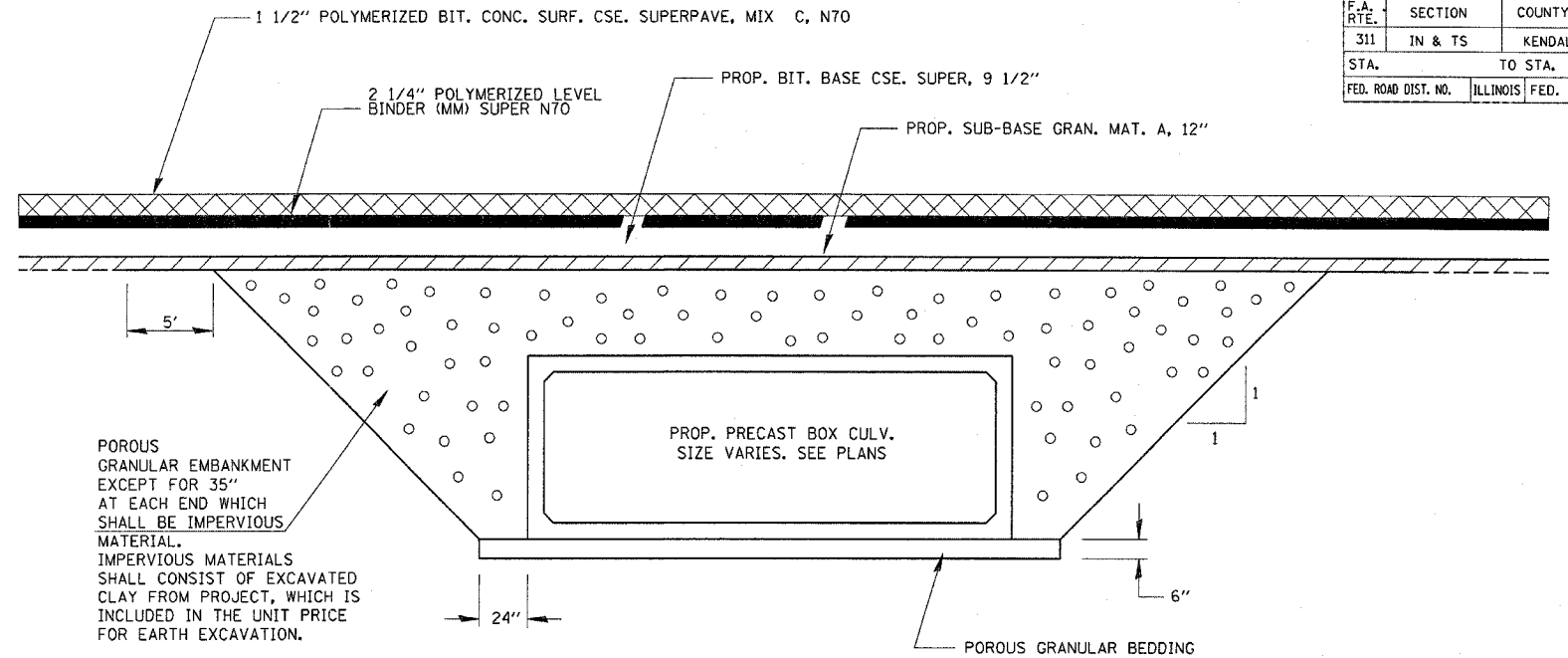


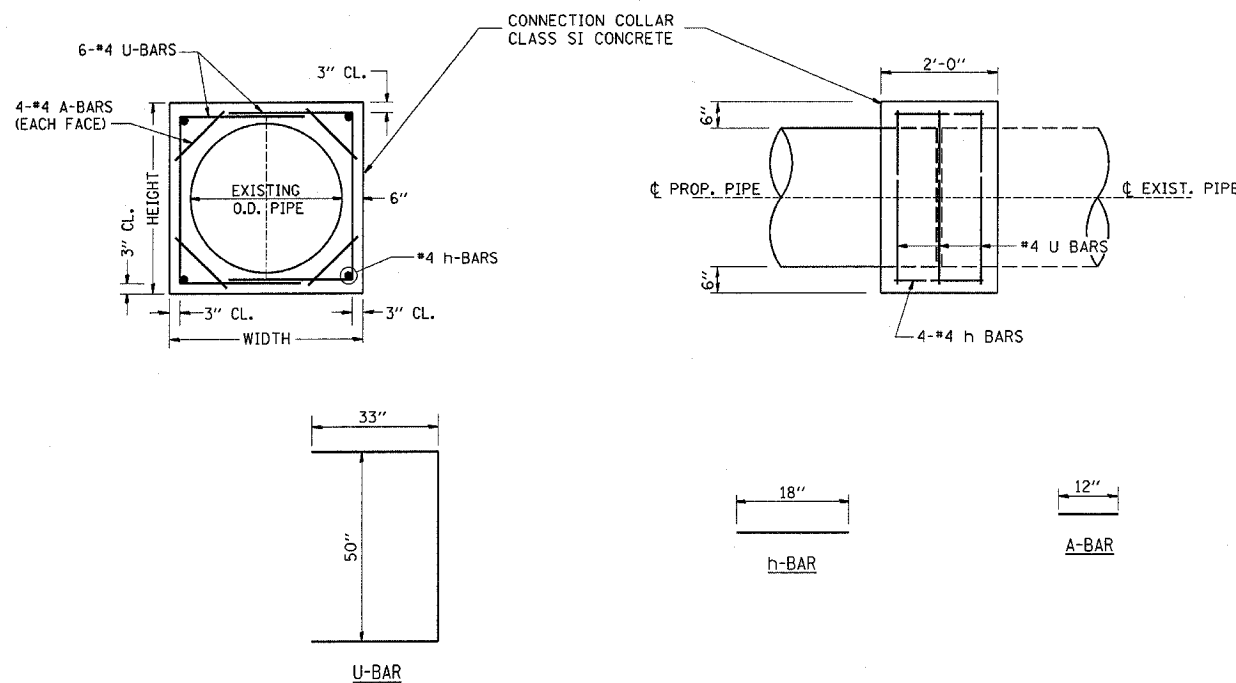
F.A. RTE.	SECTION	COUNTY	TOTAL SHEETS	SHEET NO.
311	IN & TS	KENDALL	174	76
STA.		TO STA.		
FED. ROAD DIST. NO.		ILLINOIS FED. AID PROJECT		



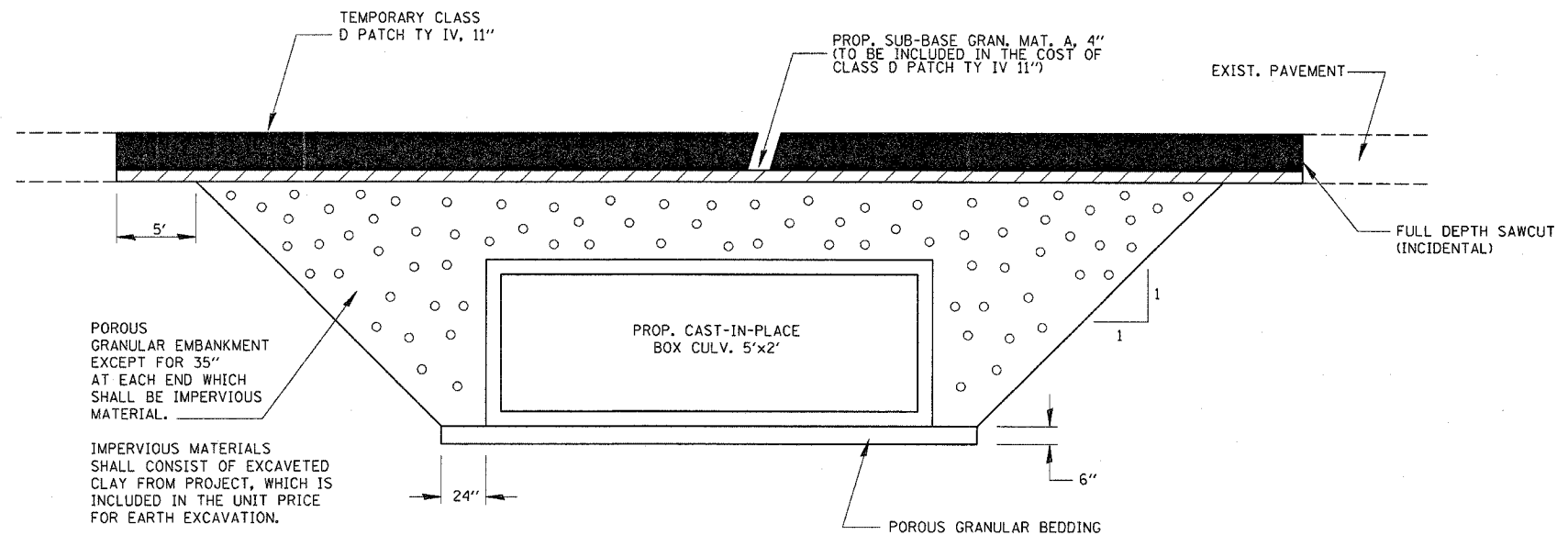
SECTION THROUGH PRECAST BOX CULVERT

STA. 82+00: 3'x2'
 STA. 90+70: 5'x2'
 STA. 67+00: 8'x4'

LOCATION	EXIST CULVERT SIZE	EXTENSION COLLAR		A-BAR	U-BAR	H-BAR	CONCRETE COLLAR	REINFORCEMENT BARS
STATION	INCH	INCH	INCH	NO.	NO.	NO.	CU YD	POUND
567+23	36	56	56	8	6	4	0.8	50



COLLAR DETAIL (DIRECT PIPE CULVERT EXTENSION)



TEMP. PATCH @ PRECAST BOX CULVERT

STA. 90+70

REVISIONS	
NAME	DATE

ILLINOIS DEPARTMENT OF TRANSPORTATION

DETAILS

SCALE: VERT.
 HORIZ.
 DATE

DRAWN BY
 CHECKED BY