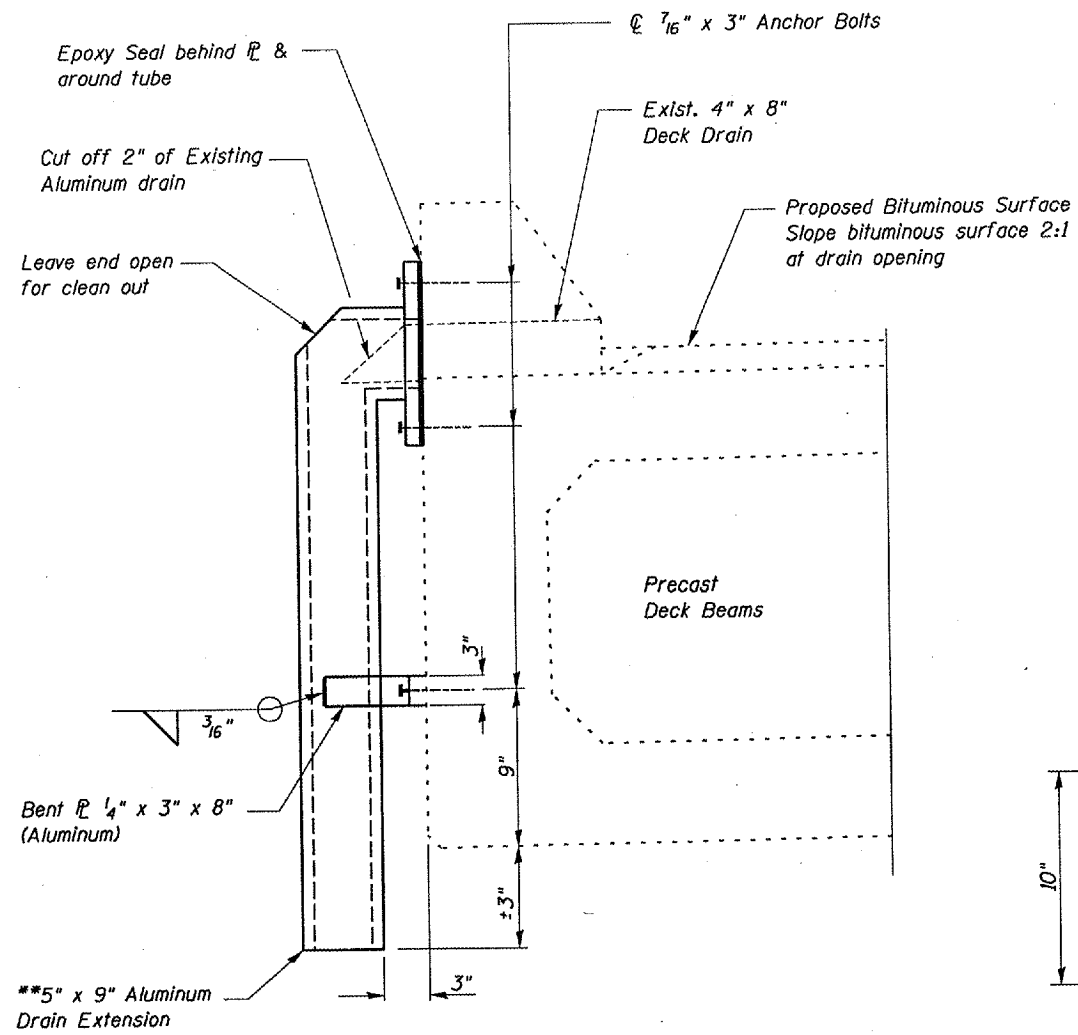


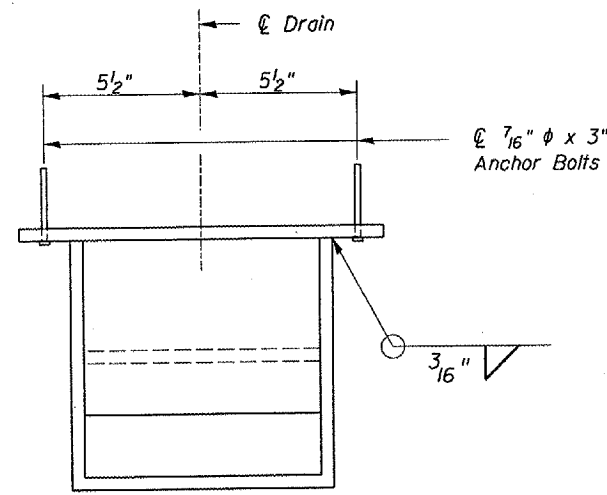
FAP RTE.	SECTION	COUNTY	TOTAL SHEETS	SHEET NO.
317	(25B-1)I	LIVINGSTON	21	11
STA. 472+94.25 TO STA. 474+79.75				



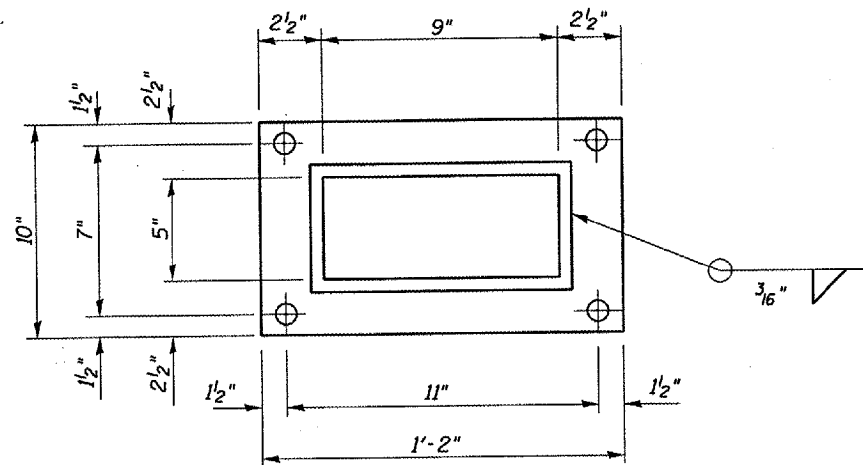
CURB SECTION

**3/16" Aluminum Sheets (Welded)
ASTM: B209 alloy 6061-T6

The Contractor shall "Field" measure the drain extensions prior to ordering of materials.

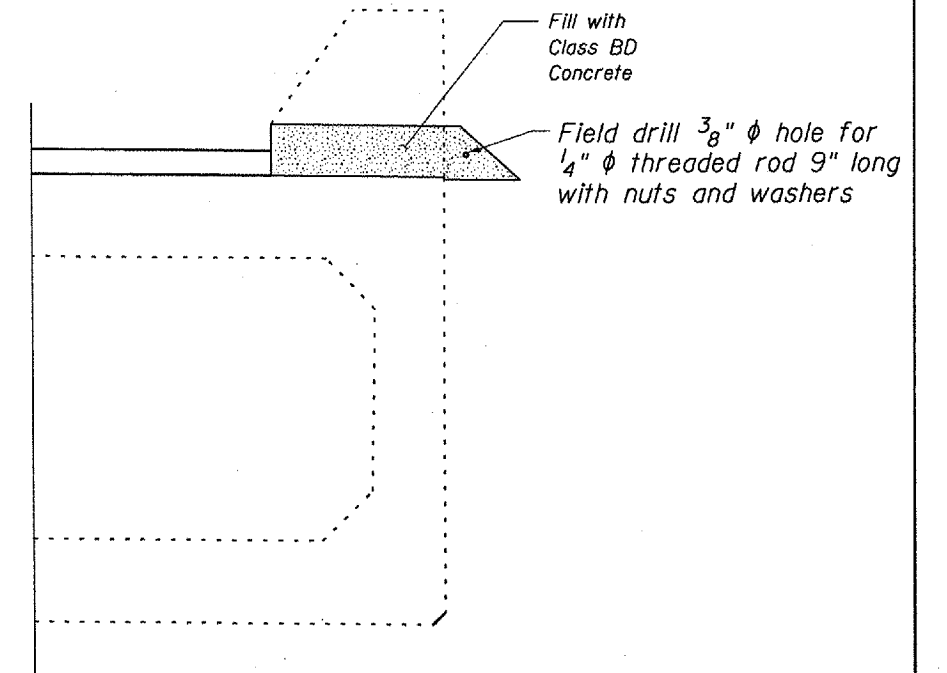


TOP PLAN



SECTION A-A

P 1/4" x 10" x 1'-2" (Aluminum)



CURB SECTION

FLOOR DRAIN PLUG DETAILS

FLOOR DRAIN EXTENSION DETAILS

DATE: 09/27/2005
FILE: c:\projects\cmeir\05\cm322\details.dgn

REVISIONS	
NAME	DATE

ILLINOIS DEPARTMENT OF TRANSPORTATION
FLOOR DRAIN DETAILS
FAP ROUTE 317 SECTION (25B-1)I
LIVINGSTON COUNTY
STA. 473+87

DATE 09/27/2005

DRAWN BY RW