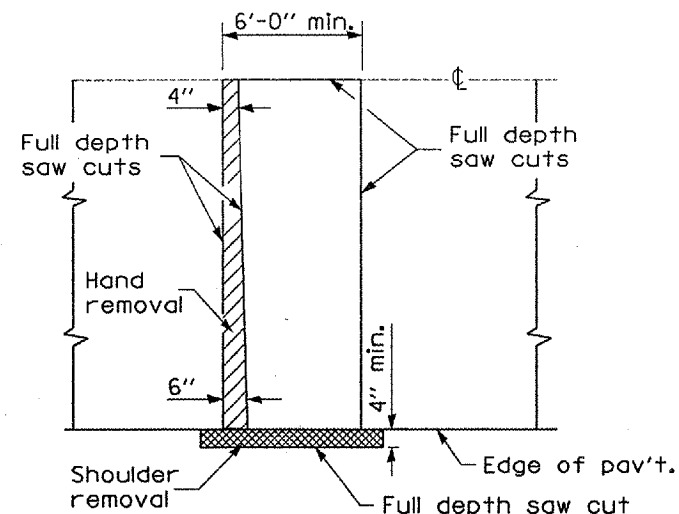
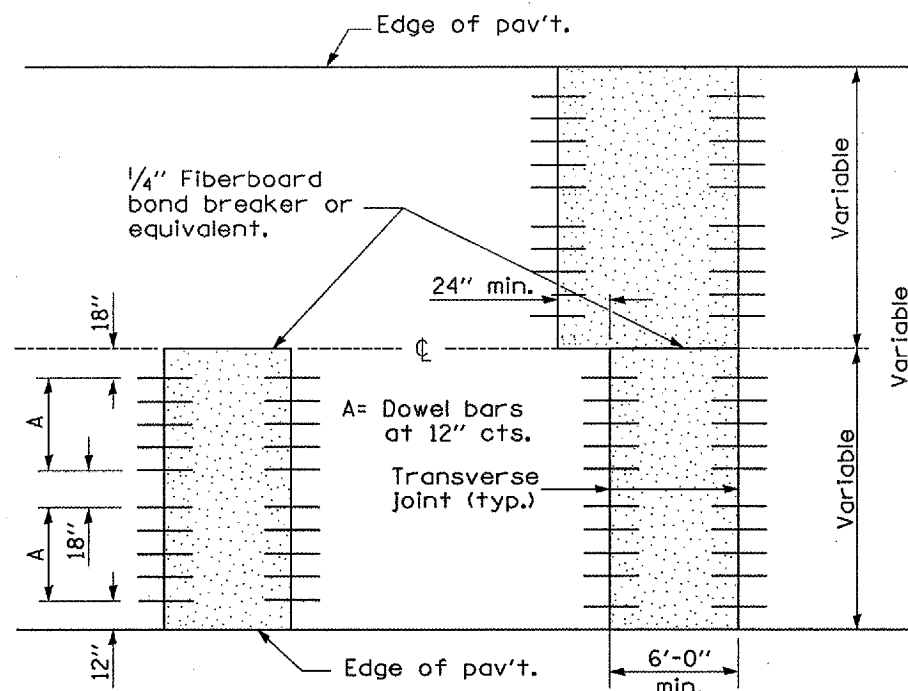


RTE.	SECTION	COUNTY	TOTAL SHEETS	SHEET NO.
*	(7R-1,10)	KANKAKEE	11	7
STA. 248+00		TO STA. 259+00		
ILLINOIS				
*FAP 332 & FAS 310 (IL 1 & IL 17)				

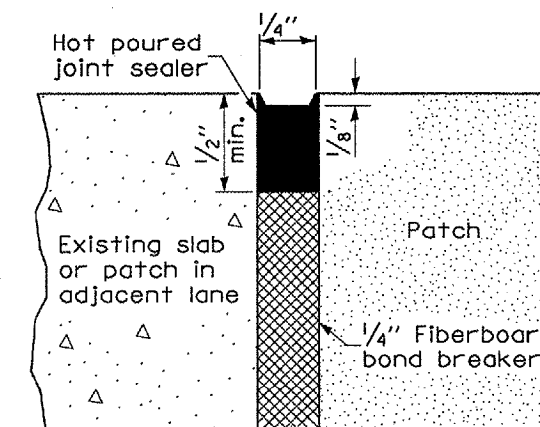


PAVEMENT SAWING DETAIL
(BITUMINOUS SHOULDER)

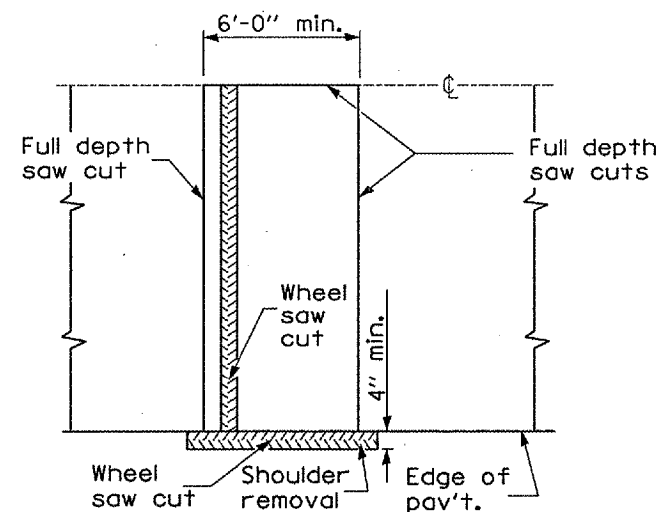


VARIABLE WIDTH LANES

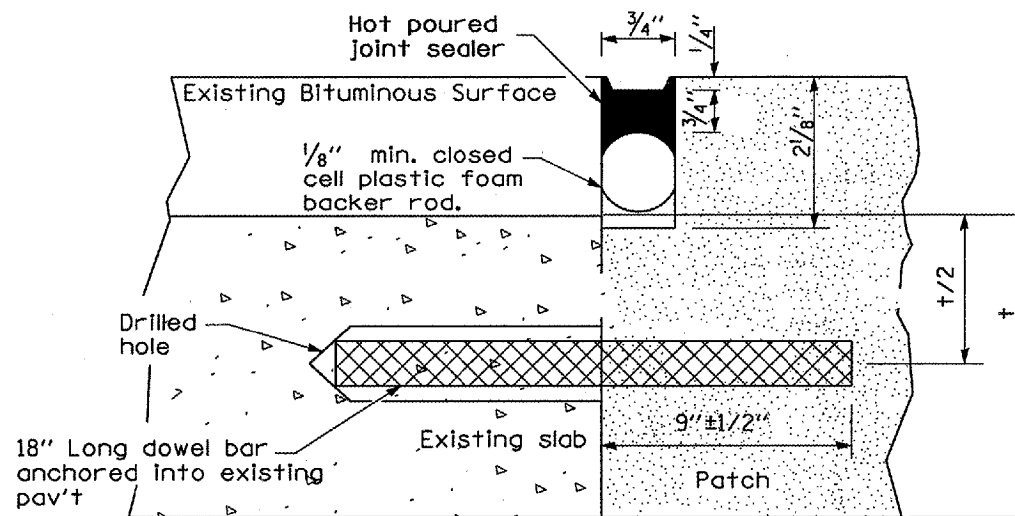
PAVEMENT THICKNESS	DOWEL BAR DIAMETER	HOLE DIAMETER
8" or greater	1/2"	1 5/8"
7" thru 7.99"	1/4"	1 3/8"
Less than 7"	1"	1 1/8"



CENTERLINE JOINT



ALTERNATE SAWING DETAIL
(BITUMINOUS SHOULDER)



TRANSVERSE JOINT

GENERAL NOTES

The transverse joints for Class B patches shall align with joints or cracks in the adjacent lane whenever possible.

For Class B patches 14 m (45') or longer, transverse contraction joints shall be installed at regular intervals per the joint spacing of the existing pavement.

See Standard 420701 for details of pavement fabric.

REVISIONS	
NAME	DATE

ILLINOIS DEPARTMENT OF TRANSPORTATION
**PAVEMENT PATCHING
DETAIL**
FAP 332 & FAS 310
SECTION (7R-1,10)
KANKAKEE COUNTY