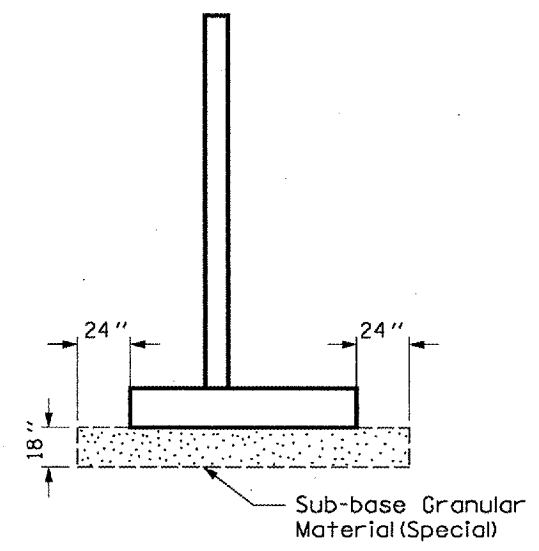
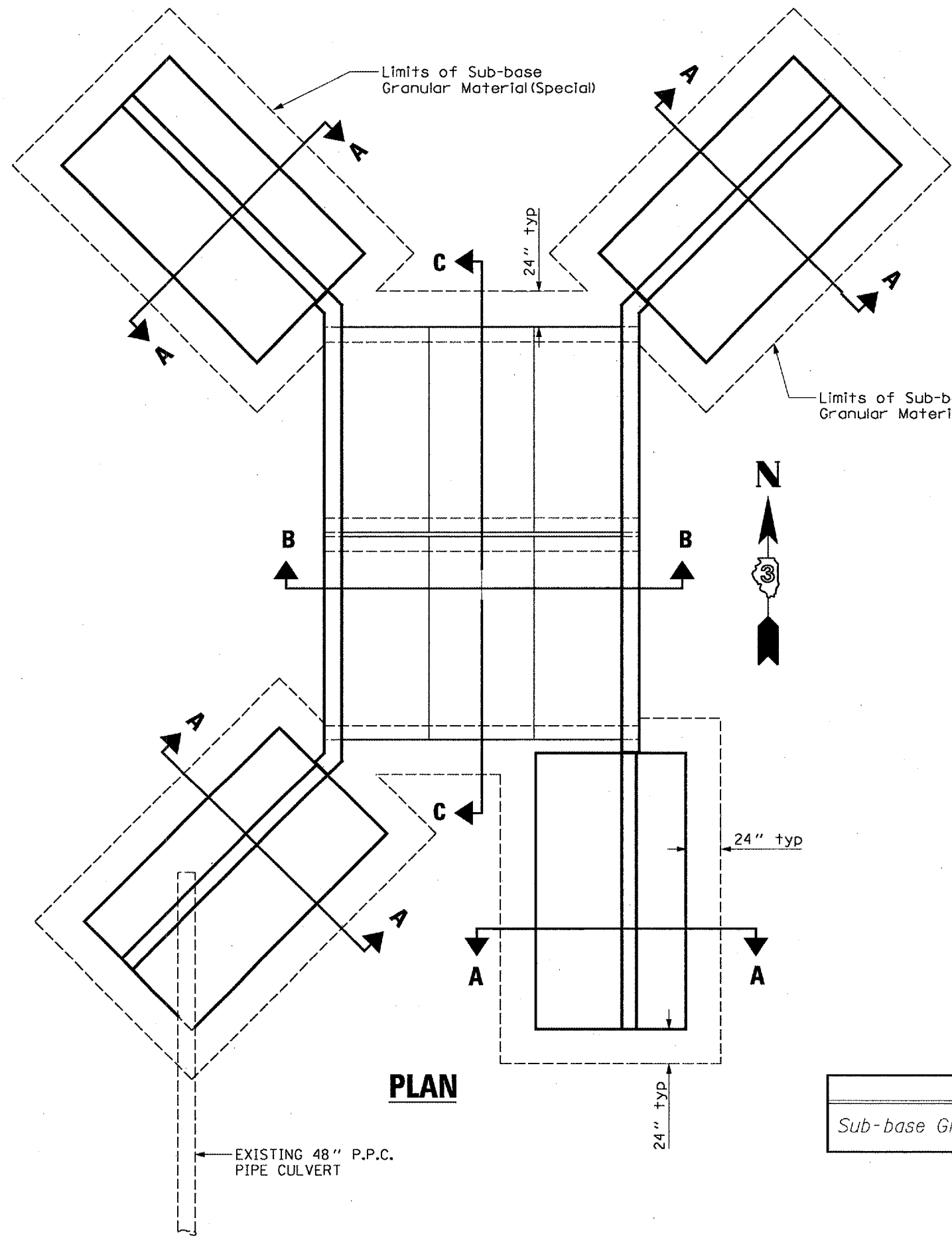
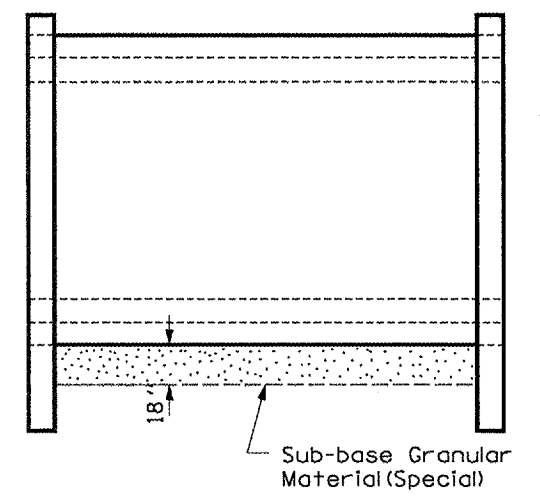


RTE.	SECTION	COUNTY	TOTAL SHEETS	SHEET NO.
•	••	LIVINGSTON	10	6

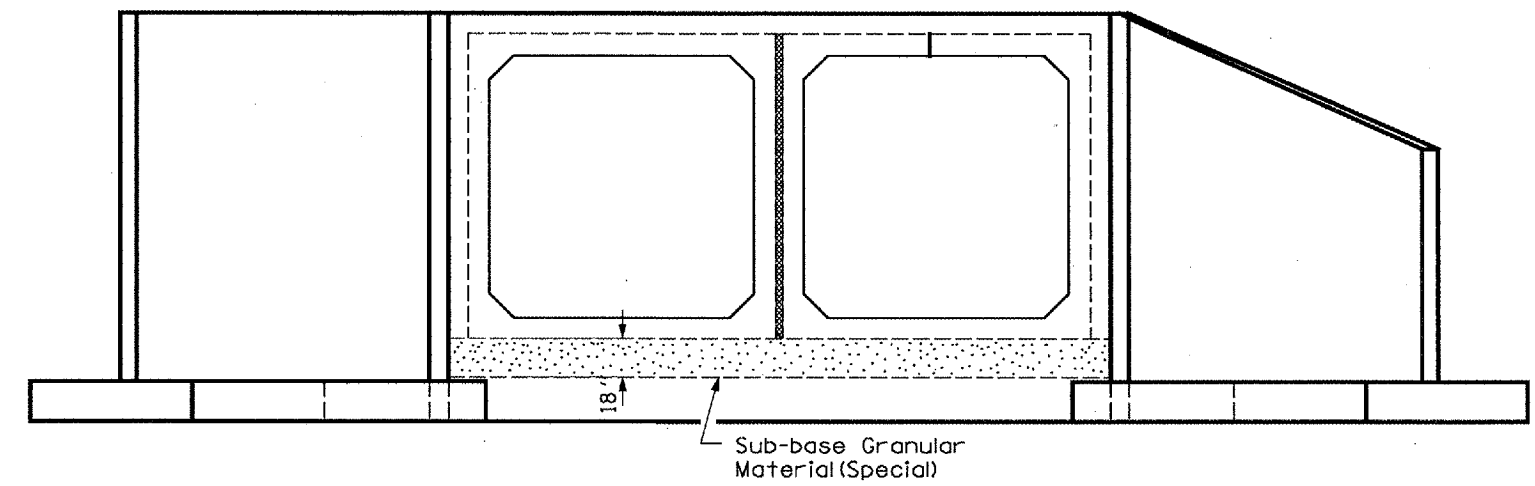
• DWIGHT MAINTENANCE YARD
 •• (DWIGHT MAINTENANCE YARD)



SECTION A-A



SECTION B-B



SECTION C-C

BILL OF MATERIAL

Item	Unit	Total
Sub-base Granular Material (Special)	Cu. Yd.	81

REVISIONS	
NAME	DATE

ILLINOIS DEPARTMENT OF TRANSPORTATION
SUB-BASE DETAILS
 (DWIGHT MAINTENANCE YARD)
 LIVINGSTON COUNTY
 S.N. 053-2041
 DATE: 02/24/2006
 DRAWN BY: RW

DATE: March 27, 2006
 FILE: c:\projects\cma\lno07\cm315\detail1.s.dgn