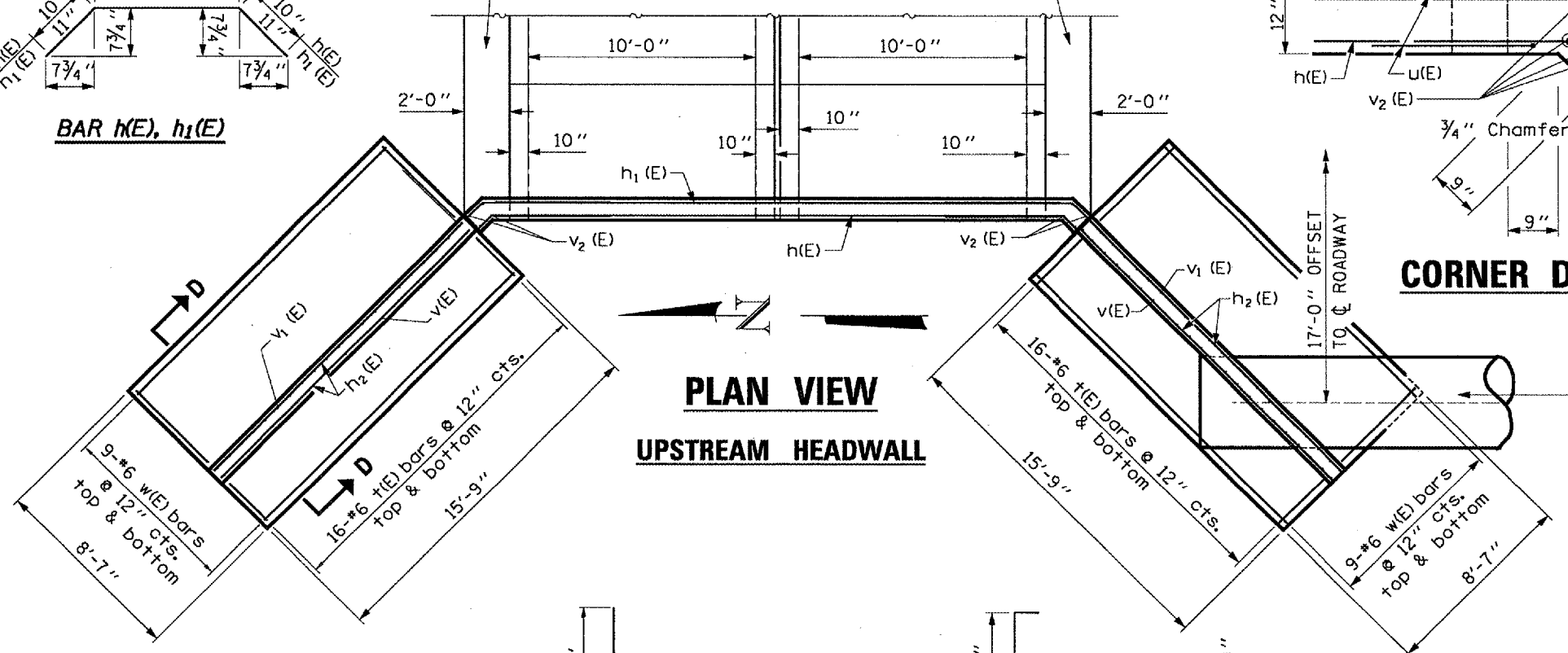
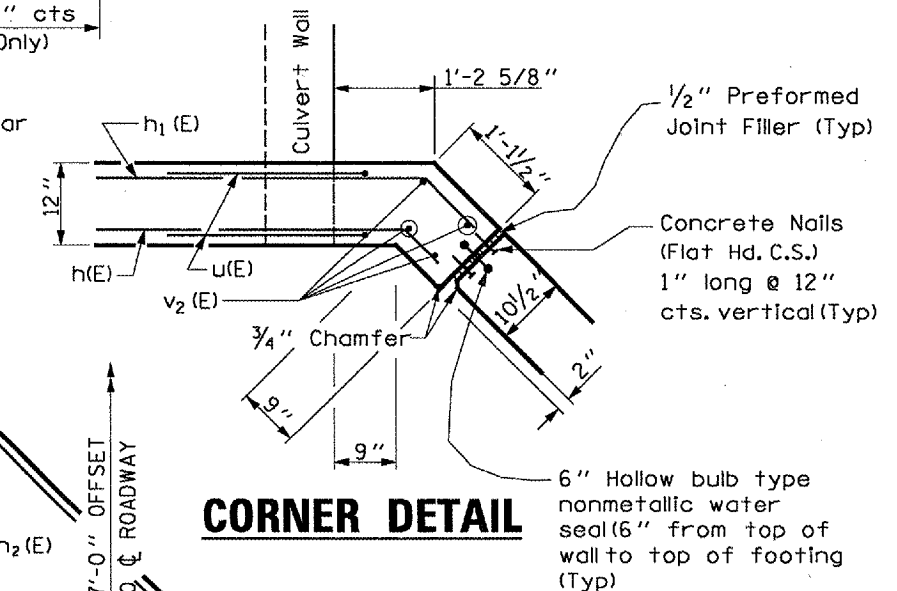
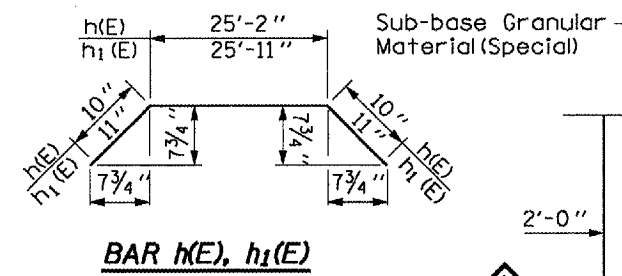
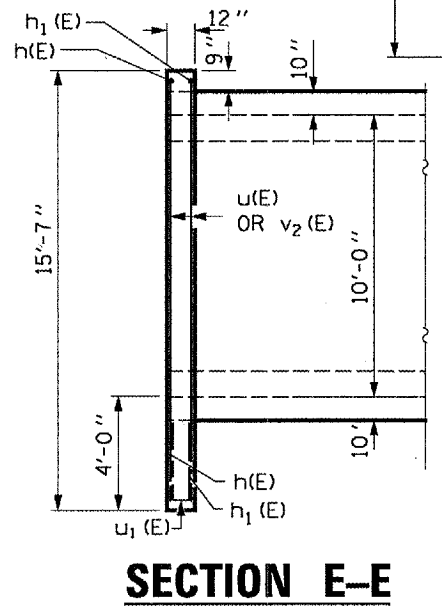
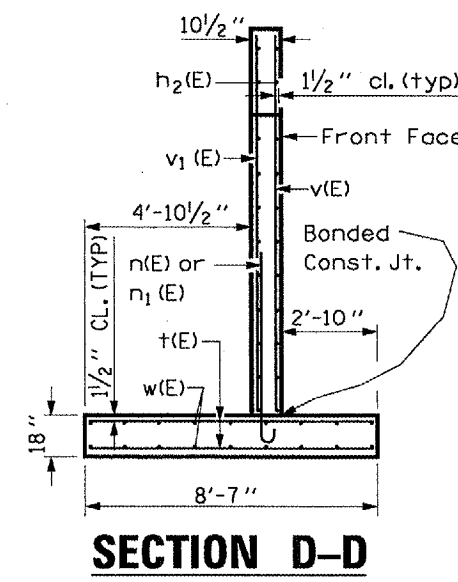
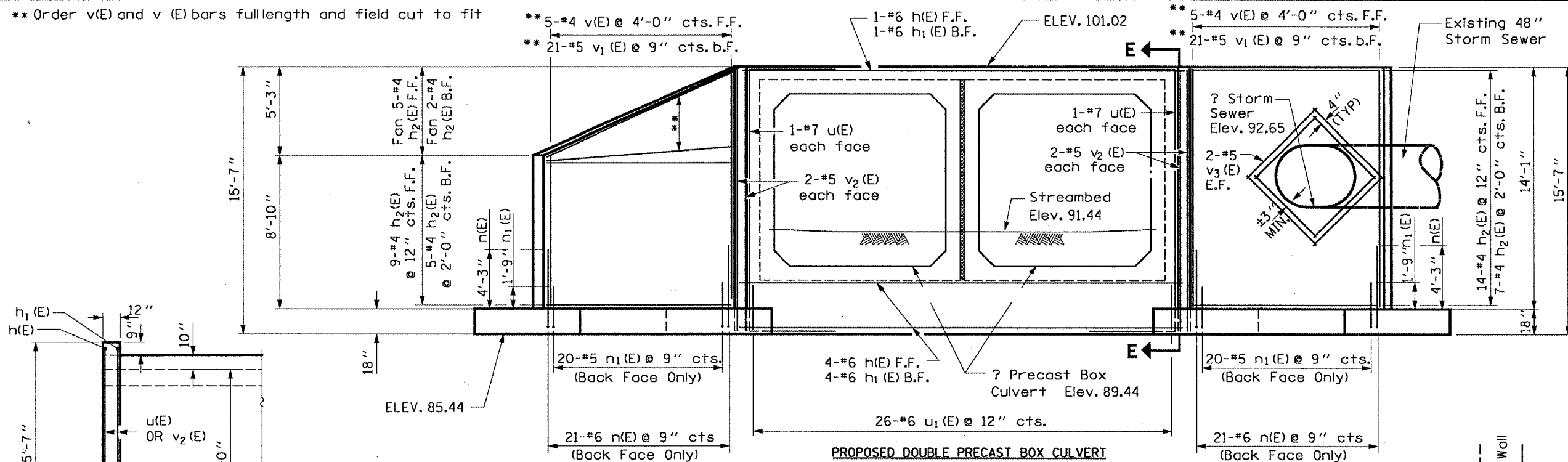


RTE.	SECTION	COUNTY	TOTAL SHEETS	SHEET NO.
		LIVINGSTON	10	8

• DWIGHT MAINTENANCE YARD
• DWIGHT MAINTENANCE YARD



BILL OF MATERIAL

BAR	NO.	SIZE	LENGTH (FT)	SHAPE
h(E)	5	6	26'-10"	
h1(E)	5	6	27'-9"	
h2(E)	42	4	15'-5"	
n(E)	42	6	6'-1"	
n1(E)	40	5	3'-6"	
t(E)	64	6	8'-3"	
u(E)	4	6	25'-3"	
u1(E)	26	6	6'-4"	
v(E)	10	4	13'-10"	
v1(E)	42	5	13'-10"	
v2(E)	8	5	15'-3"	
v3(E)	16	5	6'-0"	
w(E)	36	6	15'-5"	

Concrete Structures Cu. Yd. 25.9
Reinforcement Bars Pound 4355

NOTE: THE EXISTING 48" Ø STORM SEWER SHALL BE SUPPORTED BY METHODS APPROVED BY THE ENGINEER DURING THE REMOVAL AND RECONSTRUCTION OF THE WINGWALL.

MIN BAR LAP

#4	= 1'-8"
#5	= 2'-2"
#6	= 2'-7"

NOTE: F.F. INDICATES FRONT FACE
B.F. INDICATES BACK FACE

REVISIONS

NAME	DATE

ILLINOIS DEPARTMENT OF TRANSPORTATION
UPSTREAM HEADWALL DETAILS
(DWIGHT MAINTENANCE YARD)
LIVINGSTON COUNTY
S.N. 053-2041

