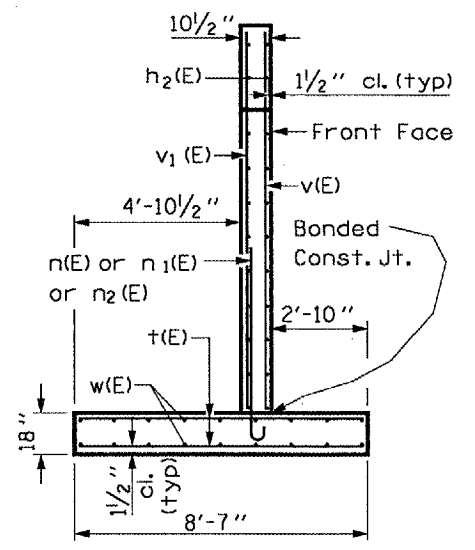
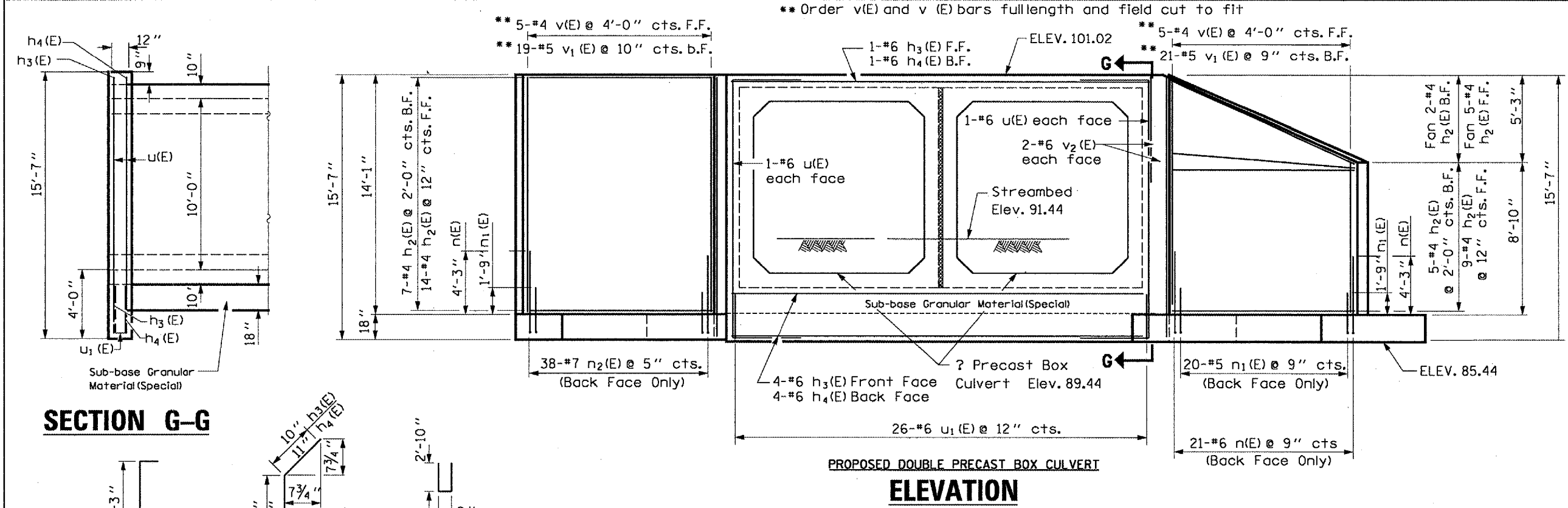
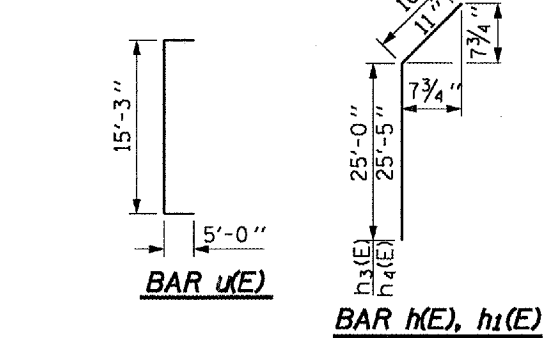


RTE.	SECTION	COUNTY	TOTAL SHEETS	SHEET NO.
•	••	LIVINGSTON	10	9

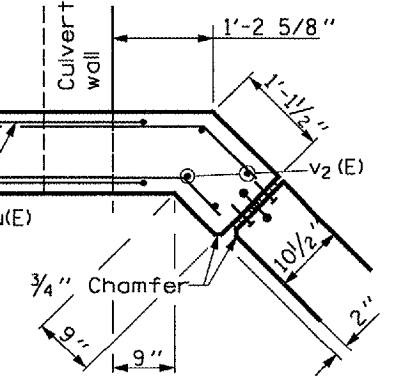
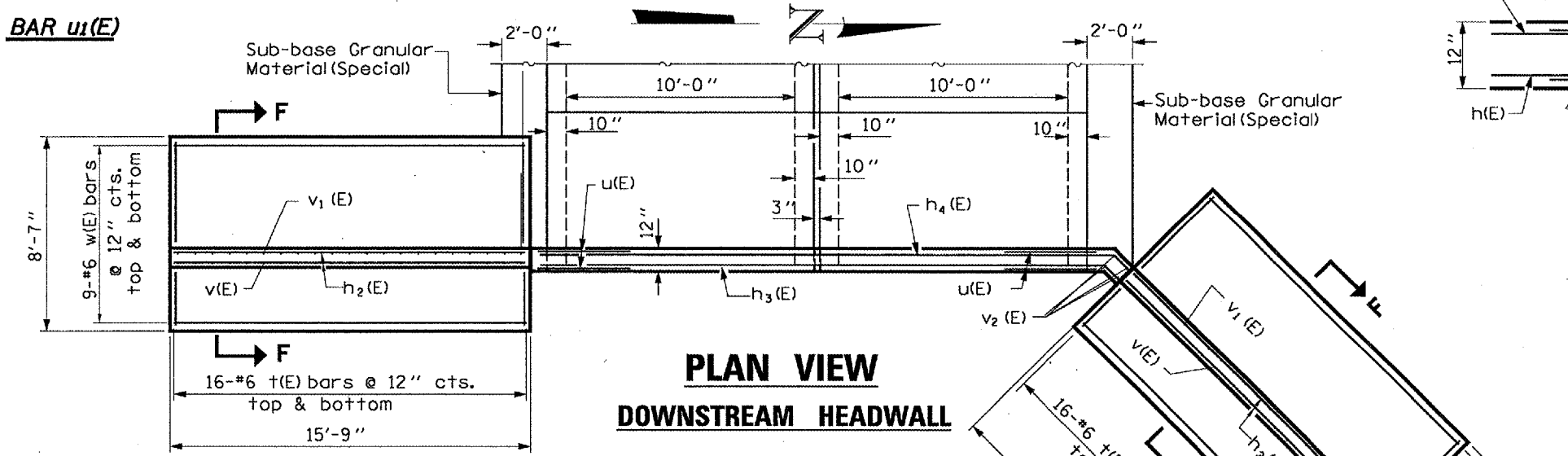
• DWIGHT MAINTENANCE YARD
 •• (DWIGHT MAINTENANCE YARD)



SECTION G-G



PROPOSED DOUBLE PRECAST BOX CULVERT ELEVATION



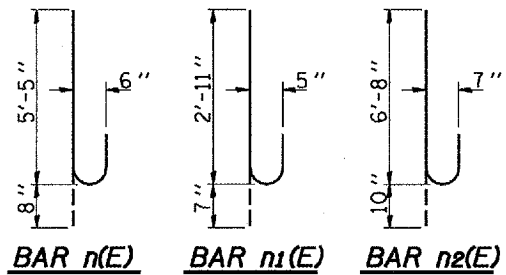
CORNER DETAIL

BILL OF MATERIAL

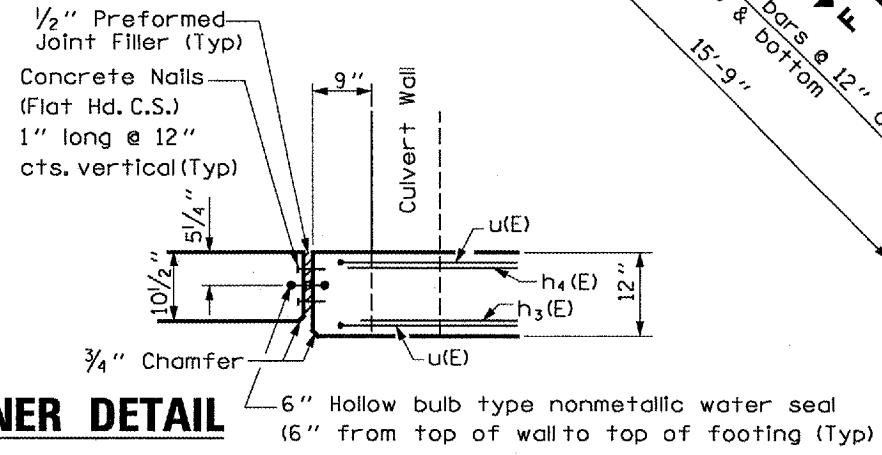
BAR	NO.	SIZE	LENGTH (FT)	SHAPE
h2(E)	42	4	15'-5"	▬
h3(E)	5	6	25'-10"	▬
h4(E)	5	6	26'-4"	▬
n(E)	21	6	6'-1"	U
n1(E)	20	5	3'-6"	U
n2(E)	38	7	7'-6"	U
t(E)	64	6	8'-3"	▬
u(E)	4	6	25'-3"	▬
u1(E)	26	6	6'-4"	▬
v(E)	10	4	13'-10"	▬
v1(E)	40	5	13'-10"	▬
v2(E)	4	5	15'-3"	▬
w(E)	36	6	15'-5"	▬
Concrete Structures			Cu. Yd.	24.6
Reinforcement Bars (Epoxy Coated)			Pound	4430

(E) DENOTES EPOXY COATED

• FOR INFORMATION ONLY. COST INCLUDED WITH BOX CULVERT END SECTIONS.



CORNER DETAIL



MIN BAR LAP

#4	= 1'-8"
#5	= 2'-2"
#6	= 2'-7"

NOTE: F.F. INDICATES FRONT FACE
 B.F. INDICATES BACK FACE

REVISIONS

NAME	DATE

ILLINOIS DEPARTMENT OF TRANSPORTATION
DOWNSTREAM HEADWALL DETAILS
 (DWIGHT MAINTENANCE YARD)
 LIVINGSTON COUNTY
 S.N. 053-2041

DATE: March 27, 2006
 FILE: c:\projects\ama\l\cm315\detail.s.dgn