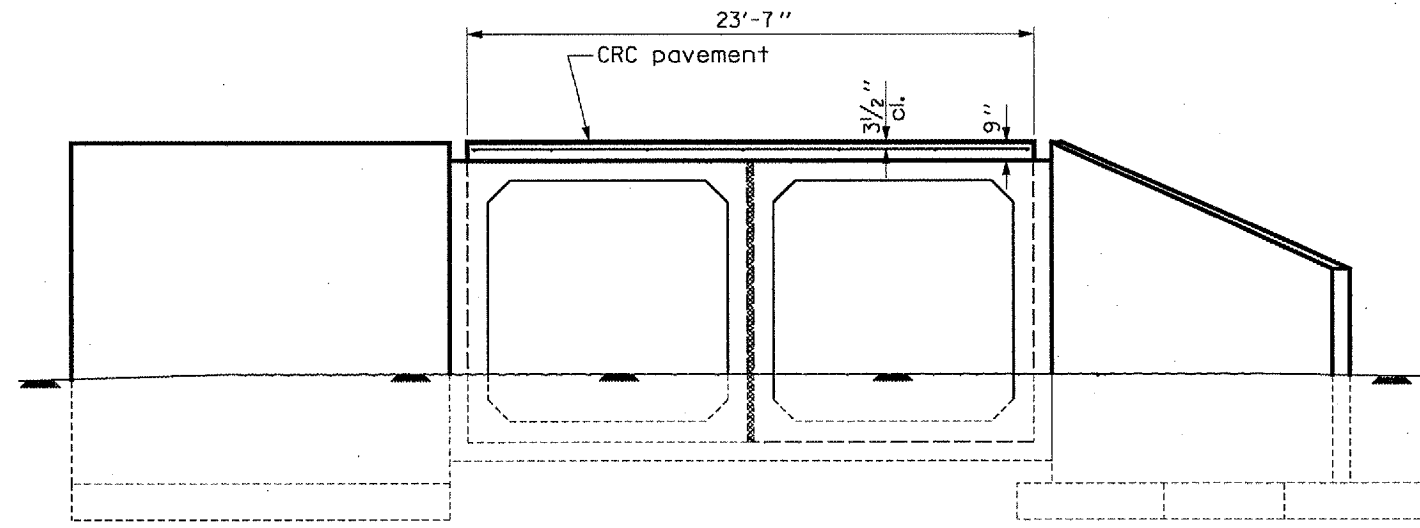
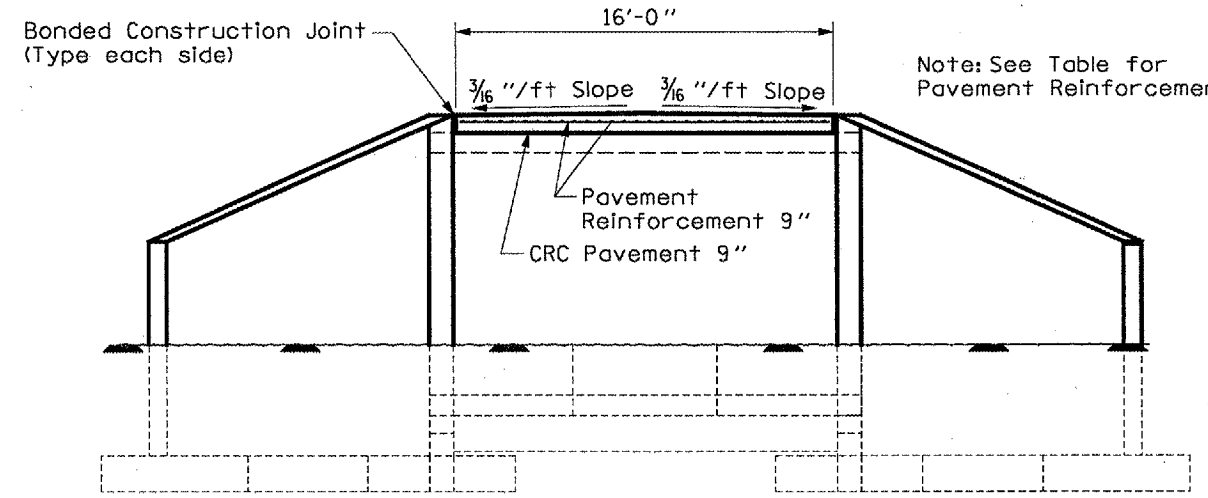


RTE.	SECTION	COUNTY	TOTAL SHEETS	SHEET NO.
		LIVINGSTON	10	10

• DWIGHT MAINTENANCE YARD  
 •• (DWIGHT MAINTENANCE YARD)

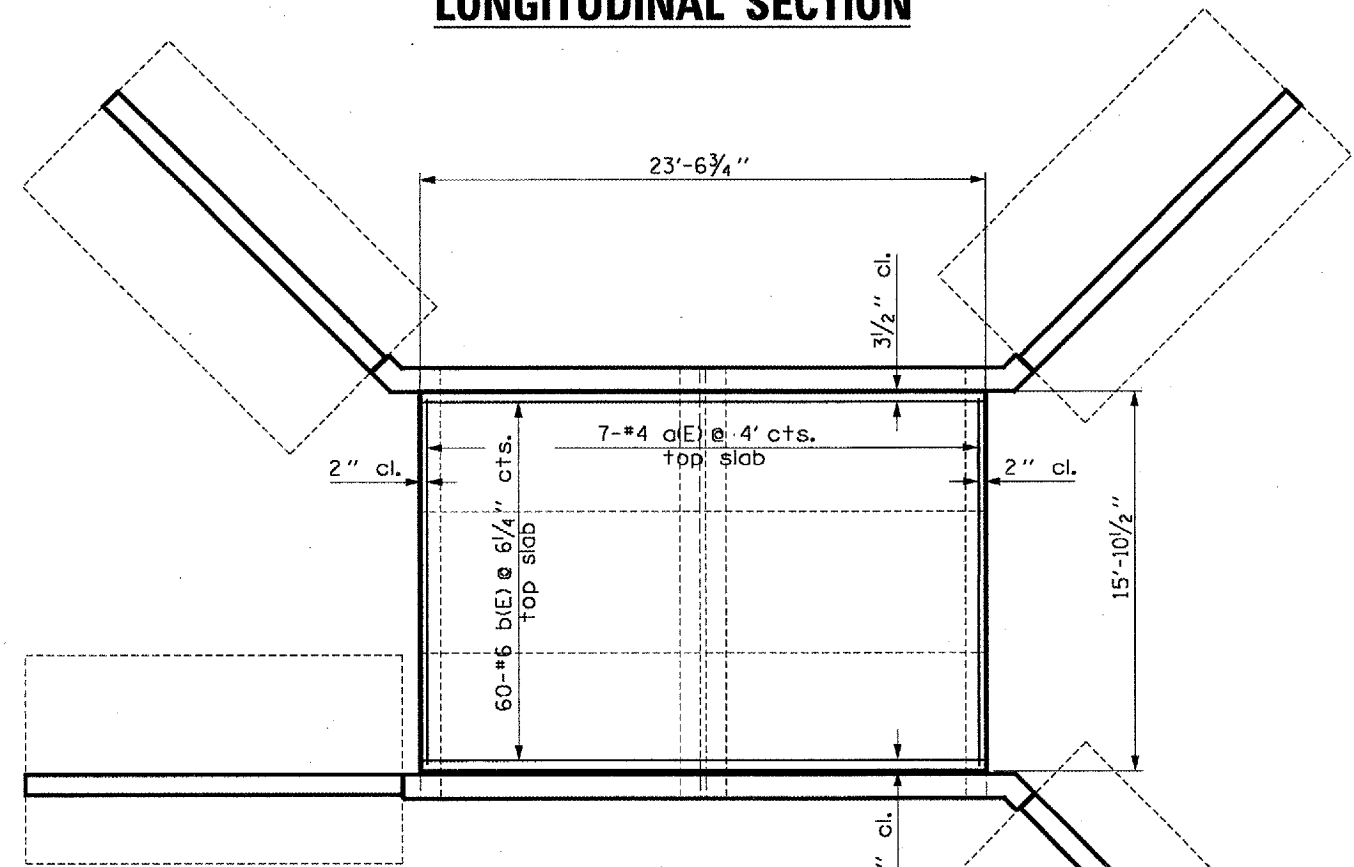


**LONGITUDINAL SECTION**

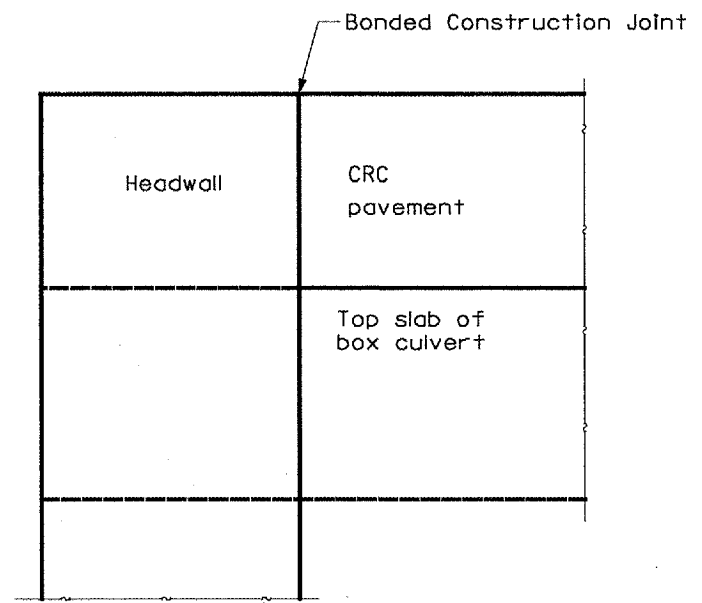


**TRANSVERSE SECTION**

LOOKING SOUTH



**PLAN**



**HEADWALL DETAIL**

**\* BILL OF MATERIAL**

BAR	NO.	SIZE	LENGTH (FT)	SHAPE
#4 a(E)	7	#5	23'-2"	—
#6 b(E)	60	#6	15'-8"	—
Continuously reinforced portland Cement concrete pavement 9"			SQ YD	42
Pavement Reinforcement 9"			SQ YD	42

REVISIONS	
NAME	DATE

ILLINOIS DEPARTMENT OF TRANSPORTATION  
**DECK/PAVEMENT DETAILS**  
 (DWIGHT MAINTENANCE YARD)  
 LIVINGSTON COUNTY  
 S.N. 053-2041

DATE: 02/24/2006

DRAWN BY: RW

\* For information only, included in the cost of PRECAST CONCRETE BOX CULVERT 10' X 10' (M273)

DATE: March 27, 2006  
 FILE: c:\projects\cma\lno7\cm315\detail11.s.dgn