

RTE.	SECTION	COUNTY	TOTAL SHEETS	SHEET NO.
•	••	LIVINGSTON	10	1

• DWIGHT MAINTENANCE YARD
 •• (DWIGHT MAINTENANCE YARD)T

D-93-002-06



LOCATION OF SECTION INDICATED THUS: — ■ —

STATE OF ILLINOIS
 DEPARTMENT OF TRANSPORTATION
 DIVISION OF HIGHWAYS

**PROPOSED
 HIGHWAY PLANS**

O.R. 66 (OLD ROUTE 66)
 (DWIGHT MAINTENANCE YARD)T
 LIVINGSTON COUNTY
 DRAINAGE IMPROVEMENT
 C-93-080-06

INDEX OF SHEETS

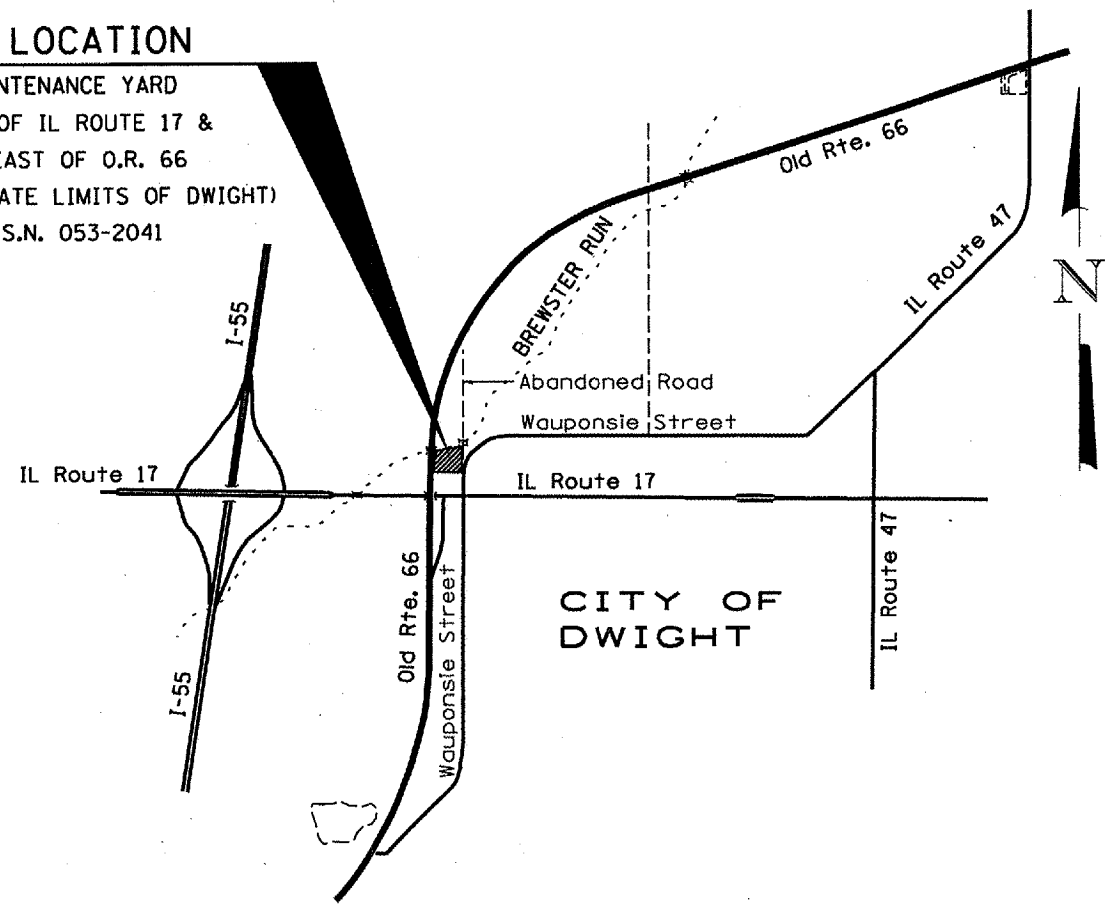
1. COVER SHEET
2. GENERAL NOTES
3. SUMMARY OF QUANTITIES
4. GENERAL PLAN DETAILS
5. CROSS SECTIONS
6. SUB-BASE DETAILS
7. HEADWALL ANCHORING DETAILS
8. UPSTREAM HEADWALL DETAILS
9. DOWNSTREAM HEADWALL DETAILS
10. DECK/PAVEMENT DETAILS

STANDARDS

- | | |
|-----------|--|
| 000001-04 | STANDARD SYMBOLS, ABBREVIATIONS AND PATTERNS |
| 001001 | AREAS OF REINFORCEMENT BARS |
| 001006 | DECIMAL OF AN INCH AND OF A FOOT |
| 421001-01 | BAR REINFORCEMENT FOR CRC PAVEMENT |

PROJECT LOCATION

DWIGHT MAINTENANCE YARD
 1.1 MI. NORTH OF IL ROUTE 17 &
 ±300 FEET EAST OF O.R. 66
 (WEST EDGE CORPORATE LIMITS OF DWIGHT)
 PROPOSED S.N. 053-2041



NOT TO SCALE

MICROFILMED _____
 REEL NUMBER _____
 AWARDED _____
 RESIDENT ENGINEER _____
 AS BUILT CHANGES WERE MADE
 ON THE FOLLOWING SHEETS _____

J.U.L.I.E.
 JOINT UTILITY LOCATION INFORMATION FOR EXCAVATION
 1-800-892-0123

DISTRICT 3 NO. (815) 434-6131
 PROJECT ENGINEER: JOE KANNEL (815)434-8420
 UNIT CHIEF: RON WOODSHANK (815)434-8419
 TOWNSHIP: DWIGHT

CONTRACT NO. 66673

STATE OF ILLINOIS
 DEPARTMENT OF TRANSPORTATION
 DIVISION OF HIGHWAYS

SUBMITTED 5/18 20 06
Angus Clark
 DEPUTY DIRECTOR OF HIGHWAYS, REGION ENGINEER

June 30, 20 06
Mike Hine
 ENGINEER OF DESIGN AND ENVIRONMENT

June 30, 20 06
Milton R. Sees, P.E.
 DIRECTOR OF HIGHWAYS, CHIEF ENGINEER

**PRINTED BY THE AUTHORITY
 OF THE STATE OF ILLINOIS**

DATE: March 27, 2006
 FILE: c:\projects\cma\m07\cm315\detail\is.dgn

RTE.	SECTION	COUNTY	TOTAL SHEETS	SHEET NO.
*	**	LIVINGSTON	10	2

* DWIGHT MAINTENANCE YARD
 ** (DWIGHT MAINTENANCE YARD)

GENERAL NOTES

THE CONTRACTOR SHALL BE RESPONSIBLE FOR PROTECTING UTILITY PROPERTY FROM CONSTRUCTION OPERATIONS AS OUTLINED IN ARTICLE 107.31 OF THE STANDARD SPECIFICATIONS. THE "JULIE" NUMBER IS 1-800-892-0123. A MINIMUM OF FORTY-EIGHT (48) HOURS ADVANCE NOTICE IS REQUIRED.

WHERE SECTION OR SUBSECTION MONUMENTS ARE ENCOUNTERED, THE ENGINEER SHALL BE NOTIFIED BEFORE SUCH MONUMENTS ARE REMOVED. THE CONTRACTOR SHALL PROTECT AND CAREFULLY PRESERVE ALL MONUMENTS UNTIL AN AUTHORIZED SURVEYOR OR AGENT HAS WITNESSED OR OTHERWISE REFERENCED THEIR LOCATION. THE CONTRACTOR SHALL BE RESPONSIBLE FOR HAVING AN AUTHORIZED SURVEYOR REESTABLISH ANY SECTION OR SUBSECTION MONUMENTS DESTROYED BY HIS OPERATIONS.

ABANDONED UNDERGROUND UTILITIES THAT CONFLICT WITH CONSTRUCTION SHALL BE DISPOSED OF OUTSIDE THE LIMITS OF THE RIGHT OF WAY ACCORDING TO ARTICLE 202.03 OF THE STANDARD SPECIFICATIONS AND AS DIRECTED BY THE ENGINEER. THIS WORK WILL NOT BE PAID FOR SEPARATELY BUT SHALL BE INCLUDED IN THE COST OF EARTH EXCAVATION.

EXCEPT AS NOTED ON THE PLANS, PAVEMENT GRADES SHOWN ARE AT THE TOP OF PAVEMENT SURFACES. EXCEPT AS SHOWN.

THE FINISHED EARTHWORK SHALL HAVE A VEGETATION SUSTAINING SOIL COVERING THE TOP FOUR INCHES IN AREAS TO BE SEEDDED OR SODDED. THE VEGETATION SUSTAINING SOIL REQUIRED WILL NOT BE PAID FOR SEPARATELY BUT SHALL BE INCLUDED IN THE COST OF "FURNISHED EXCAVATION". EMBANKMENT PLACED ADJACENT TO THE BOX CULVERT OR WINGWALLS SHALL BE INCLUDED IN THE COST OF "FURNISHED EMBANKMENT".

ALL ELEVATION REFERRING TO U.S.G.S. MEAN SEA LEVEL DATUM.

ANY REFERENCE TO A STANDARD IN THESE PLANS SHALL BE INTERPRETED TO MEAN THE EDITION AS INDICATED BY THE SUBNUMBER LISTED ON THE INDEX OF SHEETS OR THE COPY OF THE STANDARD INCLUDED IN THESE PLANS.

THE FOLLOWING RATES OF APPLICATION HAVE BEEN USED IN CALCULATING PLAN QUANTITIES:

GRANULAR MATERIALS	2.05	TONS/CU YD
--------------------	------	------------

DATE: 5-18-06
 PREPARED BY: Rail Powell
 DISTRICT STUDIES & PLANS ENGINEER
 EXAMINED BY: Herb Gray
 DISTRICT CONSTRUCTION ENGINEER
Bruce A. Hacker
 DISTRICT OPERATIONS ENGINEER
Matt Jerslov
 DISTRICT MATERIALS ENGINEER

REVISIONS	
NAME	DATE

ILLINOIS DEPARTMENT OF TRANSPORTATION
GENERAL NOTES
 (DWIGHT MAINTENANCE YARD)
 LIVINGSTON COUNTY
 S.N. 053-2041

DATE: 02/24/2006

DRAWN BY: RW

DATE: March 27, 2006
 FILE: c:\projects\cma1n07\cm315\details.dgn

RTE.	SECTION	COUNTY	TOTAL SHEETS	SHEET NO.
•	••	LIVINGSTON	10	3

• DWIGHT MAINTENANCE YARD
 •• (DWIGHT MAINTENANCE YARD)

SUMMARY OF QUANTITIES

CONSTRUCTION CODE TYPE: X028-2A

URBAN
 100% STATE

CODE NO.	ITEM	UNIT	TOTAL QUANTITY
20400800	FURNISHED EXCAVATION	CU YD	350
20700220	POROUS GRANULAR EMBANKMENT	CU YD	245
31102900	SUB-BASE GRANULAR MATERIAL (SPECIAL)	CU YD	81
40200800	AGGREGATE SURFACE COURSE, TYPE B	TON	275
54001000	BOX CULVERT END SECTIONS	EACH	2
54002050	EXPANSION BOLTS 3/4 INCH X 9 INCH	EACH	192
54021010	PRECAST CONCRETE BOX CULVERT 10' X 10' (M273)	FOOT	36
67100100	MOBILIZATION	L SUM	1

DATE: March 27, 2006
 FILE: c:\projects\cma1n07\cm315\detail is.dgn

REVISIONS	
NAME	DATE

ILLINOIS DEPARTMENT OF TRANSPORTATION
SUMMARY OF QUANTITIES
 (DWIGHT MAINTENANCE YARD)
 LIVINGSTON COUNTY
 S.N. 053-2041

DATE: 02/24/2006

DRAWN BY: RW

RTE.	SECTION	COUNTY	TOTAL SHEETS	SHEET NO.
		LIVINGSTON	10	4

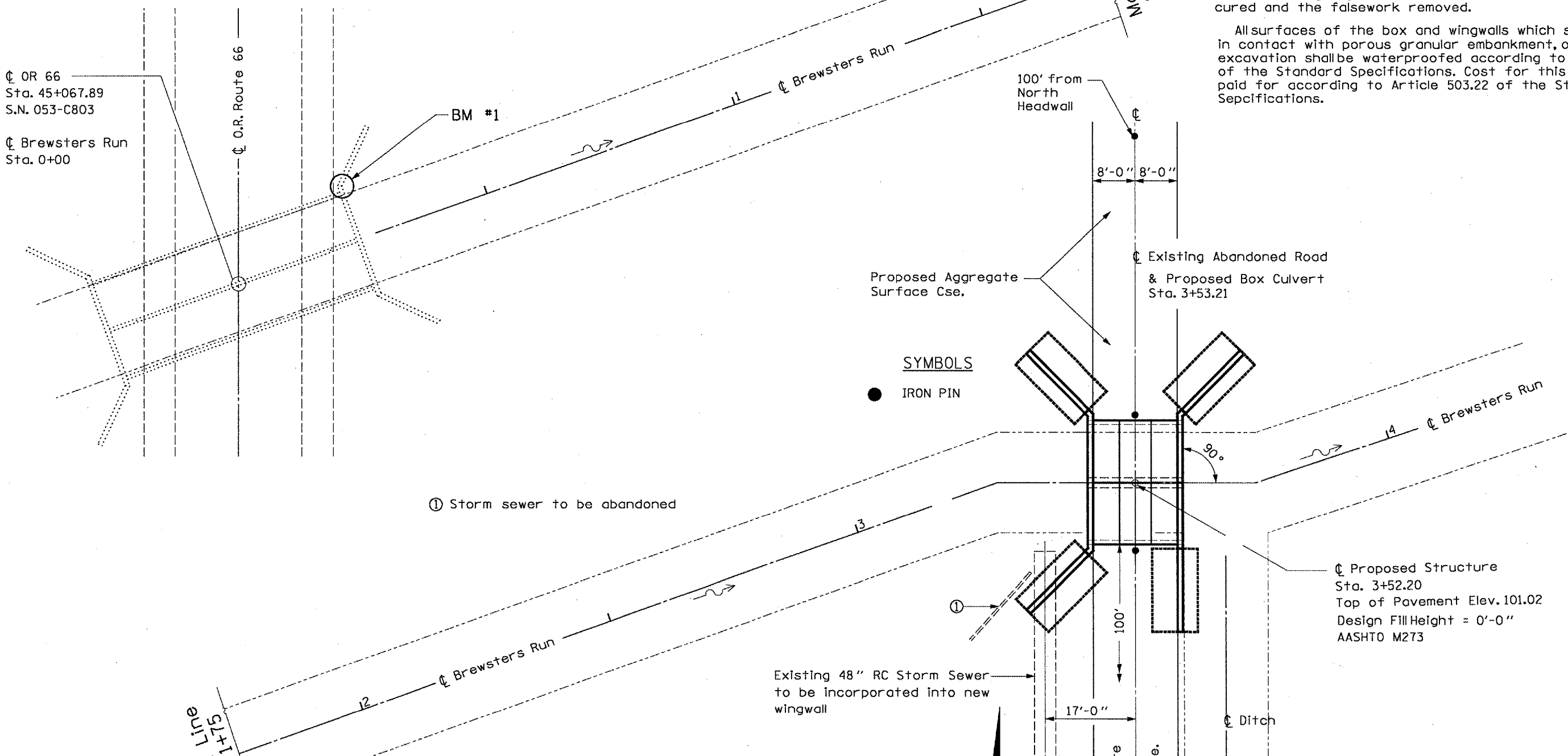
- DWIGHT MAINTENANCE YARD
- (DWIGHT MAINTENANCE YARD)

GENERAL NOTES

Furnished excavation shall be placed adjacent to the concrete box culvert and behind the wingwalls, shaped and graded to match existing adjacent slopes after the concrete has been cured and the falsework removed.

All surfaces of the box and wingwalls which shall come in contact with porous granular embankment, or furnished excavation shall be waterproofed according to Article 503.18 of the Standard Specifications. Cost for this work shall be paid for according to Article 503.22 of the Standard Specifications.

BM #1 Chisled "X" in the northeast headwall of S.N. 053-C803 Elev. 100.00



SYMBOLS

● IRON PIN

WATERWAY INFORMATION

Drainage Area = 2.25 sq. mi. Low Grade Elev. - @ Sta. -

Flood	Freq. Yr.	Q (cms)	Opening sq. m.		Nat. H.W.E.	Head - m.		Headwater El. (m.)	
			Exist.	Prop.		Exist.	Prop.	Exist.	Prop.
Design	50	10.97	-	13.23	-	192.74	0.07	-	192.81
Base	100	12.37	-	13.47	-	192.78	0.07	-	192.85
Overtopping	-	-	-	-	-	-	-	-	-
Max. Calc.	500	15.65	-	13.59	-	192.80	0.17	-	192.97

Note: Figures are in metric units

REVISIONS	
NAME	DATE

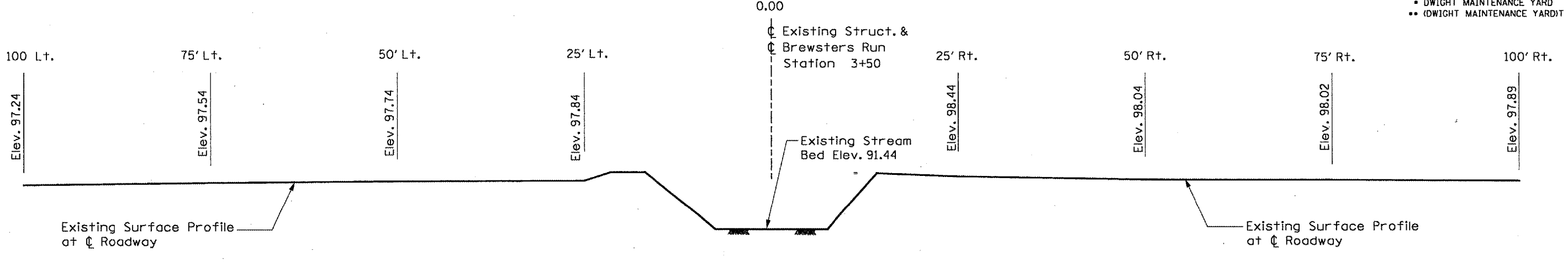
ILLINOIS DEPARTMENT OF TRANSPORTATION
GENERAL PLAN DETAILS
 (DWIGHT MAINTENANCE YARD)
 LIVINGSTON COUNTY
 S.N. 053-2041
 DATE: 02/24/2006 DRAWN BY: RW

DATE: March 27, 2006 FILE: c:\projects\cmal\cm315\defal11s.dgn

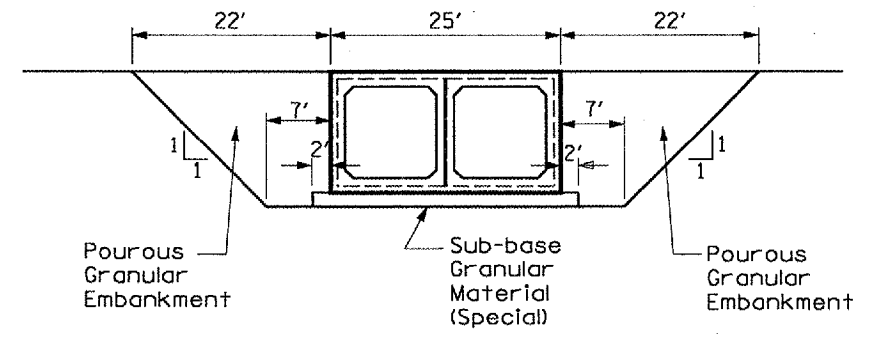
RTE.	SECTION	COUNTY	TOTAL SHEETS	SHEET NO.
		LIVINGSTON	10	5

- DWIGHT MAINTENANCE YARD
- (DWIGHT MAINTENANCE YARD)

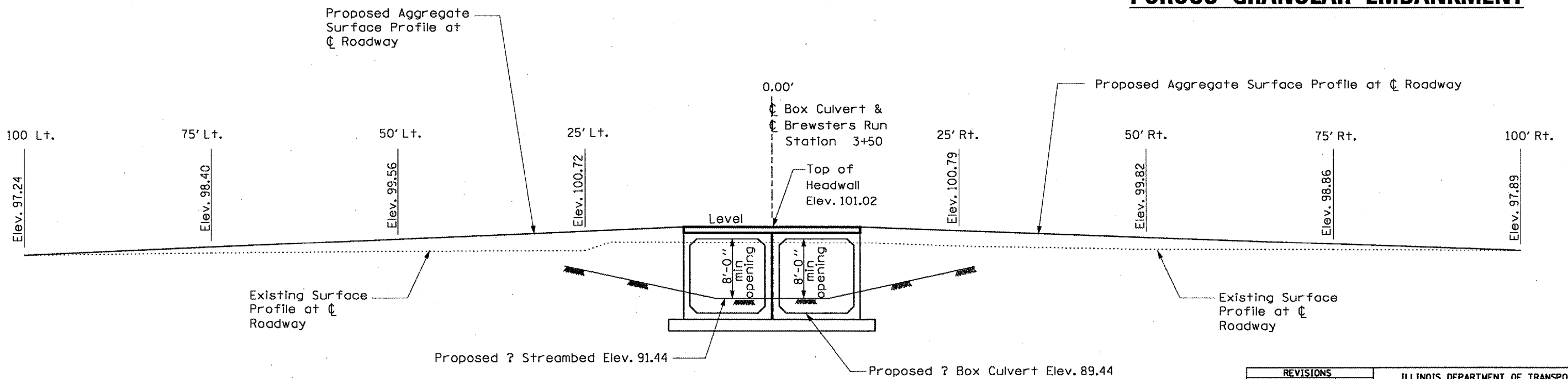
BM #1 Chisled "X" in the northeast headwall of S.N. 053-C803 Elev. 100.00



EXISTING CROSS SECTION



POROUS GRANULAR EMBANKMENT



PROPOSED CROSS SECTION

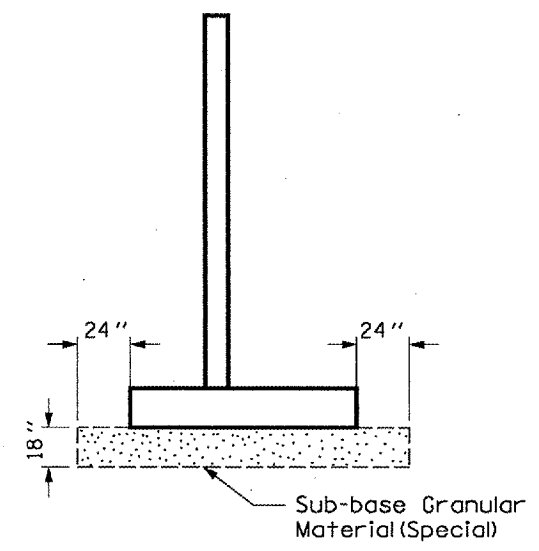
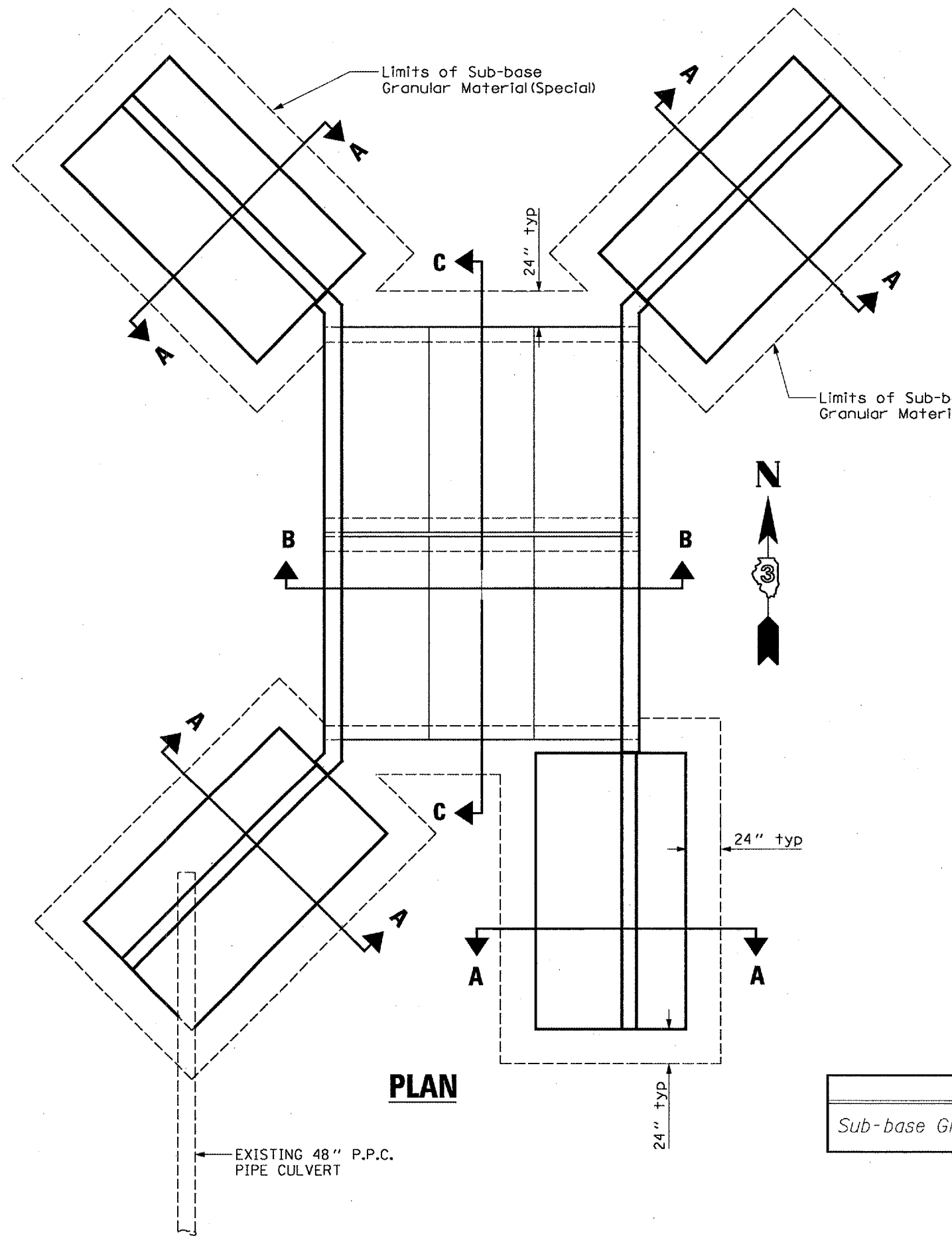
REVISIONS	
NAME	DATE

ILLINOIS DEPARTMENT OF TRANSPORTATION
CROSS SECTIONS
 (DWIGHT MAINTENANCE YARD)
 LIVINGSTON COUNTY
 S.N. 053-2041
 DATE: 02/24/2006 DRAWN BY: RW

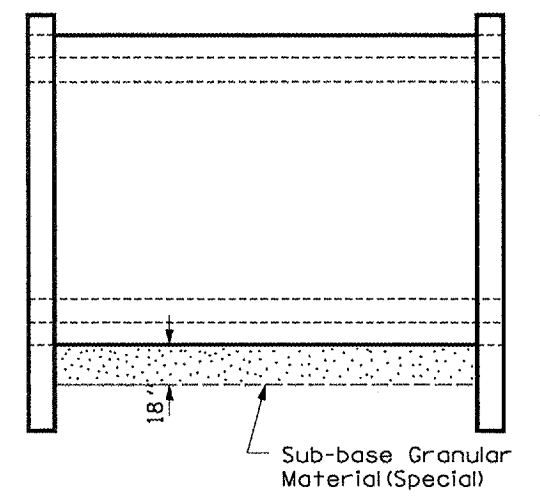
DATE: March 27, 2006
 FILE: c:\projects\cm315\detail1.s.dgn

RTE.	SECTION	COUNTY	TOTAL SHEETS	SHEET NO.
•	••	LIVINGSTON	10	6

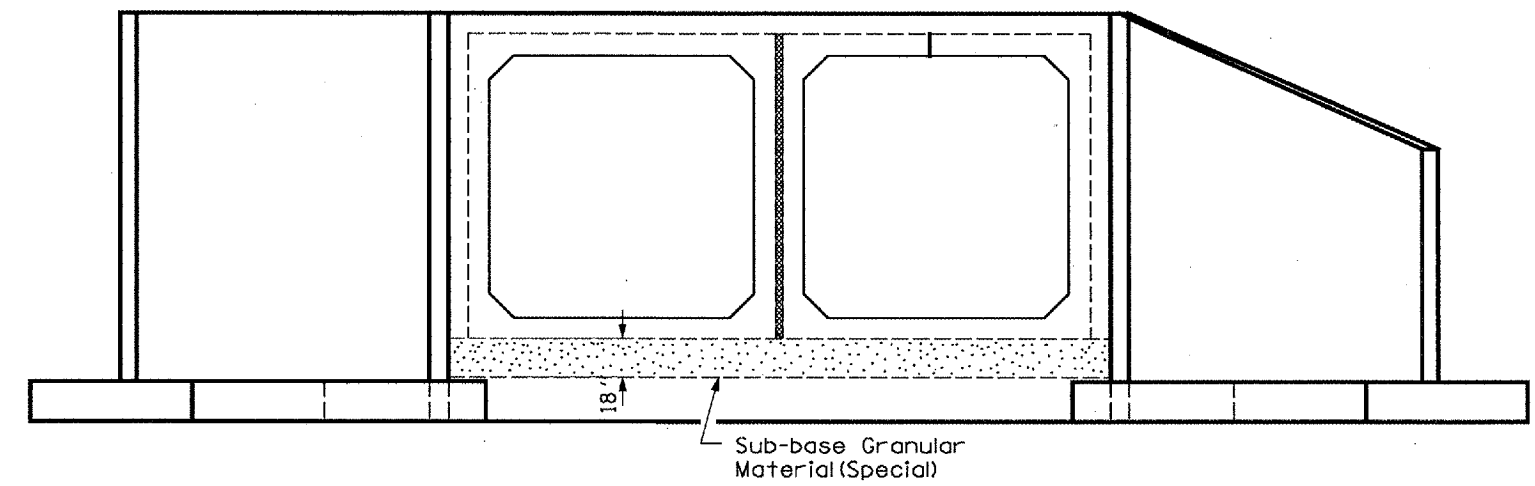
• DWIGHT MAINTENANCE YARD
 •• (DWIGHT MAINTENANCE YARD)



SECTION A-A



SECTION B-B



SECTION C-C

BILL OF MATERIAL

Item	Unit	Total
Sub-base Granular Material (Special)	Cu. Yd.	81

REVISIONS	
NAME	DATE

ILLINOIS DEPARTMENT OF TRANSPORTATION
SUB-BASE DETAILS
 (DWIGHT MAINTENANCE YARD)
 LIVINGSTON COUNTY
 S.N. 053-2041

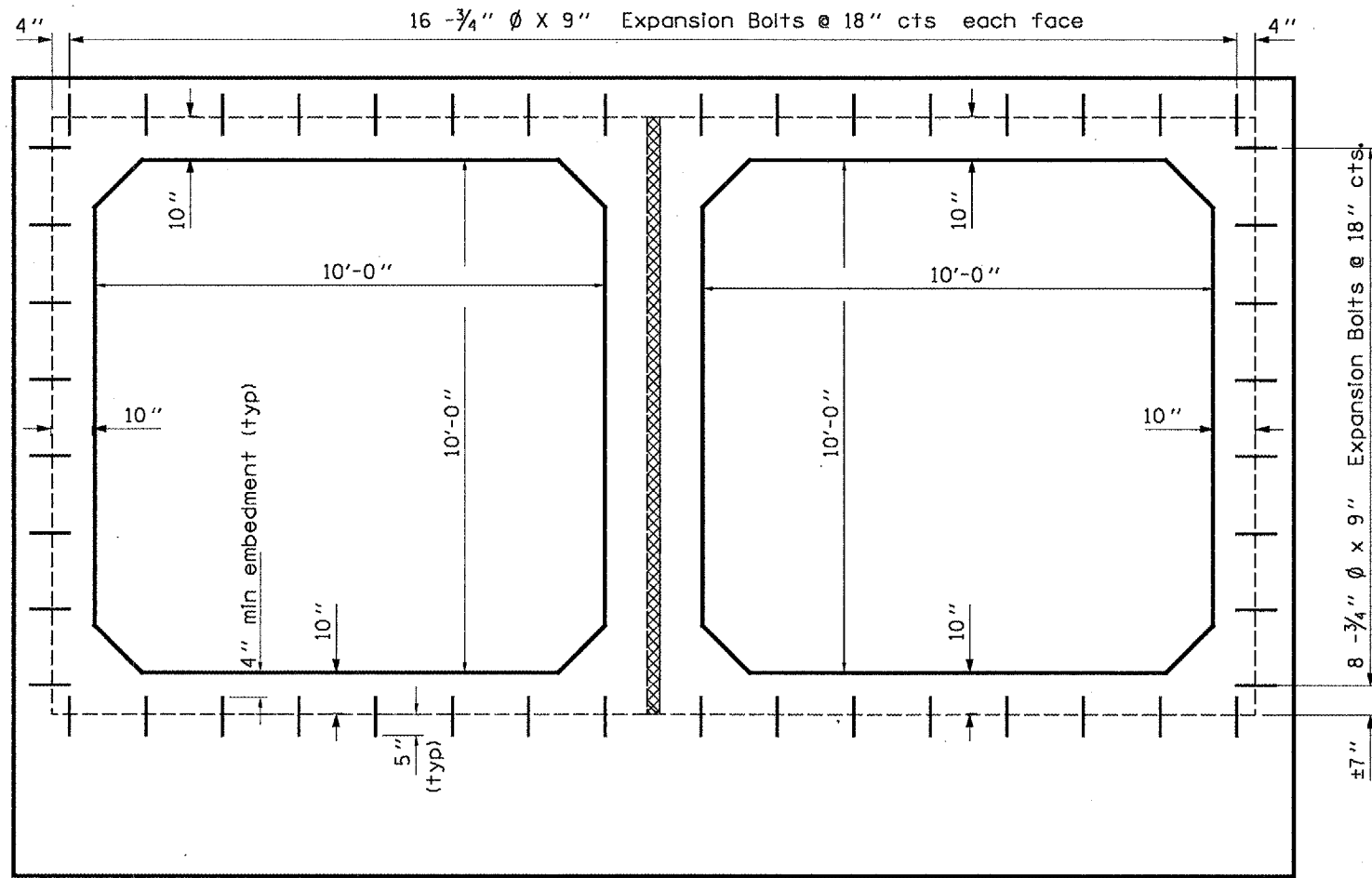
DATE: 02/24/2006

DRAWN BY: RW

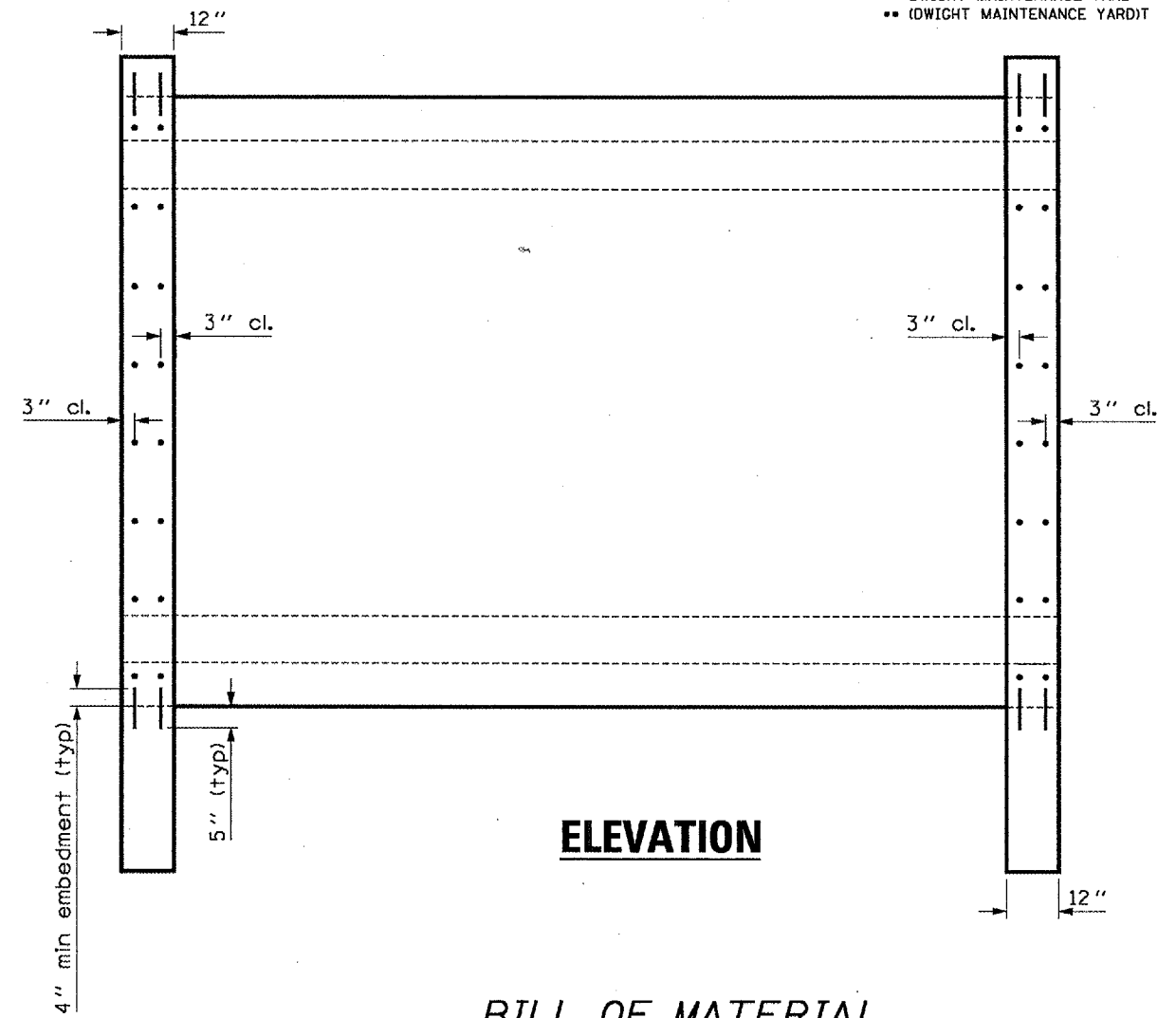
DATE: March 27, 2006
 FILE: c:\projects\cma\lno07\cm315\detail1.s.dgn

RTE.	SECTION	COUNTY	TOTAL SHEETS	SHEET NO.
.	..	LIVINGSTON	10	7

- DWIGHT MAINTENANCE YARD
- (DWIGHT MAINTENANCE YARD)



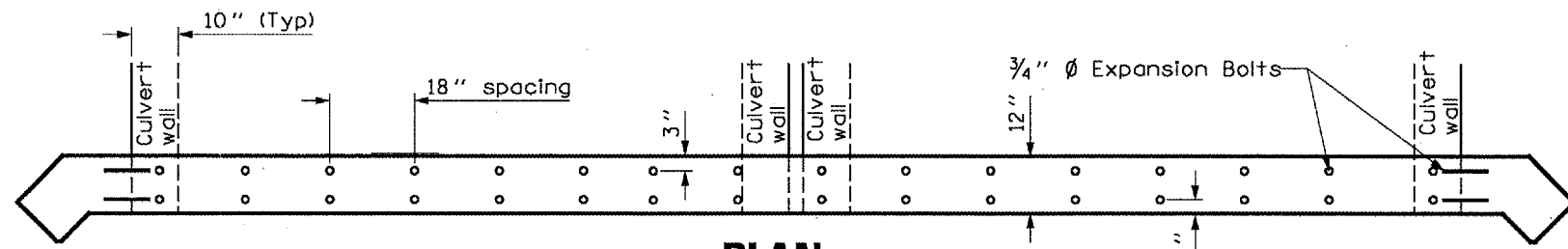
SECTION THRU BARRELS



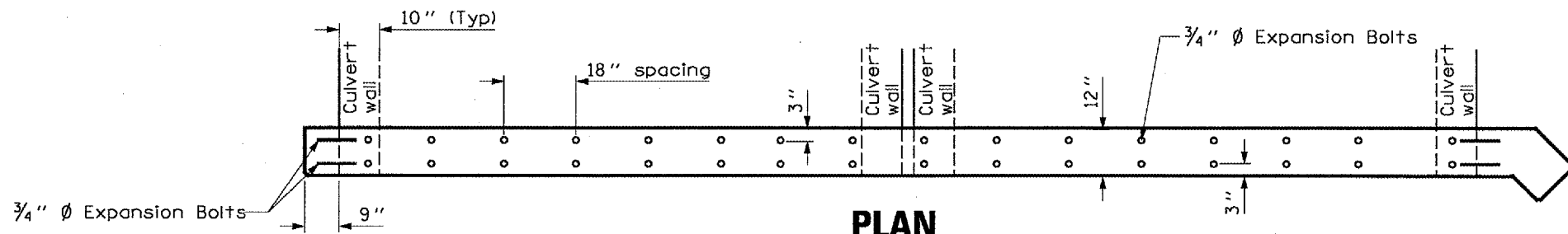
ELEVATION

BILL OF MATERIAL

Item	Unit	Total
3/4" ϕ x 9" Expansion Bolts	Each	192



PLAN WEST HEADWALL



PLAN EAST HEADWALL

REVISIONS	
NAME	DATE

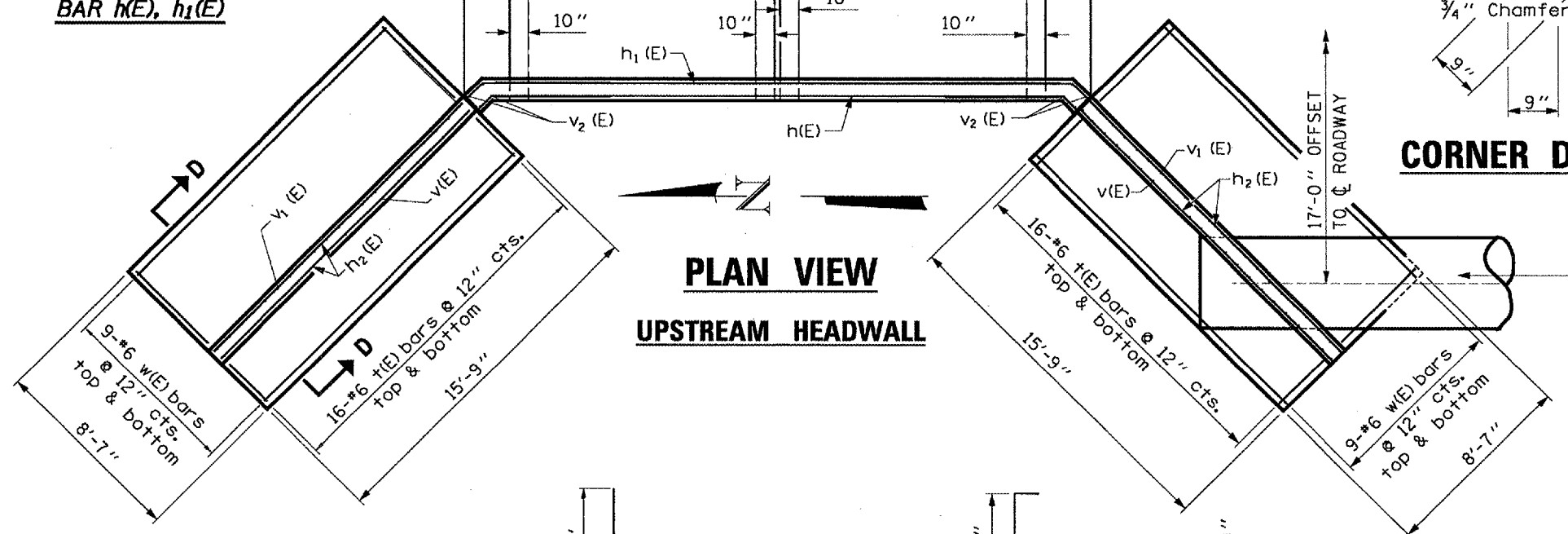
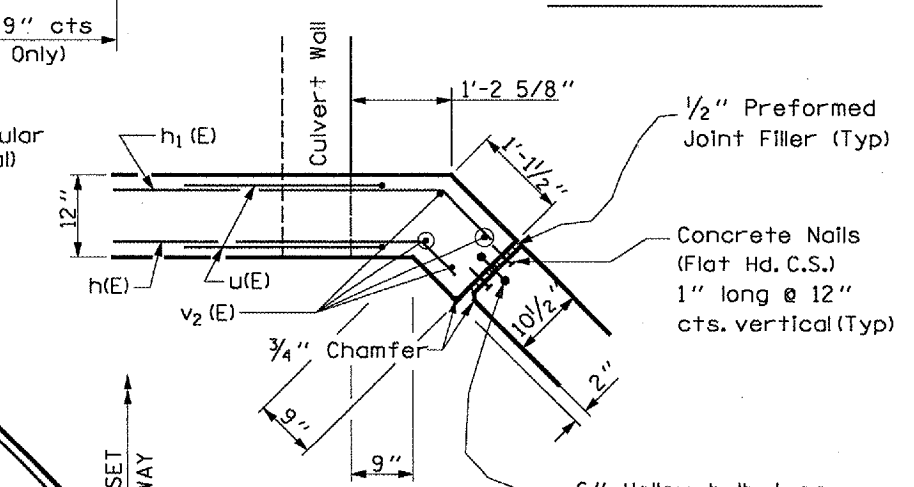
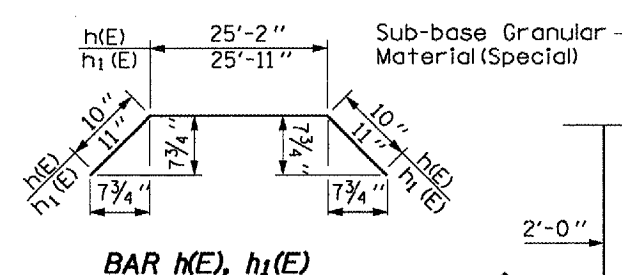
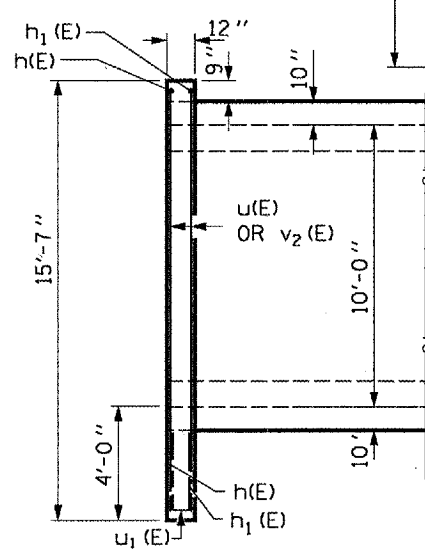
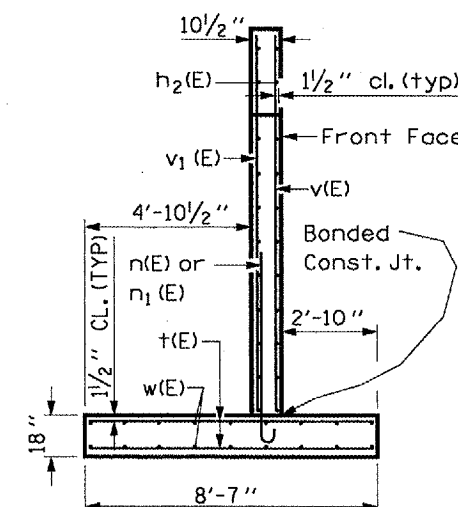
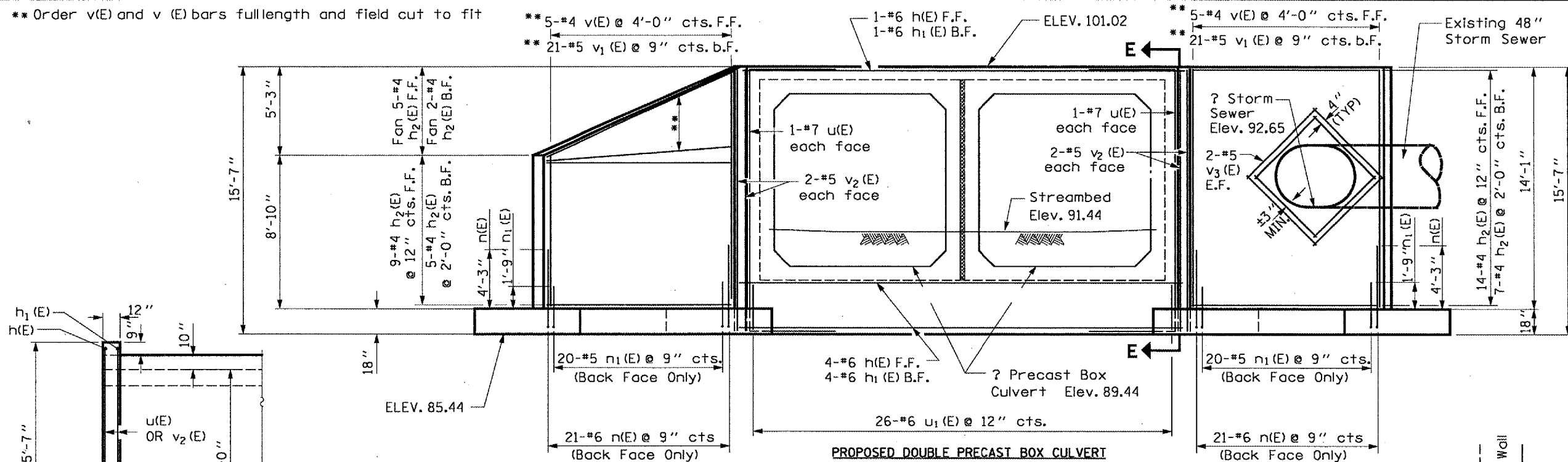
ILLINOIS DEPARTMENT OF TRANSPORTATION
HEADWALL ANCHORING DETAILS
 (DWIGHT MAINTENANCE YARD)
 LIVINGSTON COUNTY
 S.N. 053-2041

DATE: 02/24/2006 DRAWN BY: RW

DATE: March 27, 2006
 FILE: c:\projects\cma\in07\cm315\details.dgn

RTE.	SECTION	COUNTY	TOTAL SHEETS	SHEET NO.
		LIVINGSTON	10	8

• DWIGHT MAINTENANCE YARD
• DWIGHT MAINTENANCE YARD



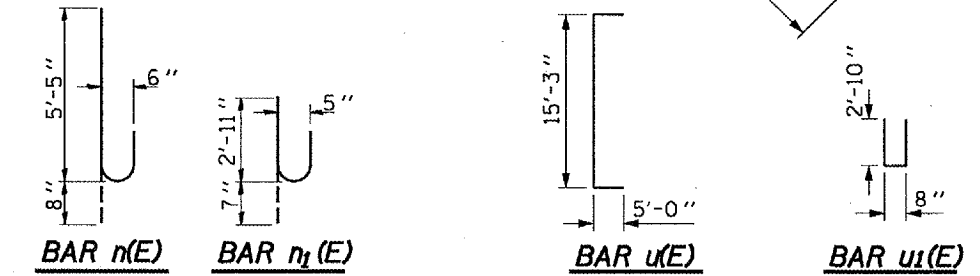
BILL OF MATERIAL

BAR	NO.	SIZE	LENGTH (FT)	SHAPE
h(E)	5	6	26'-10"	
h ₁ (E)	5	6	27'-9"	
h ₂ (E)	42	4	15'-5"	
n(E)	42	6	6'-1"	
n ₁ (E)	40	5	3'-6"	
t(E)	64	6	8'-3"	
u(E)	4	6	25'-3"	
u ₁ (E)	26	6	6'-4"	
v(E)	10	4	13'-10"	
v ₁ (E)	42	5	13'-10"	
v ₂ (E)	8	5	15'-3"	
v ₃ (E)	16	5	6'-0"	
w(E)	36	6	15'-5"	

• Concrete Structures Cu. Yd. 25.9

• Reinforcement Bars (Epoxy Coated) Pound 4355

(E) DENOTES EPOXY COATED



NOTE: THE EXISTING 48" Ø STORM SEWER SHALL BE SUPPORTED BY METHODS APPROVED BY THE ENGINEER DURING THE REMOVAL AND RECONSTRUCTION OF THE WINGWALL.

MIN BAR LAP

#4	= 1'-8"
#5	= 2'-2"
#6	= 2'-7"

NOTE: F.F. INDICATES FRONT FACE
B.F. INDICATES BACK FACE

REVISIONS

NAME	DATE

ILLINOIS DEPARTMENT OF TRANSPORTATION

UPSTREAM HEADWALL DETAILS

(DWIGHT MAINTENANCE YARD)

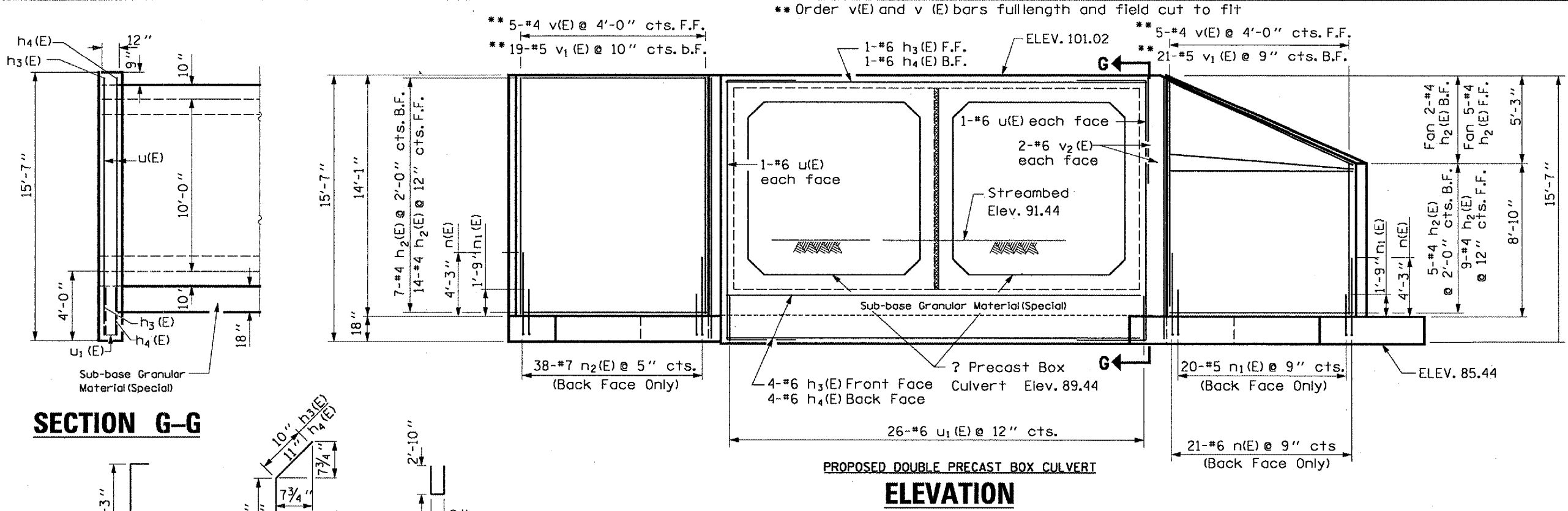
LIVINGSTON COUNTY

S.N. 053-2041

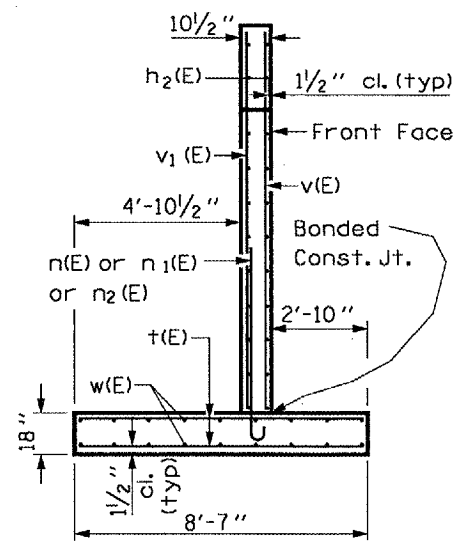
DATE: 02/24/2006 DRAWN BY: RW

RTE.	SECTION	COUNTY	TOTAL SHEETS	SHEET NO.
•	••	LIVINGSTON	10	9

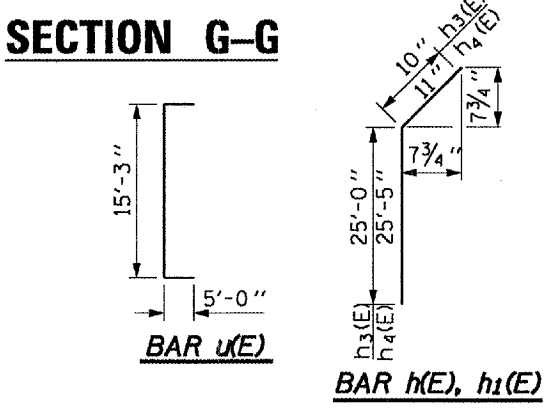
• DWIGHT MAINTENANCE YARD
 •• (DWIGHT MAINTENANCE YARD)



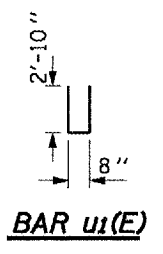
PROPOSED DOUBLE PRECAST BOX CULVERT
ELEVATION



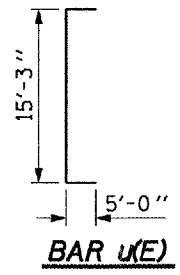
SECTION F-F



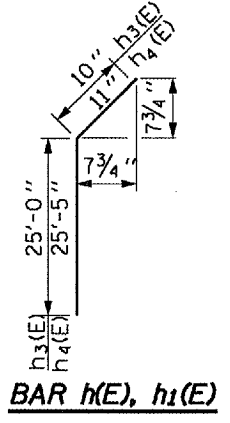
SECTION G-G



BAR u1(E)



BAR u(E)

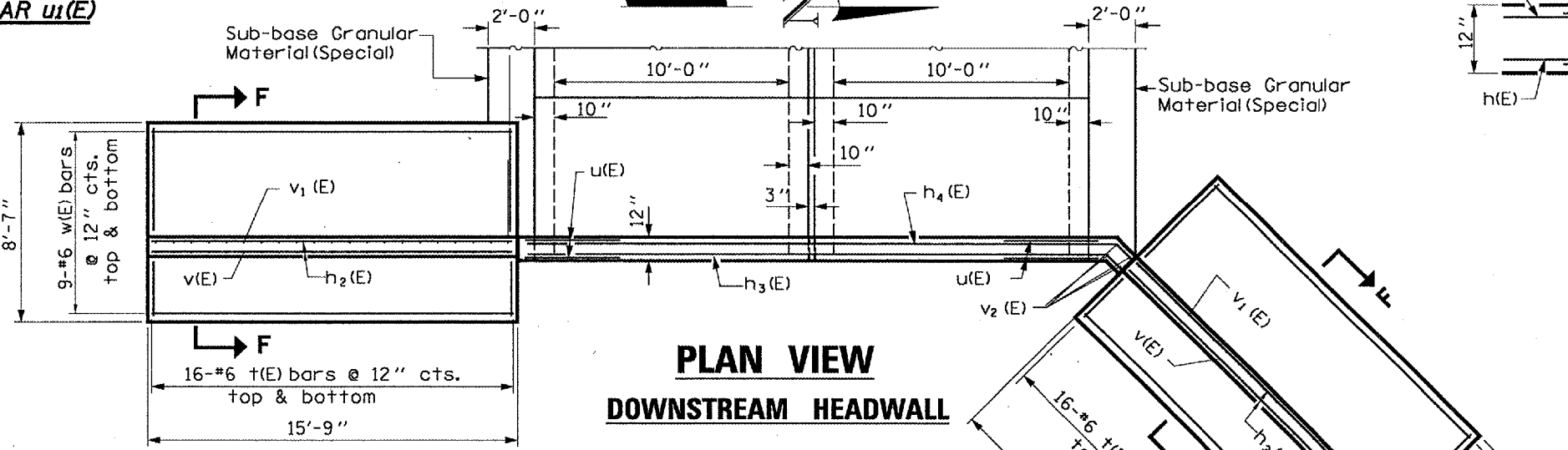


BAR h(E), h1(E)

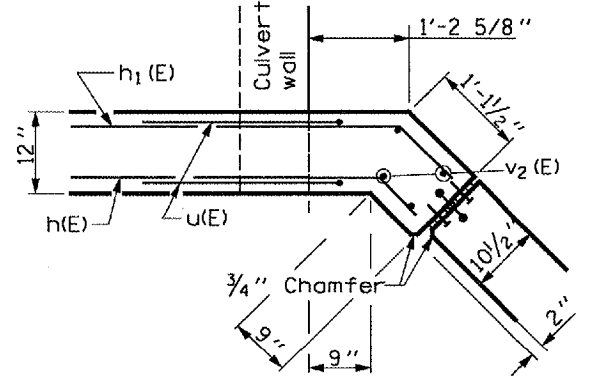
BILL OF MATERIAL

BAR	NO.	SIZE	LENGTH (FT)	SHAPE
h2(E)	42	4	15'-5"	—
h3(E)	5	6	25'-10"	—
h4(E)	5	6	26'-4"	—
n(E)	21	6	6'-1"	—
n1(E)	20	5	3'-6"	—
n2(E)	38	7	7'-6"	—
t(E)	64	6	8'-3"	—
u(E)	4	6	25'-3"	—
u1(E)	26	6	6'-4"	—
v(E)	10	4	13'-10"	—
v1(E)	40	5	13'-10"	—
v2(E)	4	5	15'-3"	—
w(E)	36	6	15'-5"	—
Concrete Structures			Cu. Yd.	24.6
Reinforcement Bars (Epoxy Coated)			Pound	4430

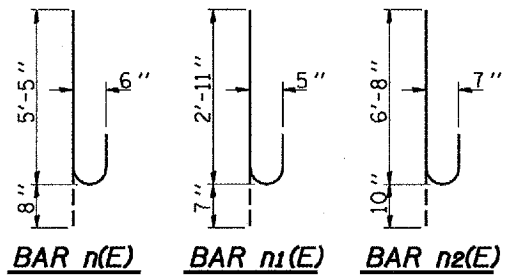
(E) DENOTES EPOXY COATED



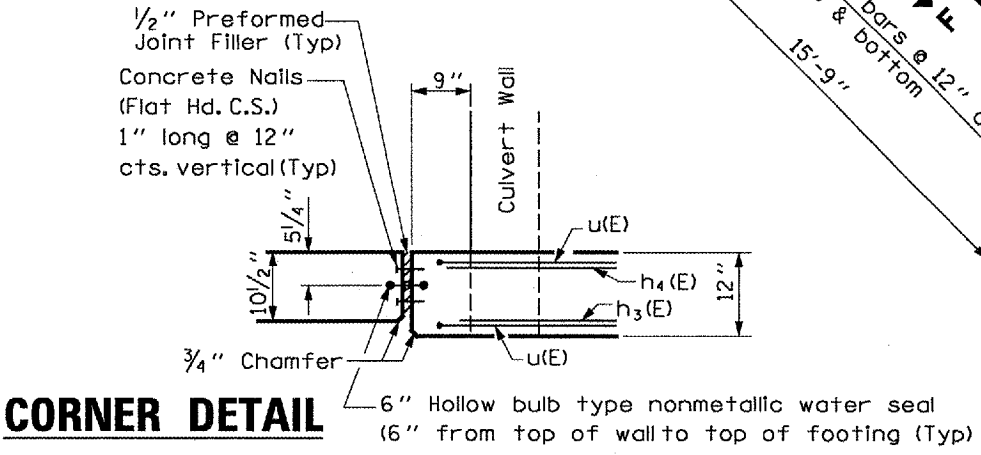
**PLAN VIEW
 DOWNSTREAM HEADWALL**



CORNER DETAIL



BAR n(E) BAR n1(E) BAR n2(E)



CORNER DETAIL

MIN BAR LAP

#4	1'-8"
#5	2'-2"
#6	2'-7"

NOTE: F.F. INDICATES FRONT FACE
 B.F. INDICATES BACK FACE

REVISIONS

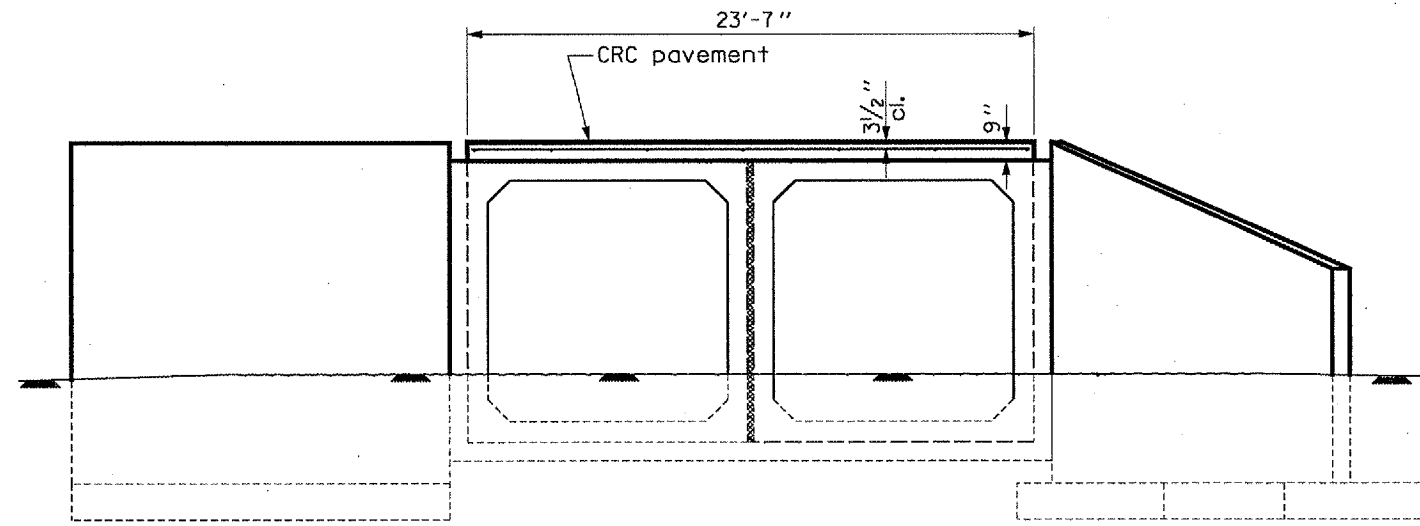
NAME	DATE

ILLINOIS DEPARTMENT OF TRANSPORTATION
**DOWNSTREAM HEADWALL
 DETAILS**
 (DWIGHT MAINTENANCE YARD)
 LIVINGSTON COUNTY
 S.N. 053-2041

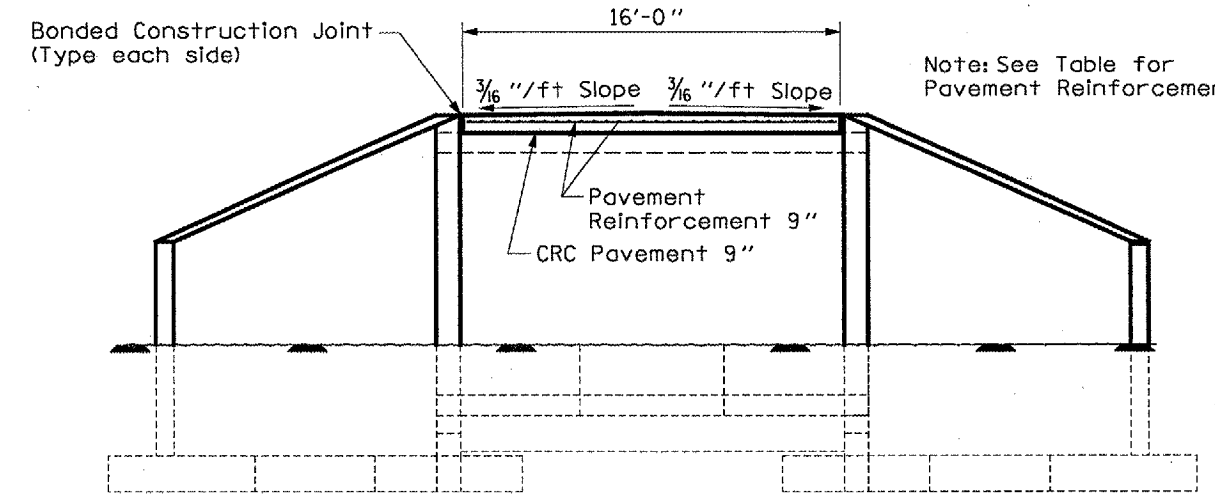
DATE: March 27, 2006
 FILE: c:\projects\ama\lnt\cm315\detail.s.dgn

RTE.	SECTION	COUNTY	TOTAL SHEETS	SHEET NO.
		LIVINGSTON	10	10

• DWIGHT MAINTENANCE YARD
 •• (DWIGHT MAINTENANCE YARD)

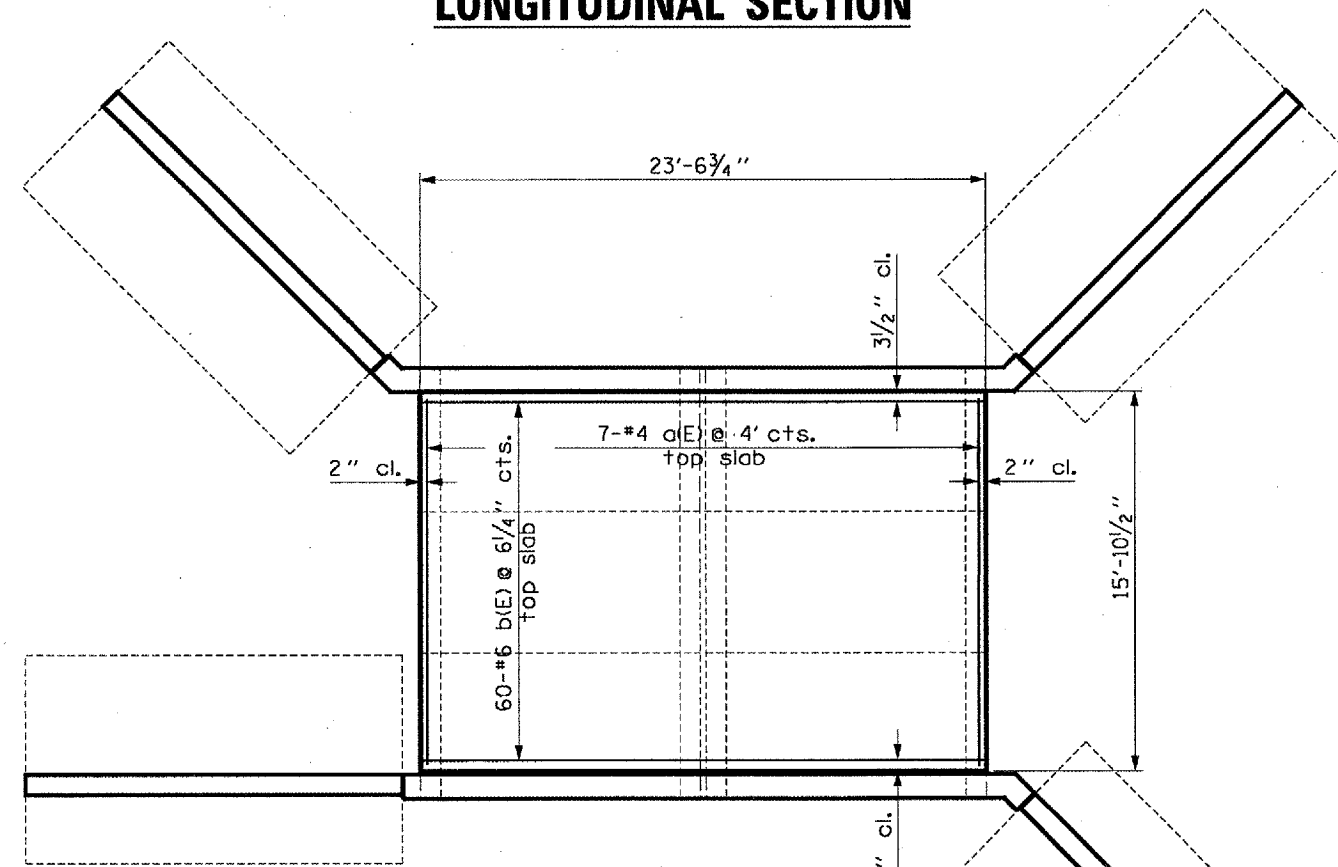


LONGITUDINAL SECTION

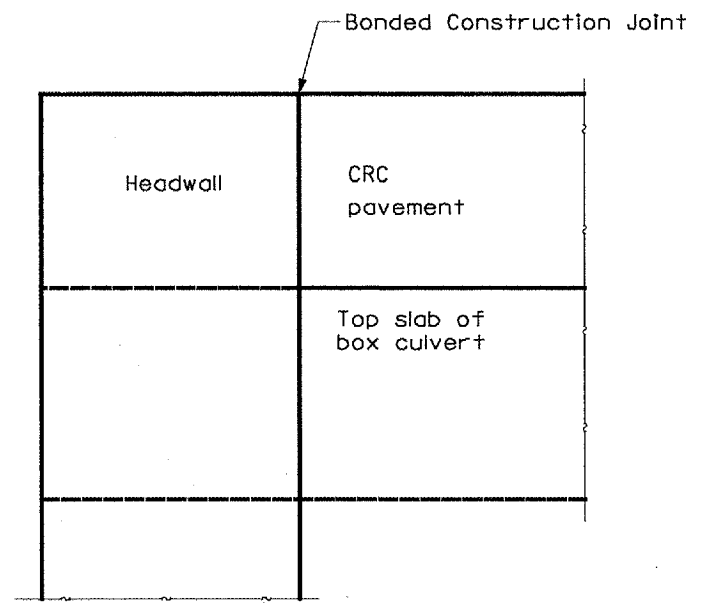


TRANSVERSE SECTION

LOOKING SOUTH



PLAN



HEADWALL DETAIL

*** BILL OF MATERIAL**

BAR	NO.	SIZE	LENGTH (FT)	SHAPE
#4 a(E)	7	#5	23'-2"	—
#6 b(E)	60	#6	15'-8"	—
Continuously reinforced portland Cement concrete pavement 9"			SQ YD	42
Pavement Reinforcement 9"			SQ YD	42

REVISIONS	
NAME	DATE

ILLINOIS DEPARTMENT OF TRANSPORTATION
DECK/PAVEMENT DETAILS
 (DWIGHT MAINTENANCE YARD)
 LIVINGSTON COUNTY
 S.N. 053-2041

* For information only, included in the cost of PRECAST CONCRETE BOX CULVERT 10' X 10' (M273)

DATE: March 27, 2006
 FILE: c:\projects\cma\lno7\cm315\detail11.s.dgn