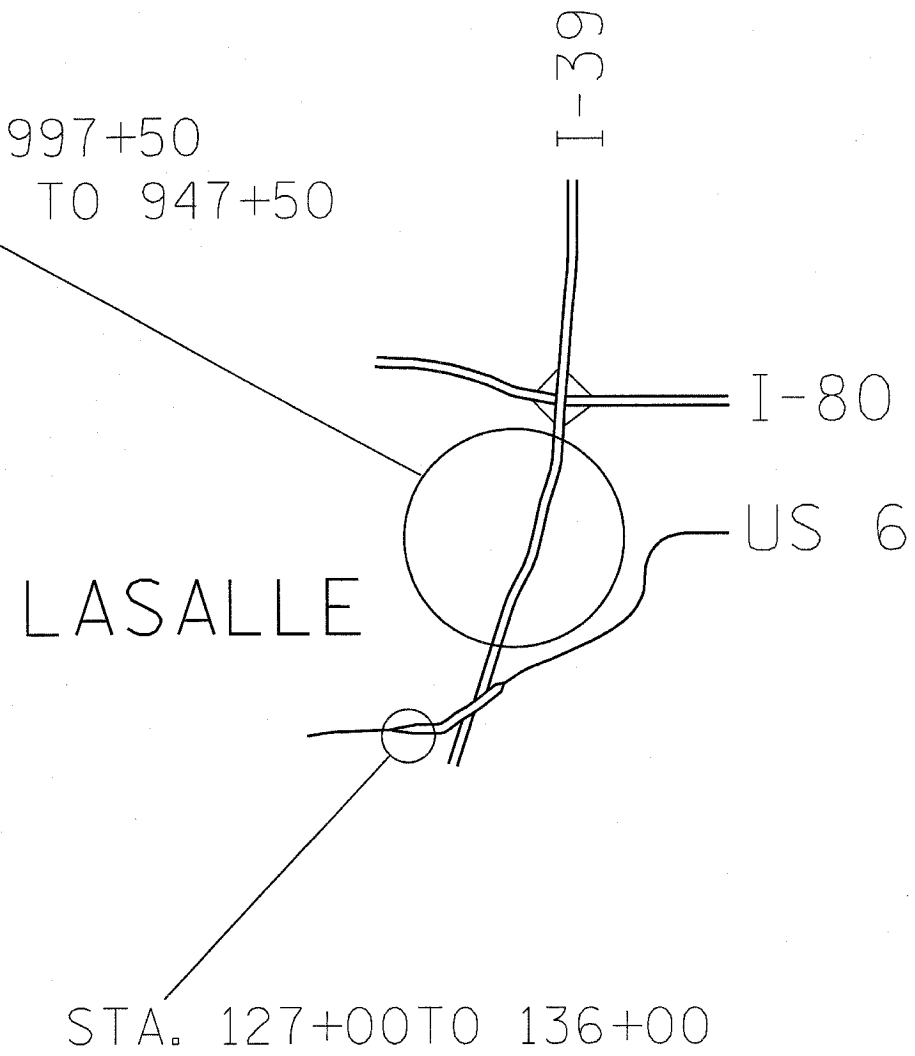


F. A. ATE.	SECTION	COUNTY	TOTAL SHEETS	SHEET NO.
VAR.	●	VAR.	4	3
STA.	TO STA.			
FED. ROAD DIST. NO.	ILLINOIS	FED. AID PROJECT		

● D-3 TREE PLANTING 2007
CONTRACT #66675

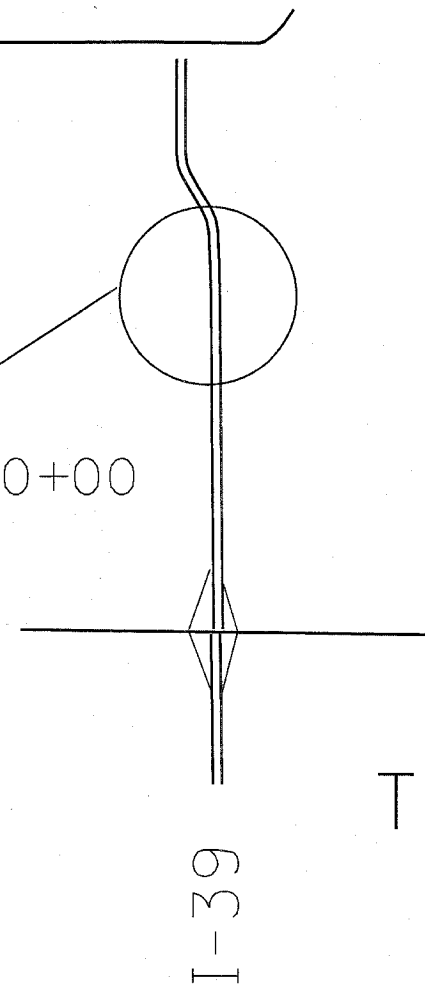
STA. 955+00 TO 997+50
AND STA. 937+50 TO 947+50



STA. 127+00 TO 136+00

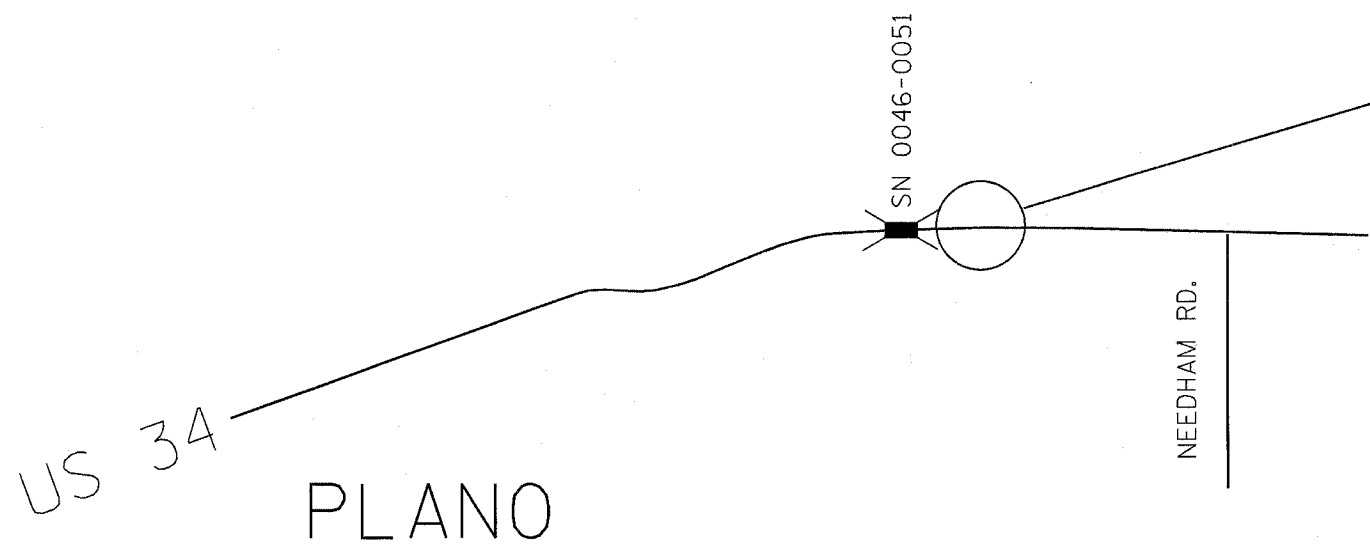
IL 71

STA. 250+00 TO 260+00



TONICA

STA. 164+50 TO 167+50



US 34
PLANO

NEEDHAM RD.

SN 0046-0051

REVISIONS	
NAME	DATE

ILLINOIS DEPARTMENT OF TRANSPORTATION
**LOCATION
MAP**

3/31/2006
c:\projects\led01906\def\l1s.dgn