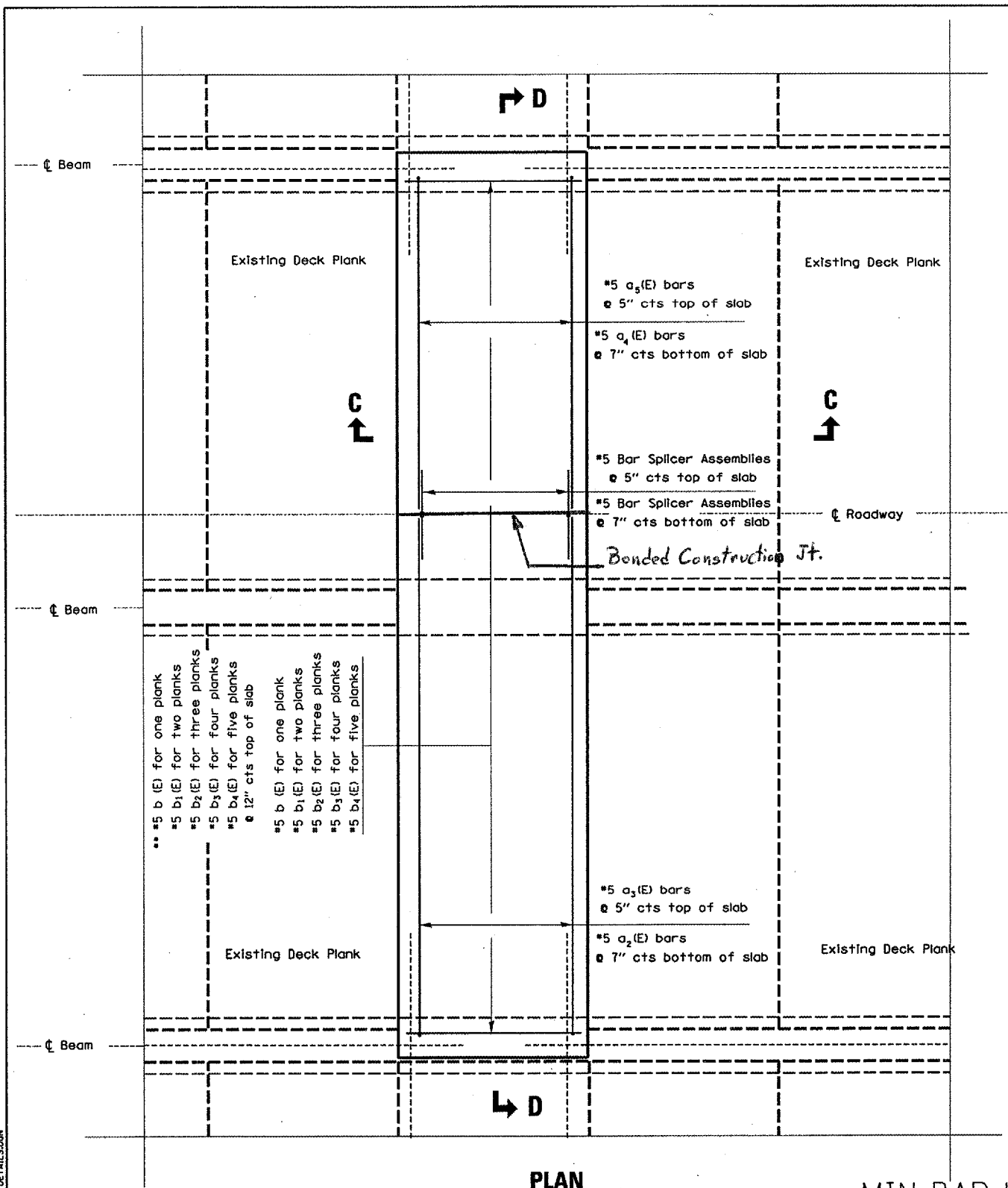


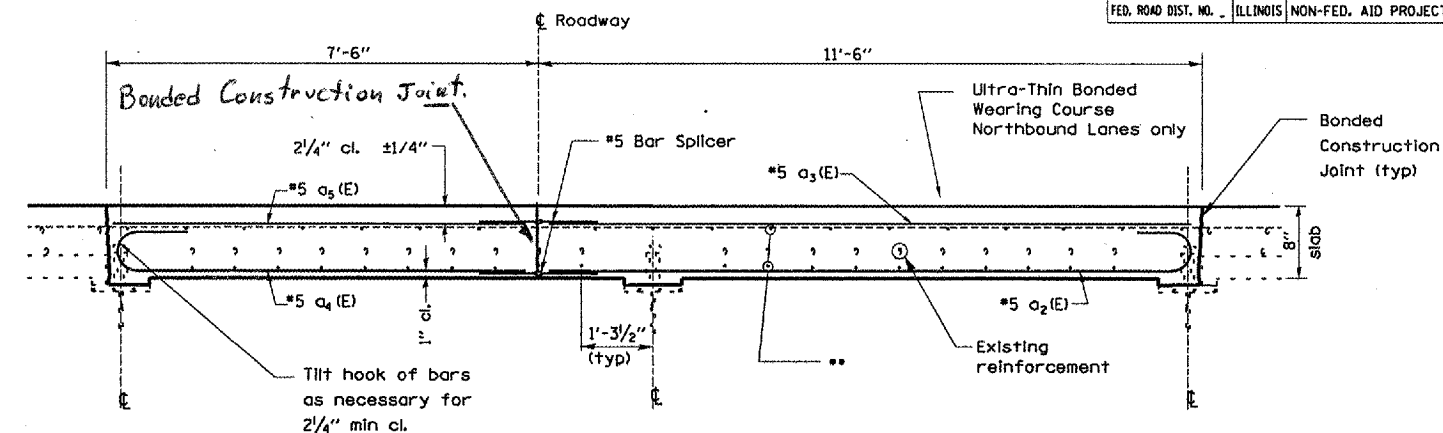
F.A.I. RTE.	SECTION	COUNTY	TOTAL SHEETS	SHEET NO.
39	(50-4B)1-4	LASALLE	18	15
FED. ROAD DIST. NO. ILLINOIS NON-FED. AID PROJECT				



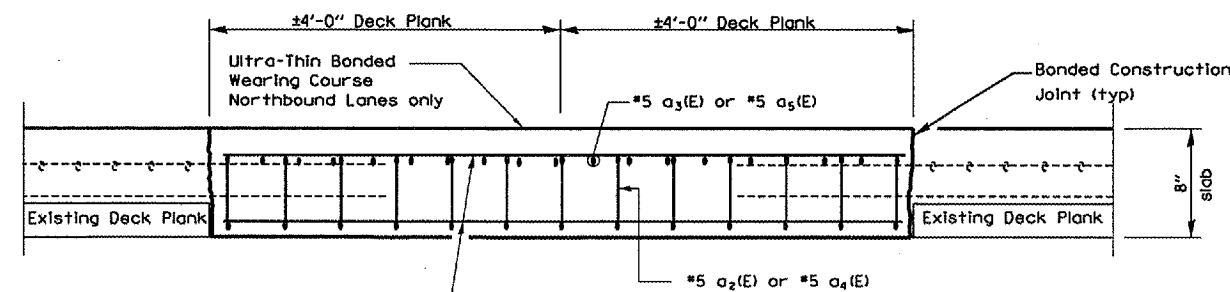
**PLAN**  
**MULTIPLE PLANK RECONSTRUCTION**

MIN BAR LAP

- #4 BAR 1'-8"
- #5 BAR 2'-2"
- #6 BAR 2'-7"
- #8 BAR 4'-6"



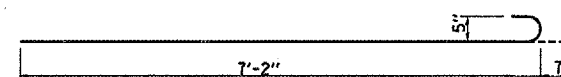
**SECTION D-D**



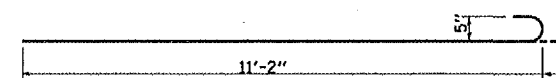
**SECTION C-C**

**REINFORCEMENT SCHEDULE**

BAR	SIZE	LENGTH	SHAPE
a2 (E)	5	11'-9"	U
a3 (E)	5	11'-2"	—
a4 (E)	5	7'-9"	U
a5 (E)	5	7'-2"	—
b (E)	5	3'-8"	—
b1 (E)	5	7'-8"	—
b2 (E)	5	11'-8"	—
b3 (E)	5	15'-8"	—
b4 (E)	5	19'-8"	—



**#5 a<sub>4</sub> (E)**



**#5 a<sub>2</sub> (E)**

REVISIONS	
NAME	DATE

ILLINOIS DEPARTMENT OF TRANSPORTATION  
**DECK RECONSTRUCTION DETAIL**  
**CASE II - MULTIPLE PANELS**  
I-39 OVER THE ILLINOIS RIVER  
F.A.I. ROUTE 39  
SECTION: (50-4B)-4  
LASALLE COUNTY  
S.N. 050-0191

DATE: 05/01/2006 C:\PROJECTS\DESIGN\PLAN\BE LINCOLN\66678\DETAILS.DWG