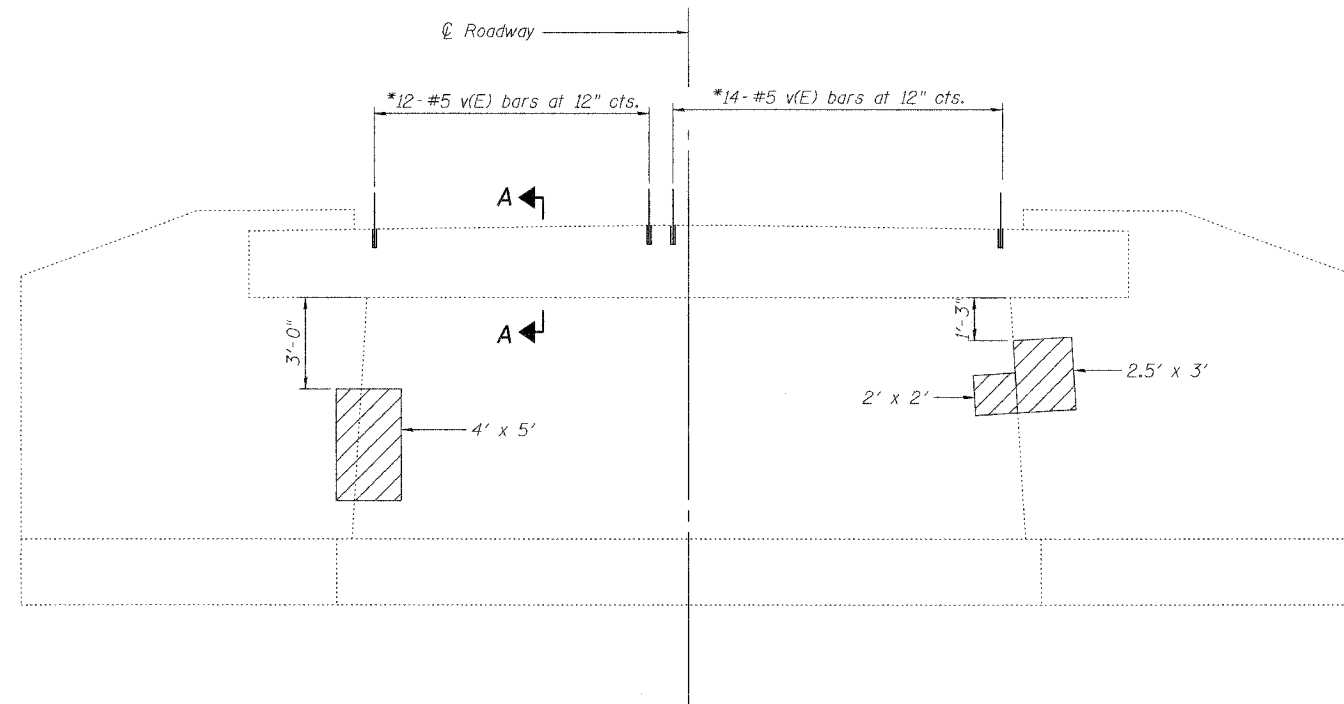


STATE OF ILLINOIS
DEPARTMENT OF TRANSPORTATION

| | | | | | |
|-----------------------|----------|------------------|--------------|-----------|--------------|
| ROUTE NO. | SECTION | COUNTY | TOTAL SHEETS | SHEET NO. | SHEET NO. 12 |
| F.A.P. 693 | 119B-311 | TAZEWELL | 34 | 21 | 14 SHEETS |
| FED. ROAD DIST. NO. 7 | ILLINOIS | FED. AID PROJECT | | | |

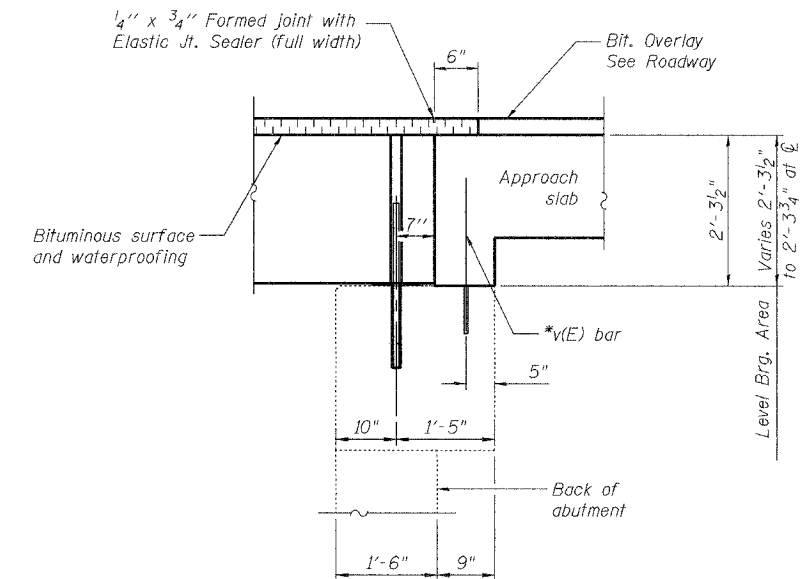
Contract #



Elevation-East Abutment
(LOOKING EAST)

LEGEND

- Structural Repair of Concrete

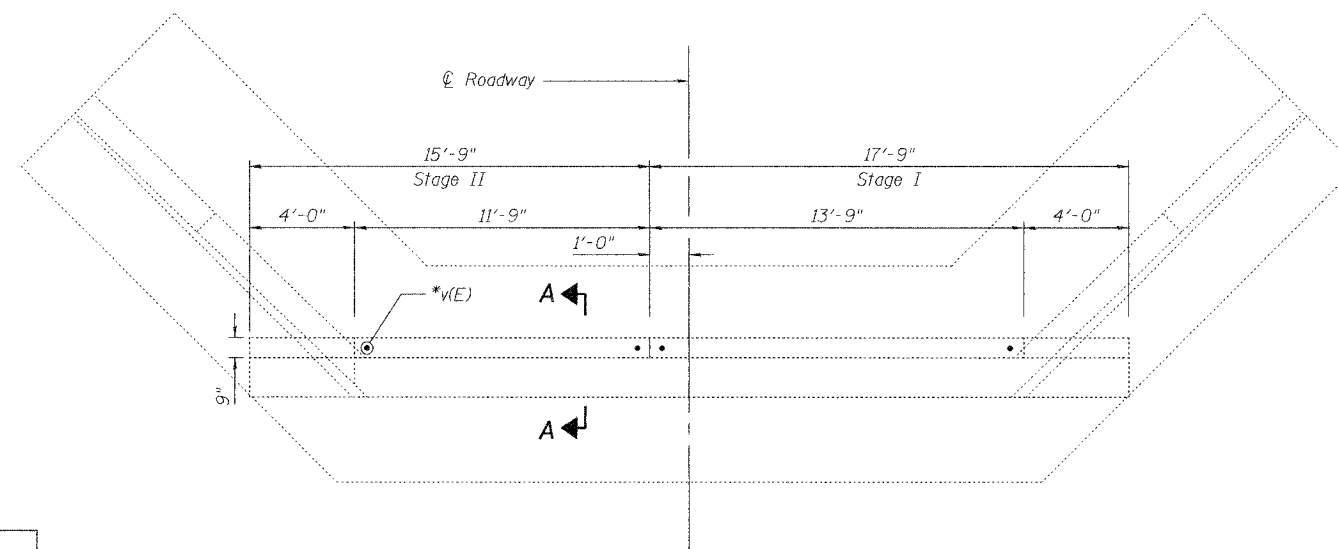


SECTION A-A

* Epoxy grout v(E) bars in 9" (Min.) drilled holes according to Section 584 of the Standard Specification

BILL OF MATERIAL

| Bar | No. | Size | Length | Shape |
|--|-----|------|---------|-------|
| v(E) | 26 | #5 | 2'-0" | — |
| Reinforcement Bars, Epoxy Coated | | | Pound | 50 |
| Structural Repair of Concrete (Depth Equal to or Less Than 5") | | | Sq. Ft. | 31.5 |



Plan

| | |
|---------------------|--|
| DESIGNED <i>BWP</i> | THOUVENOT, WADE & MOERCHEN, INC. ENGINEERS • SURVEYORS • PLANNERS CORPORATE OFFICE #940 OLD COLLINGSVILLE RD. SPANGLER, ILLINOIS 62226 TEL. (618) 624-4488 FAX (618) 624-6488 E-MAIL: cor@twm-inc.com |
| CHECKED <i>KPC</i> | |
| DRAWN <i>BWP</i> | |
| CHECKED <i>KPC</i> | |

**EAST ABUTMENT
CONCRETE REPAIR
ILLINOIS ROUTE 9 OVER
PRAIRIE CREEK
F.A.P. ROUTE 693 SECTION (119B-311)
TAZEWELL COUNTY
SN 090-0061**