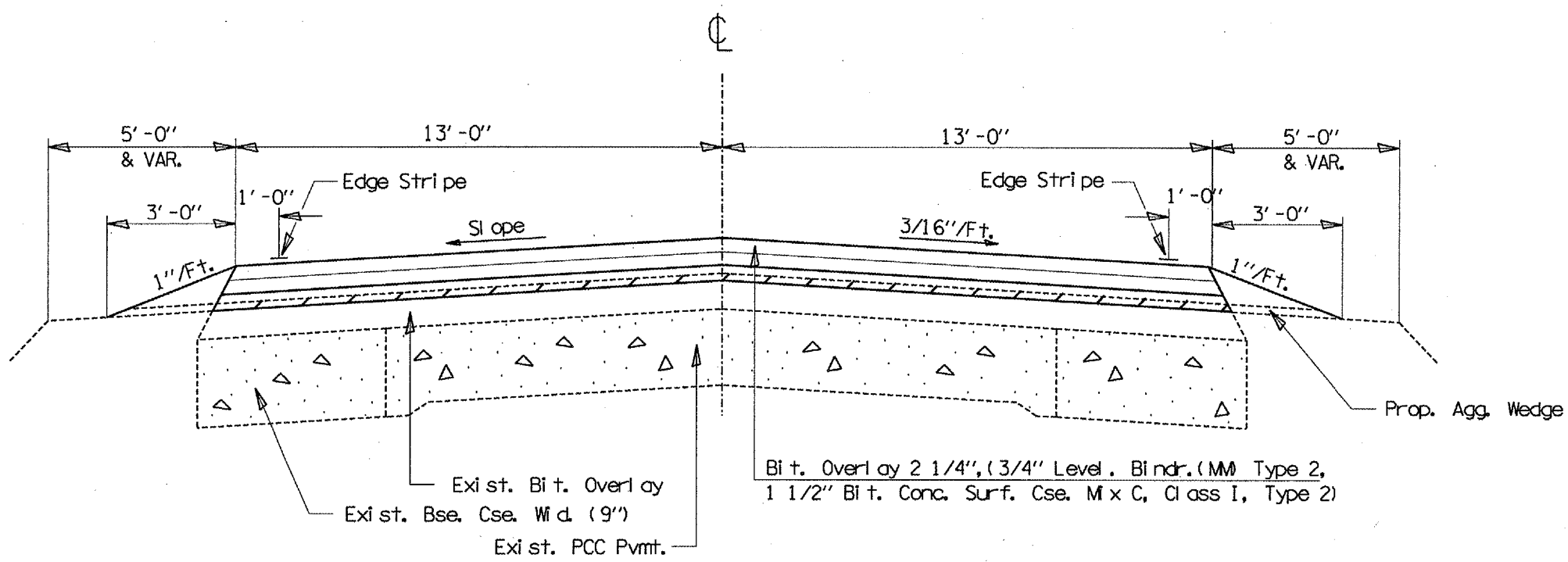
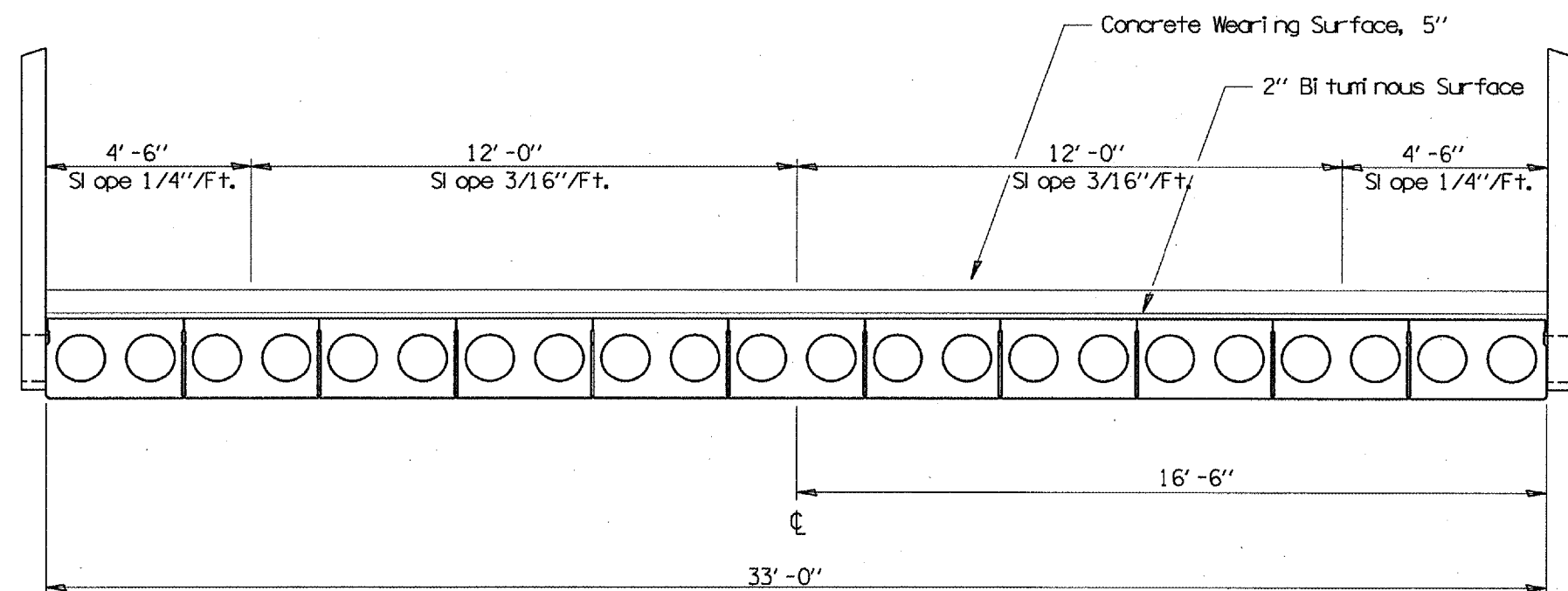


F.A.P. RTE.	SECTION	COUNTY	TOTAL SHEETS	SHEET NO.
701	(128BR11-1	TAZEWELL	30	7
STA. 77+63.98		TO STA. 78+48.02		
FED. ROAD DIST. NO. 4 ILLINOIS FED. AID PROJECT				



Exi st. Typical Section  
Sta. 63+10 to 77+64.5  
Sta. 78+47 to Sta. 84+00

Bit. Overlay 2 1/4", (3/4" Level, Bindr. (MM) Type 2,  
1 1/2" Bit. Conc. Surf. Cse. M x C, Class I, Type 2)



STA. 77+64.5 TO STA. 78+47

REVISIONS	
NAME	DATE

ILLINOIS DEPARTMENT OF TRANSPORTATION  
**TYPICAL SECTIONS**  
SCALE: VERT. \_\_\_\_\_  
HORIZ. \_\_\_\_\_  
DATE 03-30-2006  
DRAWN BY CEJ  
CHECKED BY \_\_\_\_\_

DATE  
NAME  
SCALE  
REFERENCE