

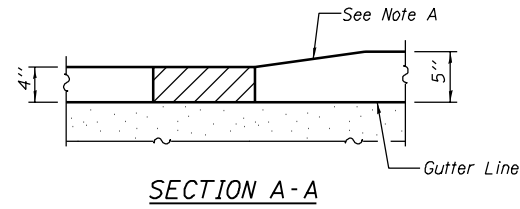
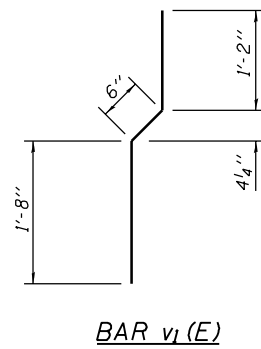
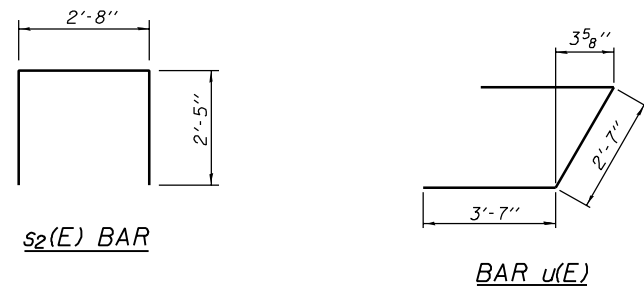
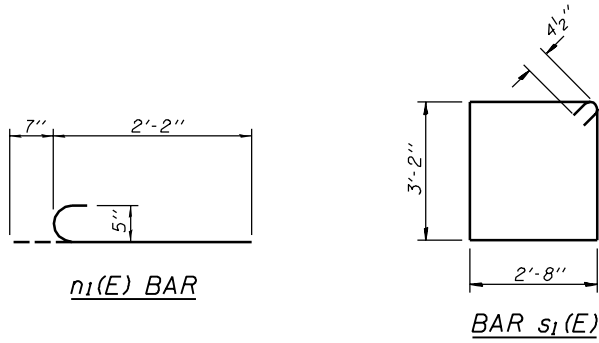
STATE OF ILLINOIS
DEPARTMENT OF TRANSPORTATION

ROUTE NO.	SECTION	COUNTY	TOTAL SHEETS	SHEET NO.
FAS 1671	**	DOUGLAS	181	81
FED. ROAD DIST. NO. 7	ILLINOIS	FED. AID PROJECT		

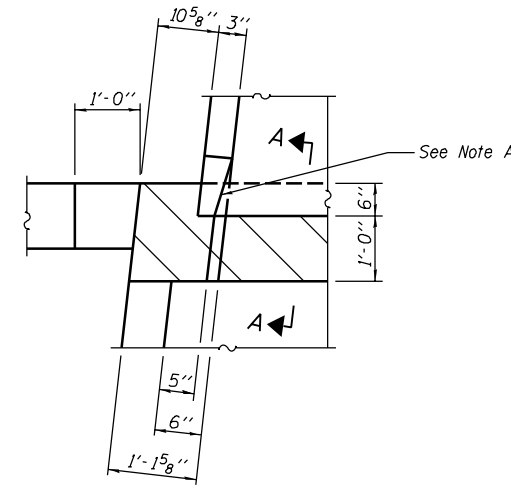
SHEET NO. 11
14 SHEETS

Contract #70258 **144SBR-2 & 22VBR-1

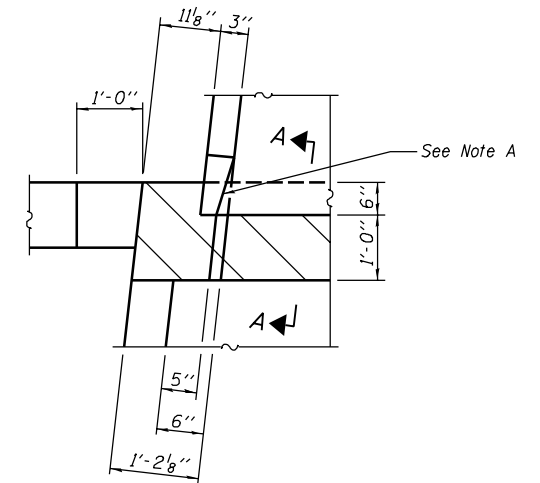
Notes: For Bar Splicer details see sheet 13 of 14.
Reinforcement bars designated (E) shall be epoxy coated.
Space reinforcement in cap to miss dowel rods.
Hatched area and Backwall to be poured after Concrete Wearing Surface is in place and cured.



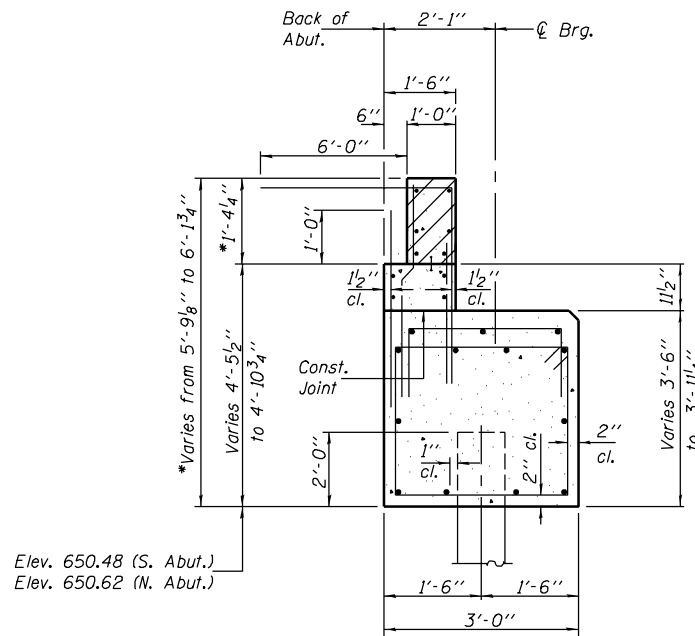
Note A:
This portion of the curb on Bridge Approach may be feathered to transition from curb shape on structure.



DETAIL A
Curb on East side of South Abutment shown.
Curb on East side of North Abutment similar.

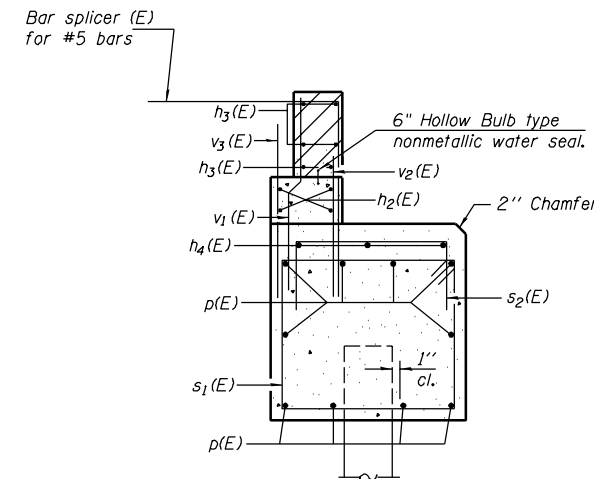


DETAIL B
Curb on West side of North Abutment shown.
Curb on West side of South Abutment similar.

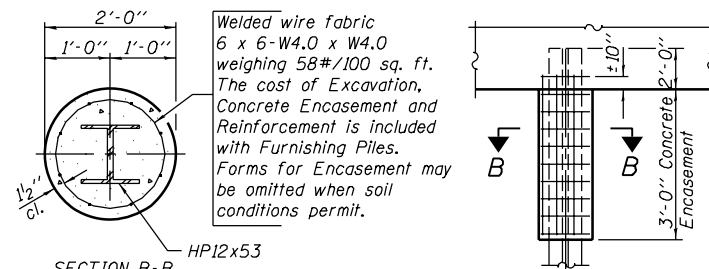


SECTION THRU ABUTMENT
(Showing Dimensions at Rt. L's)

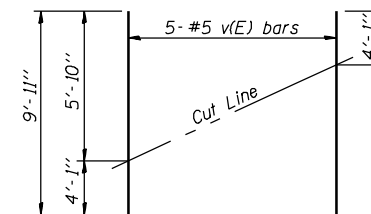
*Prior to grinding



SECTION THRU ABUTMENT
(Showing Reinforcement at Rt. L's)



PILE ENCASEMENT DETAIL



FIELD CUTTING DIAGRAM

Order v(E) full length. Cut as shown and use remainder of bars in opposite face.

BILL OF MATERIAL
FOR TWO ABUTMENTS

Bar	No.	Size	Length	Shape
h(E)	56	#4	6'-7"	—
h1(E)	32	#4	7'-2"	—
h2(E)	8	#4	37'-3"	—
h3(E)	12	#6	37'-3"	—
h4(E)	6	#4	7'-0"	—
n1(E)	8	#5	2'-9"	—
p(E)	20	#7	37'-3"	—
s1(E)	76	#4	12'-5"	□
s2(E)	14	#4	7'-6"	□
u(E)	16	#6	9'-9"	—
v(E)	20	#5	9'-11"	—
v1(E)	72	#5	3'-4"	—
v2(E)	72	#4	2'-11"	—
v3(E)	72	#5	2'-11"	—
Concrete Structures		Cu. Yd.	42.4	
Reinforcement Bars, Epoxy Coated		Pound	4600	
Structure Excavation		Cu. Yd.	156	
Furnishing Steel Piles HP12x53		Foot	240	
Driving Steel Piles		Foot	240	
Test Pile Steel HP12x53		Each	2	

DESIGNED	SMR
CHECKED	PRL
DRAWN	BECKY M. LEACH
CHECKED	SMR/PRL

August 4, 2006
EXAMINED *Thomas J. Domagala*
DRAWN *Becky M. Leach*
PASSED *Ralph E. Anderson*
ENGINEER OF BRIDGE DESIGN
ENGINEER OF BRIDGES AND STRUCTURES

ABUTMENT DETAILS
F.A.S. ROUTE 1671 - SECTION 144SBR-2
DOUGLAS COUNTY
STATION 1130+72.93
STRUCTURE NO. 021-0062