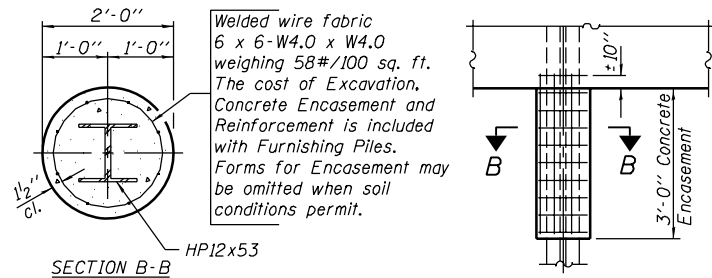


STATE OF ILLINOIS
DEPARTMENT OF TRANSPORTATION

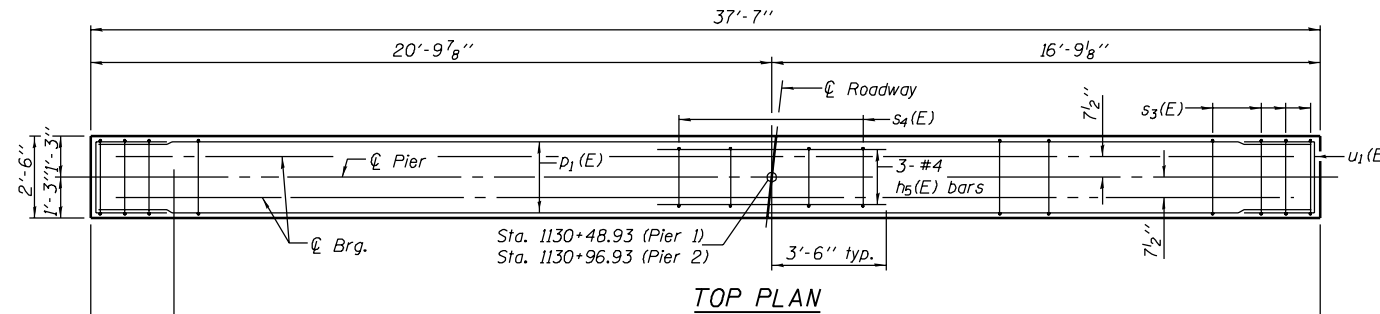
ROUTE NO.	SECTION	COUNTY	TOTAL SHEETS	SHEET NO.
FAS 1671	*	DOUGLAS	181	82
FED. ROAD DIST. NO. 7	ILLINOIS	FED. AID PROJECT		

SHEET NO. 12
14 SHEETS

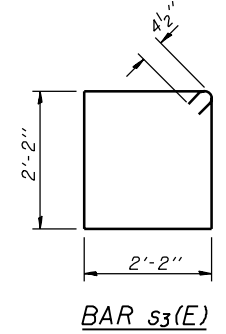
Contract #70258 *144SBR-2 & 22VBR-1



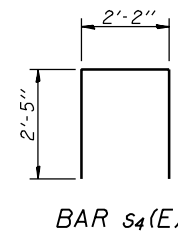
PILE ENCASEMENT DETAIL



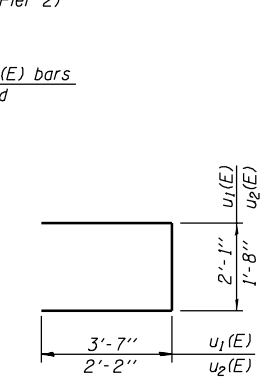
TOP PLAN



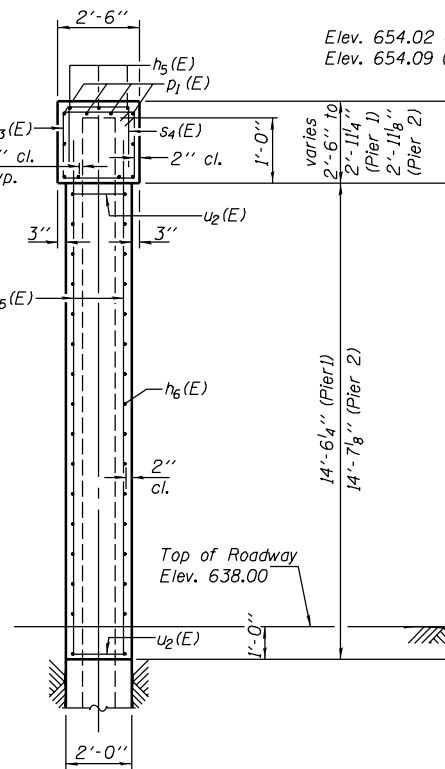
BAR s3(E)



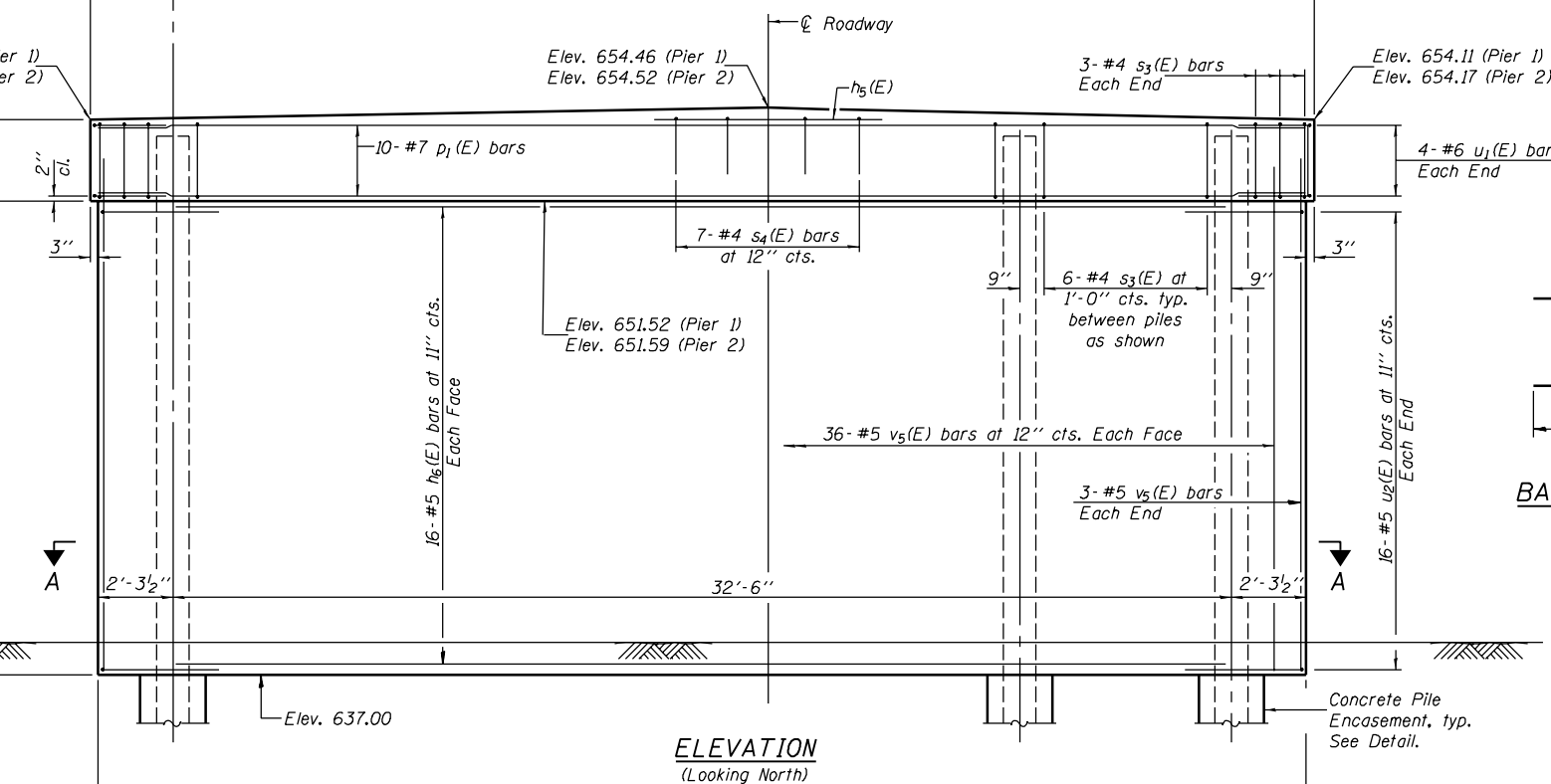
BAR s4(E)



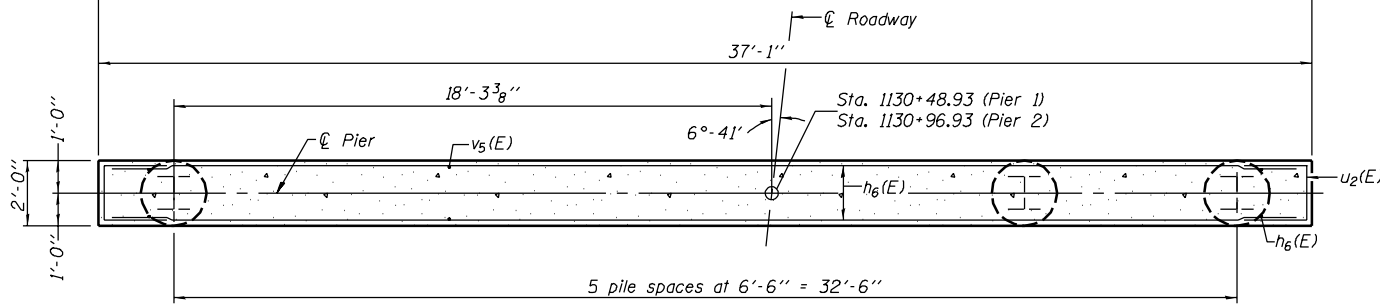
BARS u1(E) & u2(E)



END VIEW



ELEVATION
(Looking North)



SECTION A-A

Notes:
Space reinforcement in cap to miss dowel rods.

PILE DATA

Type: HPI2x53
Design Capacity: 51.4 tons
Required Bearing: 77.1 tons
Est. Length: 33 ft. (Pier 1) - 36 ft. (Pier 2)
No. Req'd: 5+1 test pile (Pier 1)
5+1 test pile (Pier 2)

DESIGNED	SMR
CHECKED	PRL
DRAWN	BECKY M. LEACH
CHECKED	SMR/PRL

August 4, 2006
EXAMINED *Thomas J. Domagalaki*
PRINCIPAL ENGINEER OF BRIDGE DESIGN
PASSED *Ralph E. Anderson*
ENGINEER OF BRIDGES AND STRUCTURES

BILL OF MATERIAL
FOR TWO PIERS

Bar	No.	Size	Length	Shape
h5(E)	6	#4	7'-0"	—
h6(E)	64	#5	36'-9"	—
p1(E)	20	#7	37'-3"	—
s3(E)	72	#4	9'-5"	□
s4(E)	14	#4	7'-0"	□
u1(E)	16	#6	9'-3"	□
u2(E)	64	#5	6'-0"	□
v5(E)	156	#5	16'-6"	—
Concrete Structures	Cu. Yd.		99.0	
Reinforcement Bars, Epoxy Coated	Pound		7830	
Structure Excavation	Cu. Yd.		65	
Furnishing Steel Piles HPI2x53	Foot		345	
Driving Steel Piles HPI2x53	Foot		345	
Test Pile Steel HPI2x53	Each		2	

Reinforcement Bars designated (E) shall be epoxy coated.

PIERS
F.A.S. ROUTE 1671 - SECTION 144SBR-2
DOUGLAS COUNTY
STATION 1130+72.93
STRUCTURE NO. 021-0062