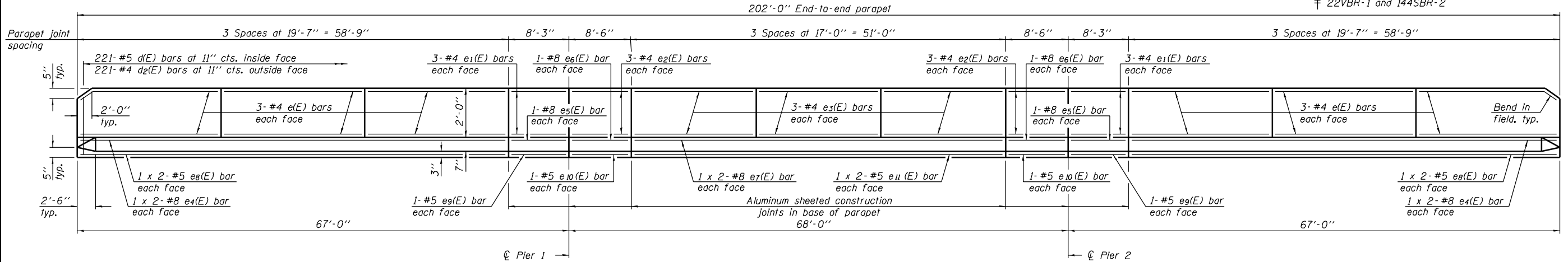
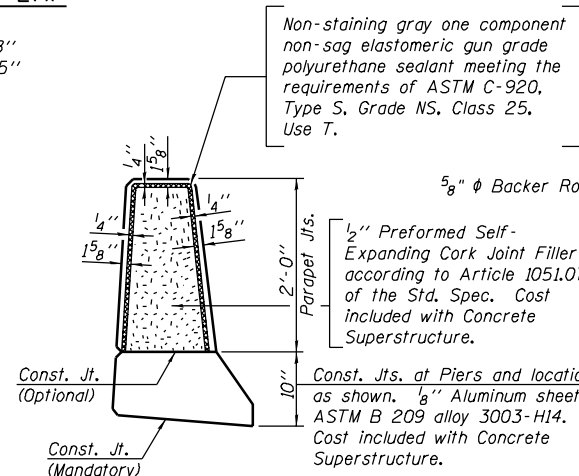
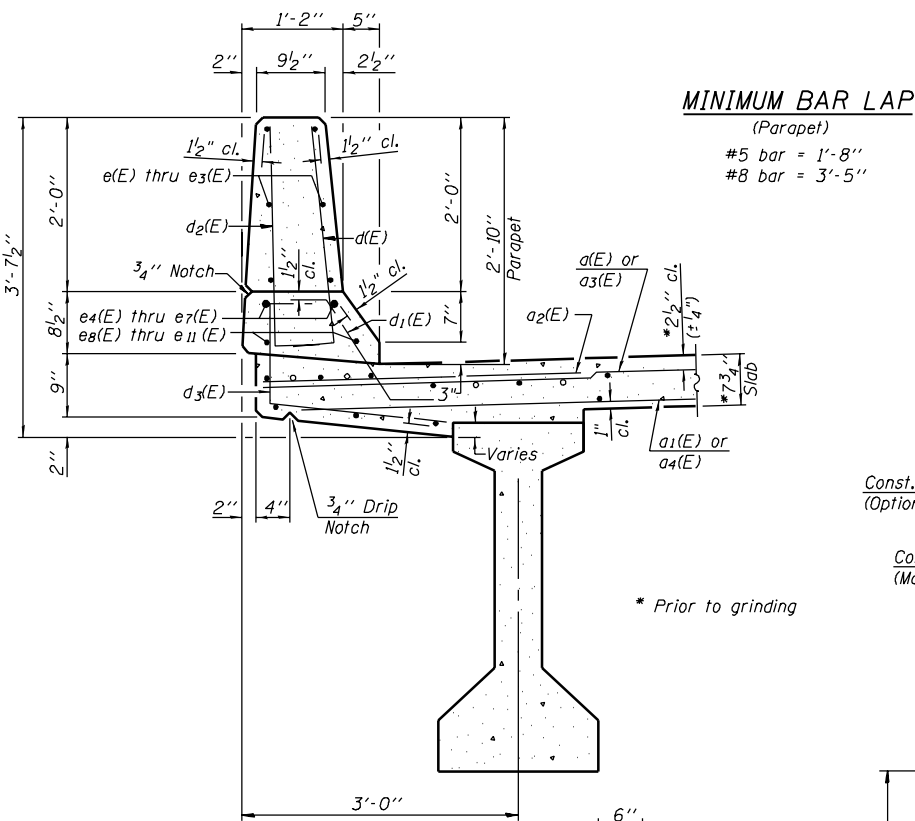


Contract #70258
‡ 22VBR-1 and 144SBR-2



INSIDE ELEVATION OF PARAPET
(West parapet shown, East parapet similar)



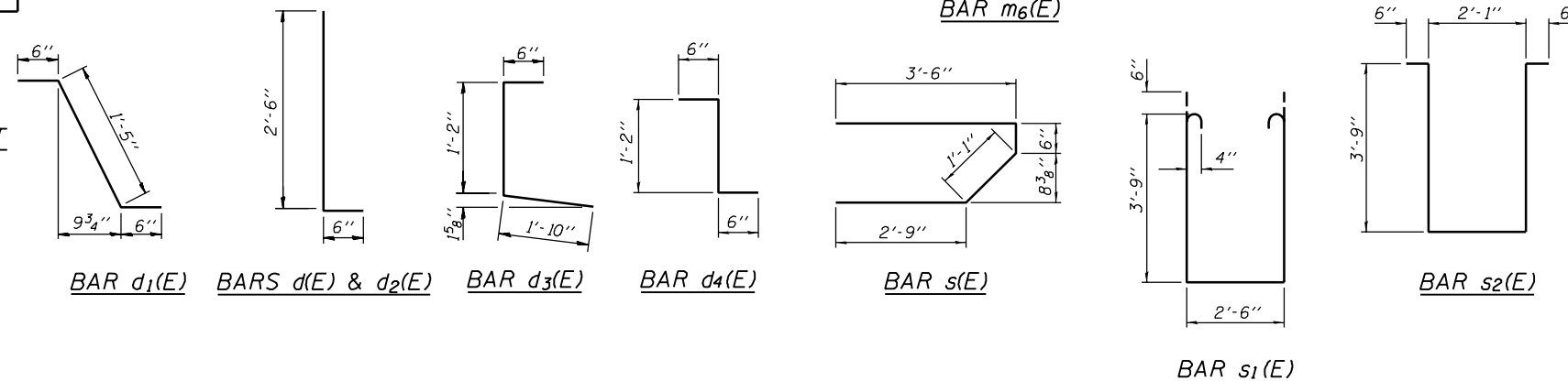
**SUPERSTRUCTURE
BILL OF MATERIAL**

Bar	No.	Size	Length	Shape
a(E)	285	#5	34'-7"	—
a1(E)	242	#5	32'-10"	—
a2(E)	286	#6	4'-6"	—
a3(E)	2	#5	39'-10"	—
a4(E)	2	#5	37'-10"	—
b(E)	304	#5	27'-2"	—
b1(E)	70	#6	26'-10"	—
b2(E)	279	#5	24'-4"	—
d(E)	442	#5	3'-0"	—
d1(E)	430	#5	2'-5"	—
d2(E)	442	#4	3'-0"	—
d3(E)	442	#4	3'-6"	—
d4(E)	12	#5	2'-2"	—
e(E)	72	#4	19'-3"	—
e1(E)	24	#4	7'-11"	—
e2(E)	24	#4	8'-2"	—
e3(E)	36	#4	16'-8"	—
e4(E)	16	#8	30'-11"	—
e5(E)	8	#8	7'-11"	—
e6(E)	8	#8	8'-2"	—
e7(E)	8	#8	27'-1"	—
e8(E)	16	#5	30'-1"	—
m(E)	4	#6	38'-2"	—
m1(E)	6	#6	40'-3"	—
m2(E)	24	#6	9'-6"	—
m3(E)	30	#6	4'-3"	—
m4(E)	4	#6	2'-0"	—
m5(E)	40	#4	5'-9"	—
m6(E)	12	#8	5'-10"	—
s(E)	72	#5	7'-10"	—
s1(E)	62	#4	11'-0"	—
s2(E)	50	#4	10'-7"	—
v(E)	68	#5	3'-4"	—
Reinforcement Bars, Epoxy Coated			Pound	51390
Concrete Superstructure			Cu. Yds.	262.9

Bar	No.	Size	Length	Shape
ea(E)	8	#5	7'-11"	—
ea1(E)	8	#5	8'-2"	—
ea2(E)	8	#5	26'-2"	—
ea3(E)	2	#5	39'-10"	—
ea4(E)	2	#5	37'-10"	—
eb(E)	304	#5	27'-2"	—
eb1(E)	70	#6	26'-10"	—
eb2(E)	279	#5	24'-4"	—
ed(E)	442	#5	3'-0"	—
ed1(E)	430	#5	2'-5"	—
ed2(E)	442	#4	3'-0"	—
ed3(E)	442	#4	3'-6"	—
ed4(E)	12	#5	2'-2"	—
ee(E)	72	#4	19'-3"	—
ee1(E)	24	#4	7'-11"	—
ee2(E)	24	#4	8'-2"	—
ee3(E)	36	#4	16'-8"	—
ee4(E)	16	#8	30'-11"	—
ee5(E)	8	#8	7'-11"	—
ee6(E)	8	#8	8'-2"	—
ee7(E)	8	#8	27'-1"	—
ee8(E)	16	#5	30'-1"	—
Reinforcement Bars, Epoxy Coated			Pound	51390
Concrete Superstructure			Cu. Yds.	262.9

Reinforcement bars designated (E) shall be epoxy coated.
Bars indicated thus 1 x 2-#5 etc. indicates 1 line of bars with 2 lengths per line.

SECTION THRU PARAPET



DESIGNED Curt M. Evoy
CHECKED Rebecca L. Tharp
DRAWN Michael B. Mossman
CHECKED C.M.E. / R.L.T.

August 4, 2006
EXAMINED Thomas J. Domagala
PASSED Ralph E. Anderson

SUPERSTRUCTURE DETAILS
F.A.S. RT. 1671 - SEC. 22VBR-1
DOUGLAS COUNTY
STATION 1151+65.86
STRUCTURE NO. 021-0061