

STATE OF ILLINOIS
DEPARTMENT OF TRANSPORTATION

ROUTE NO. F.A.S. 1671	SECTION #	COUNTY DOUGLAS	STATION 181	SHEET NO. 107
FED. ROAD DIST. NO. 7		ILLINOIS	FED. AID PROJECT	

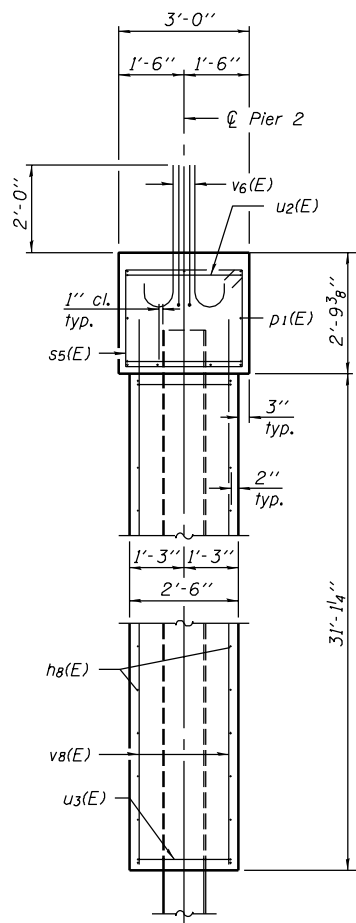
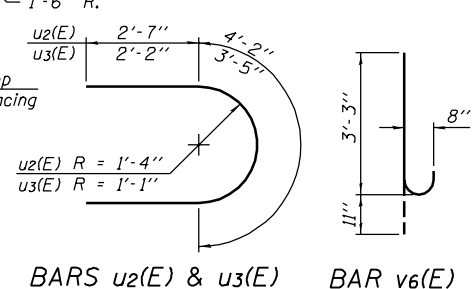
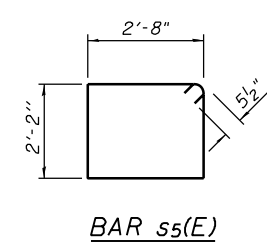
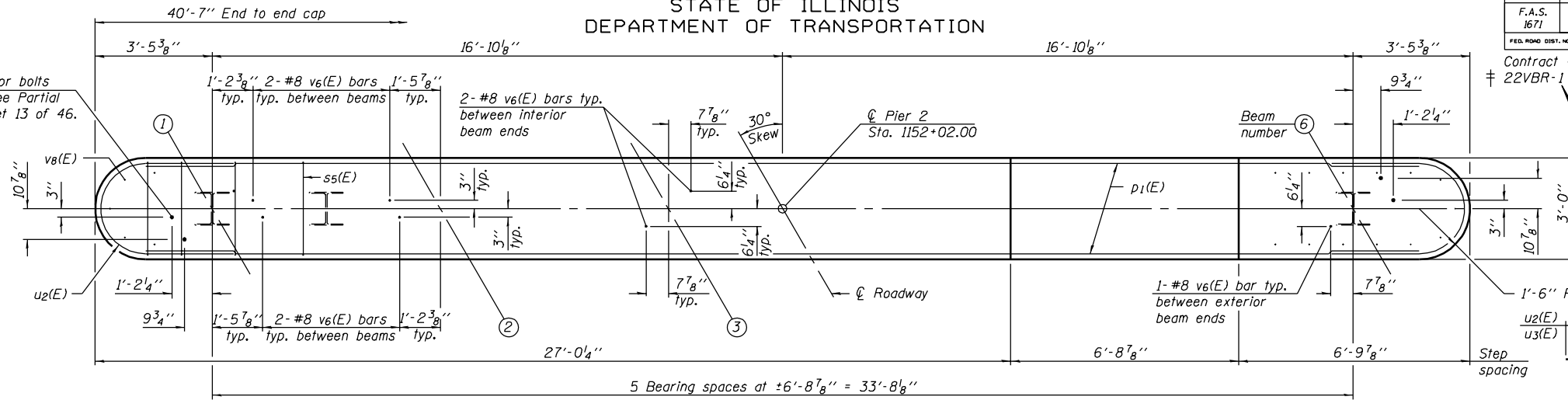
SHEET NO. 23
46 SHEETS

Notes:
Space Reinforcement in cap to miss anchor bolts.
Four steps monolithically with cap.

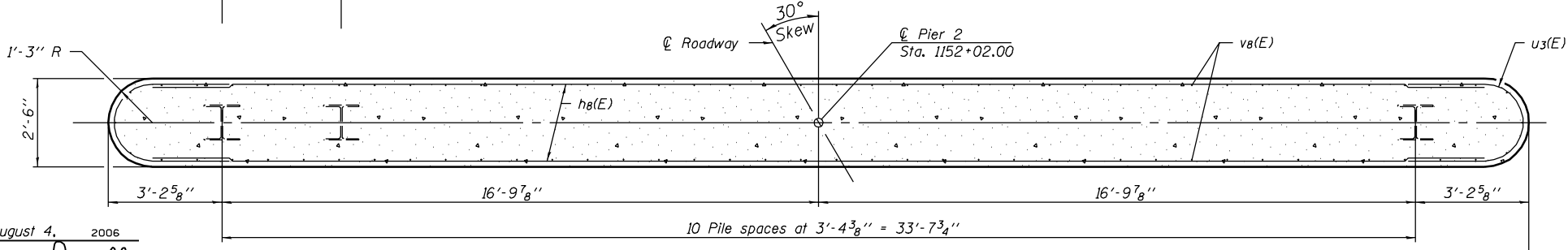
1/2" Ø x 1'-6" Anchor bolts
For side retainer, see Partial Plan at Pier on sheet 13 of 46.
(Typ. each end)

PILE DATA

Type: HP 12x53
Design Capacity: 66.6 Tons
Required Bearing: 99.8 Tons
Est. Length: 54'
No. Req'd: 10 + 1 test pile



ELEVATION



SECTION A-A

BILL OF MATERIAL

Bar	No.	Size	Length	Shape
h8(E)	64	#5	37'-7"	—
p1(E)	9	#7	37'-7"	—
ss(E)	34	#5	10'-7"	□
u2(E)	6	#6	9'-4"	⊂
u3(E)	64	#5	7'-9"	⊂
v6(E)	30	#8	4'-2"	⊂
v8(E)	82	#5	32'-6"	—
Concrete Structures		Cu. Yd.	130.6	
Reinforcement Bars, Epoxy Coated		Pound	7290	
Structure Excavation		Cu. Yd.	67	
Furnishing Steel Piles HP 12x53		Foot	540	
Driving Steel Piles		Foot	540	
Test Pile Steel HP 12x53		Each	1	

Reinforcement Bars designated (E) shall be epoxy coated.

DESIGNED	Curt M. Evoy
CHECKED	Rebecca L. Tharp
DRAWN	Michael B. Mossman
CHECKED	C.M.E. / R.L.T.

EXAMINED	Thomas J. Domagalak ENGINEER OF BRIDGE DESIGN
PASSED	Ralph E. Anderson ENGINEER OF BRIDGES AND STRUCTURES

PIER 2
F.A.S. RT. 1671 - SEC. 22VBR-1
DOUGLAS COUNTY
STATION 1151+65.86
STRUCTURE NO. 021-0061