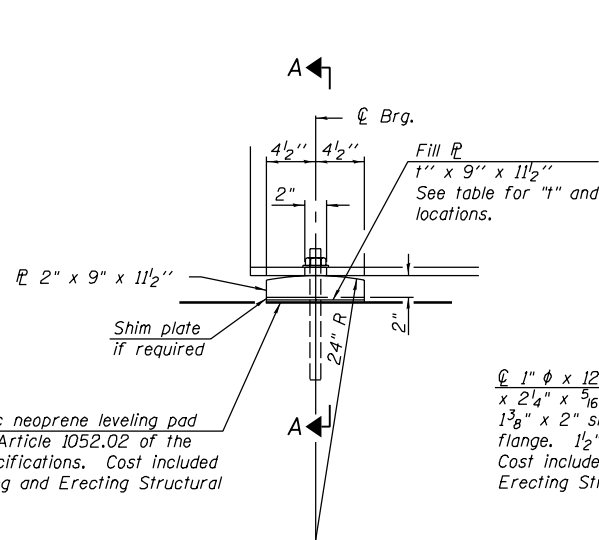


STATE OF ILLINOIS
DEPARTMENT OF TRANSPORTATION

ROUTE NO.	SECTION	COUNTY	TOTAL SHEETS	SHEET NO.
F.A.S. 1671	‡	DOUGLAS	181	121
FED. ROAD DIST. NO. 7	ILLINOIS	FED. AID PROJECT		

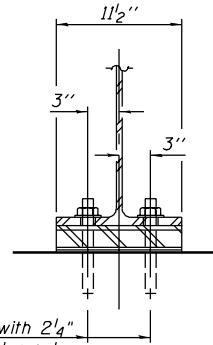
SHEET NO. 37
46 SHEETS

Contract #70258
‡ 22VBR-1 and 144SBR-2

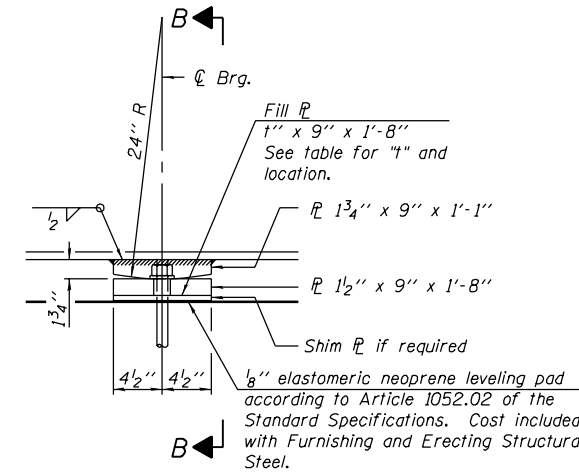


ELEVATION AT ABUTMENT

FIXED BEARING
(12 Required)

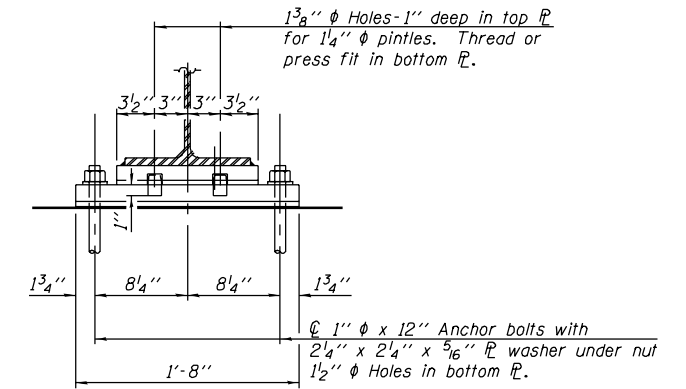


SECTION A-A



ELEVATION AT PIER

FIXED BEARING
(12 Required)

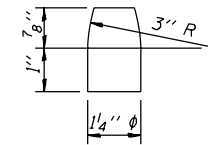


SECTION B-B

Notes:
Contractor has the option of cast in place or drilled installation of anchor bolts.
See sheet 38 of 46 for Anchor Bolt installation.

FILL PLATE LOCATION AND THICKNESS

Location	Beam	Size (t)
Pier 2	3	1/4"
North Abutment	3	3/4"
North Abutment	4	1/2"



PINTLE

DESIGNED	Curt M. Evoy
CHECKED	Rebecca L. Tharp
DRAWN	Michael B. Mossman
CHECKED	C.M.E. / R.L.T.

EXAMINED	August 4, 2006
PASSED	Thomas J. Domagala ENGINEER OF BRIDGE DESIGN
	Ralph E. Anderson ENGINEER OF BRIDGES AND STRUCTURES

BEARING DETAILS
F.A.S. RT. 1671 - SEC. 22VBR-1
DOUGLAS COUNTY
STATION 1154+99.02
STRUCTURE NO. 021-0060