

F.A.S. RTE.	SECTION	COUNTY	TOTAL SHEETS	SHEET NO.
1671		DOUGLAS	181	132
STA.		TO STA.		
FED. ROAD DIST. NO.	ILLINOIS	FED. AID PROJECT		

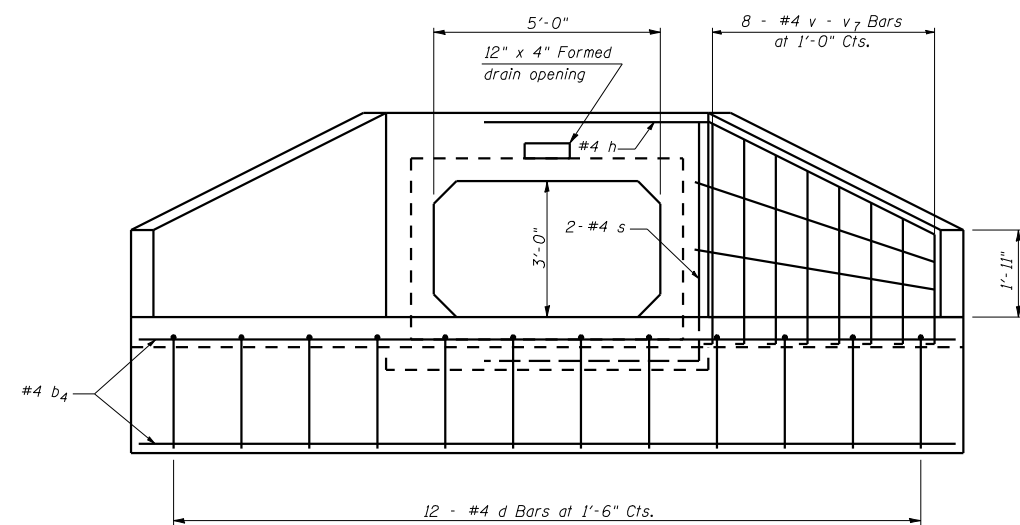
• 144SBR-2 & 22VBR-1

## DETAIL OF BOX CULVERT END SECTION LT. & RT. STATION 1155 + 80.00

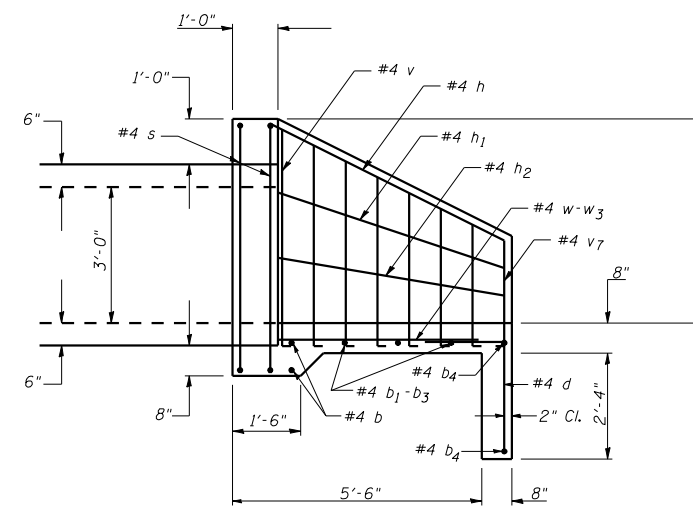
### BILL OF MATERIAL (ONE HEADWALL)

Bar	No.	Size	Length	Shape
b	2	#4	8'-10"	—
b <sub>1</sub>	1	#4	11'-3"	—
b <sub>2</sub>	1	#4	13'-7"	—
b <sub>3</sub>	1	#4	16'-0"	—
b <sub>4</sub>	2	#4	18'-0"	—
d	12	#4	5'-4"	┌
h	1	#4	23'-0"	└
h <sub>1</sub>	2	#4	7'-8"	—
h <sub>2</sub>	2	#4	7'-6"	—
s	2	#4	23'-8"	□
v	2	#4	6'-8"	┌
v <sub>1</sub>	2	#4	6'-3"	┌
v <sub>2</sub>	2	#4	5'-10"	┌
v <sub>3</sub>	2	#4	5'-6"	┌
v <sub>4</sub>	2	#4	5'-2"	┌
v <sub>5</sub>	2	#4	4'-10"	┌
v <sub>6</sub>	2	#4	4'-6"	┌
v <sub>7</sub>	2	#4	4'-2"	┌
w	6	#4	3'-10"	—
w <sub>1</sub>	2	#4	3'-8"	—
w <sub>2</sub>	2	#4	2'-10"	—
w <sub>3</sub>	2	#4	2'-0"	—
Reinforcement bars		Lb.	250.0	
Class SI Concrete		Cu. Yd.	4.8	

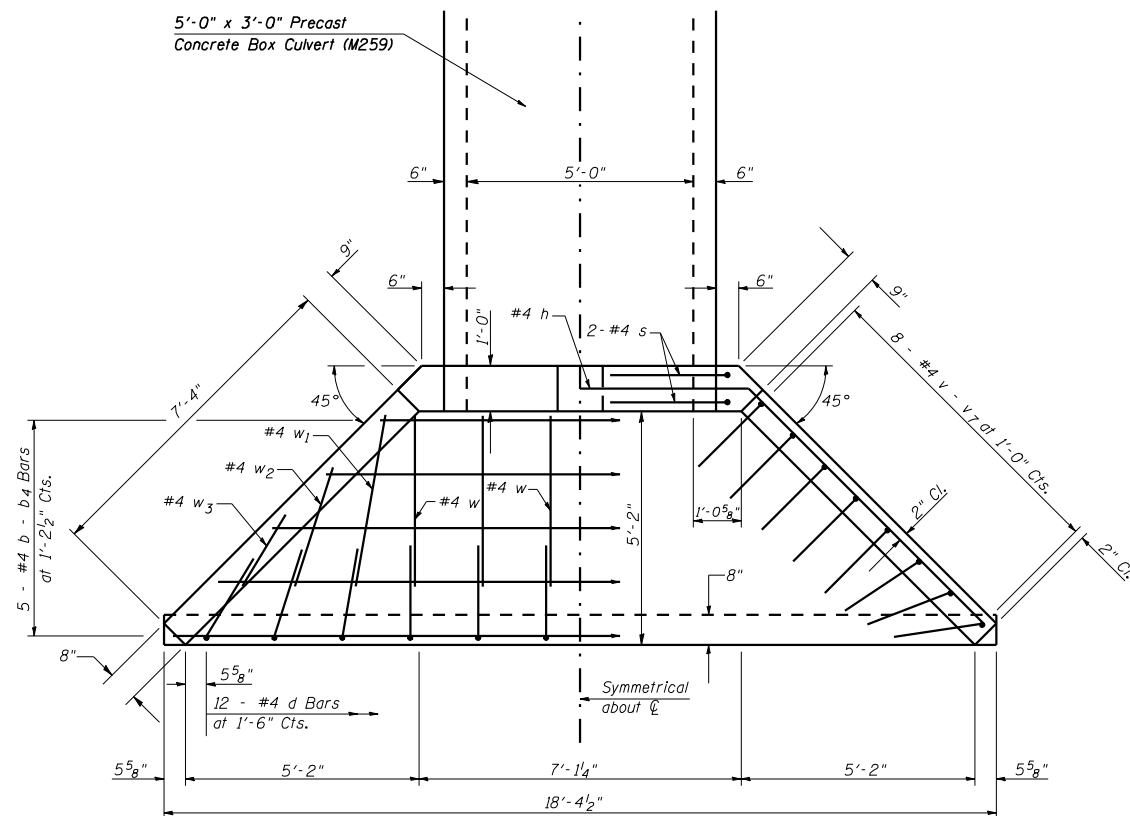
Item	Unit	Qty.
Box Culvert End Section	Each	2



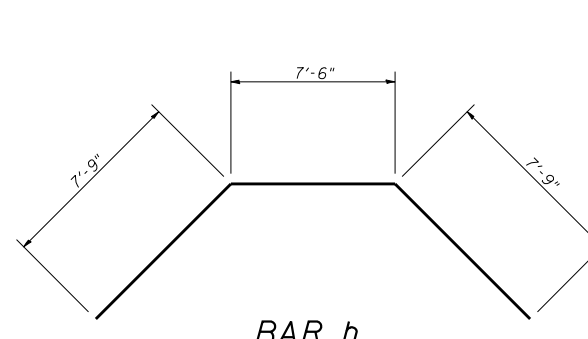
**END ELEVATION**



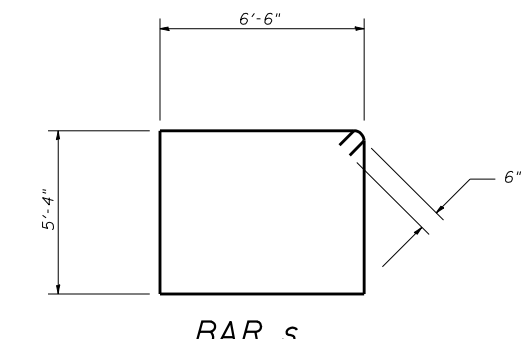
**HALF SIDE ELEVATION**



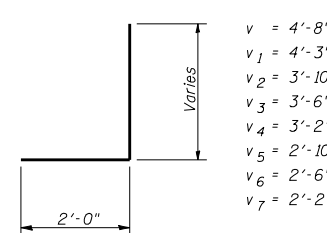
**PLAN**



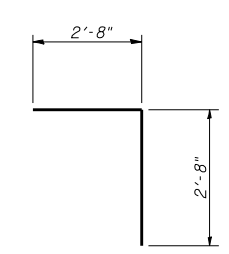
**BAR h**



**BAR s**



**v BARS**



**BAR d**

**NOTES**

- All bars should be rounded and shall conform to the requirements of Art. 1006.10 of Standard Specs.
- Class SI Concrete shall be used throughout.
- The Precast Concrete Box Culvert Sections shall conform to the requirements of AASHTO M259.
- All dimensions are in FEET (')-INCHES (") unless otherwise noted.
- Concrete and Rebar quantities and lengths calculated for the cast-in-place End Sections will vary based on the precast box culverts supplied.
- End Sections will be paid for at the contract unit price each for BOX CULVERT END SECTION, as outlined in Art. 540.08, which prices shall include all concrete, rebar, and all other items necessary to complete the proposed work.
- Drain holes shall be provided in accordance with Art. 503.12.
- Drawings not to scale.

BOX CULVERT END SECTIONS (CAST IN PLACE)  
2 @ 5.0' X 3.0'  
STA. 1155+80.000 NO SKEW  
REINFORCED CONCRETE HEADWALL DETAILS

ILLINOIS DEPARTMENT OF TRANSPORTATION  
**BOX CULVERT END SECTION DETAIL**  
**LT. & RT. STATION 1155+80.00**  
F.A.S. ROUTE 1671 (U.S. ROUTE 45)  
SECTION 144SBR-2 & 22VBR-1  
DOUGLAS COUNTY

SCALE: NOT TO SCALE      DRAWN BY: B.B.P.  
DATE: 07/06/06      CHECKED BY: G.A.E.

PLOT DATE = 7/11/2006  
 FILE NAME = c:\projects\0505202 (v8)\70258endsection.dgn  
 PLOT NAME = 02.3523 / IN.  
 USER NAME = pier.sombir