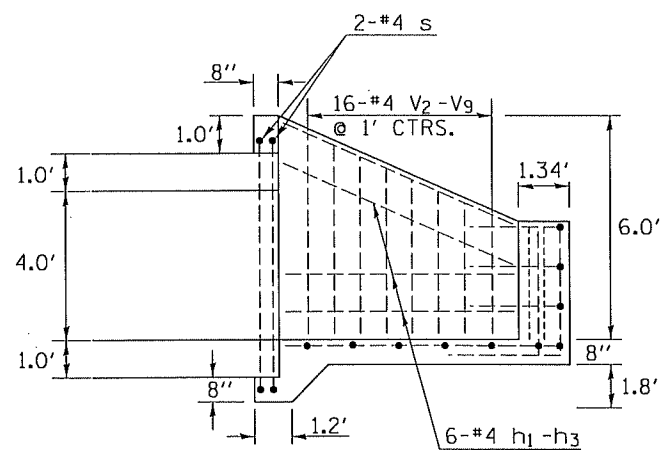


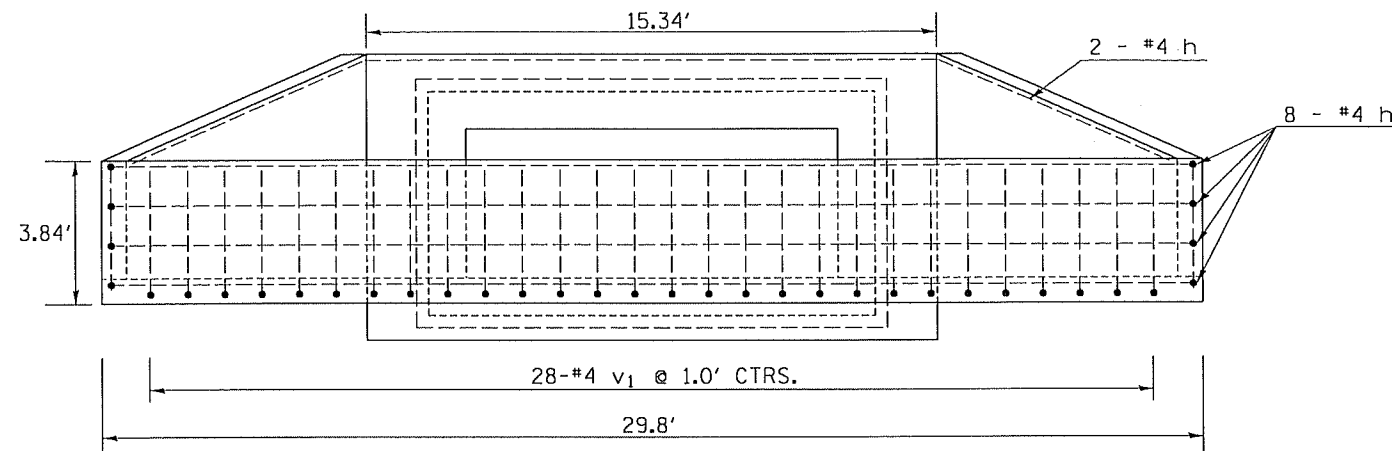
DETAIL OF BOX CULVERT END SECTION STA. 824+77-34' RT. (UPSTREAM SIDE)

F.A.P. RTE.	SECTION	COUNTY	TOTAL SHEETS	SHEET NO.
332	48B	VERMILION	27	15

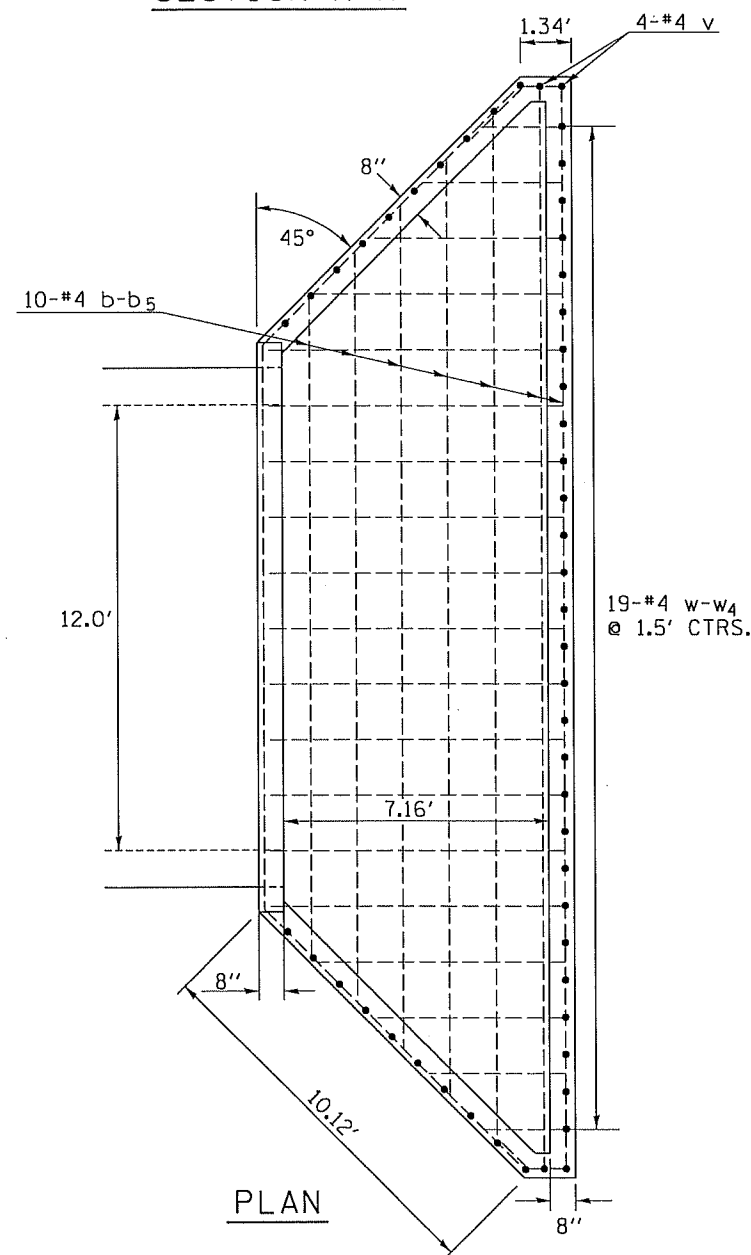
CONTRACT NO. 70462



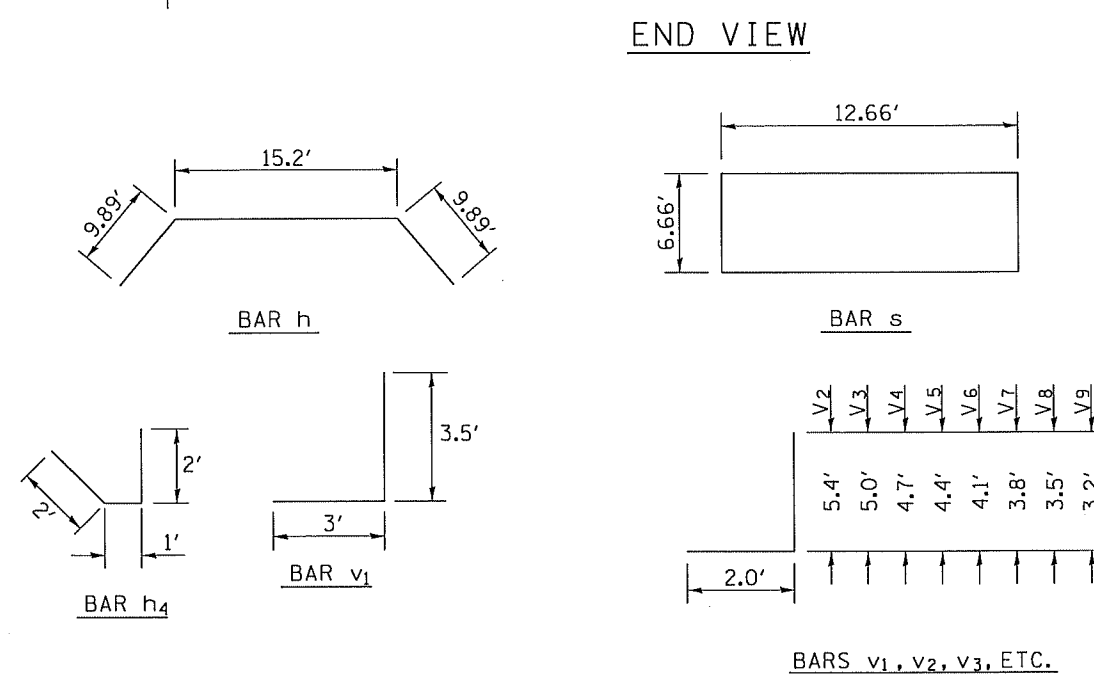
SECTION A-A



END VIEW



PLAN



BILL OF MATERIALS (ONE HEADWALL)

BAR	No.	SIZE	LENGTH (ft)	SHAPE
b	1	#4	17.7	—
b1	1	#4	20.2	—
b2	1	#4	22.7	—
b3	1	#4	25.2	—
b4	1	#4	27.7	—
b5	5	#4	29.3	—
h	2	#4	35.0	—
h1	2	#4	9.6	—
h2	2	#4	9.3	—
h3	2	#4	9.3	—
h4	8	#4	5.0	—
s	2	#4	38.6	—
v	4	#4	3.5	—
v1	28	#4	6.5	—
v2	2	#4	7.4	—
v3	2	#4	7.0	—
v4	2	#4	6.7	—
v5	2	#4	6.4	—
v6	2	#4	6.1	—
v7	2	#4	5.8	—
v8	2	#4	5.5	—
v9	2	#4	5.2	—
w	11	#4	8.1	—
w1	2	#4	6.7	—
w2	2	#4	5.2	—
w3	2	#4	3.7	—
w4	2	#4	2.2	—

Reinforcement Bars	LB.	620.0
Class SI Conc. Hdwall.	CU. YD.	10.6

ITEM	UNIT	QUANT.
Box Culvert End Sections	EACH	1

NOTES

- All bars should be rounded and shall conform to the requirements of Art. 1006.10 of Standard Specs.
- Class SI Concrete shall be used throughout.
- The Precast Concrete Box Culvert Sections shall conform to the requirements of AASHTO M273.
- All dimensions are in FEET (ft) unless otherwise noted.
- Concrete and Rebar quantities and lengths calculated for the cast-in-place End Sections will vary based on the precast box culverts supplied.
- End Sections will be paid for at the contract unit price each for BOX CULVERT END SECTIONS, as outlined in Art. 540.08, which prices shall include all concrete, rebar, and all other items necessary to complete the proposed work.

BOX CULVERT END SECTIONS (CAST IN PLACE)
12' x 4' (NO SKEW)
STA. 824+77-34' RT. (UPSTREAM SIDE)
PROPOSED STRUCTURE NO. 092-8620