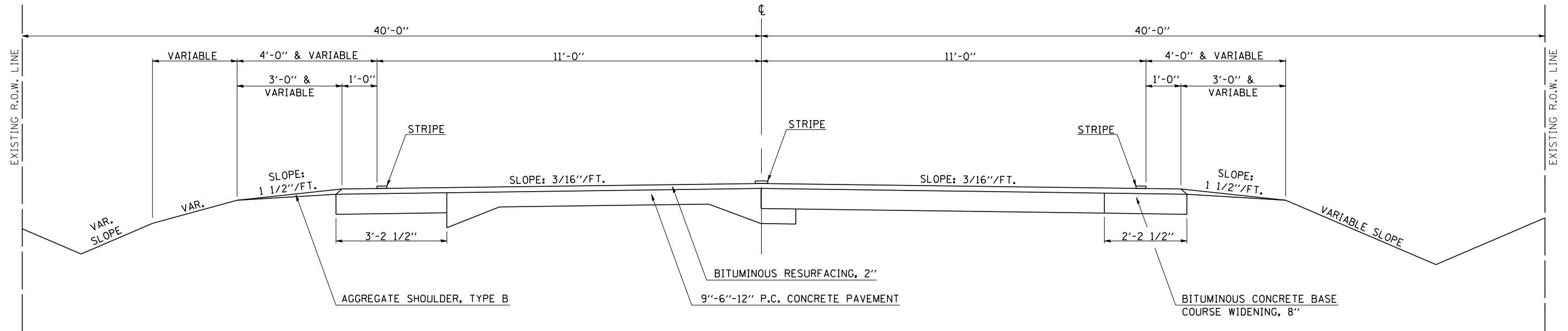


F.A.S. RTE.	SECTION	COUNTY	TOTAL SHEETS	SHEET NO.
500	*	VERMILION	18	7

EXISTING TYPICAL CROSS SECTION

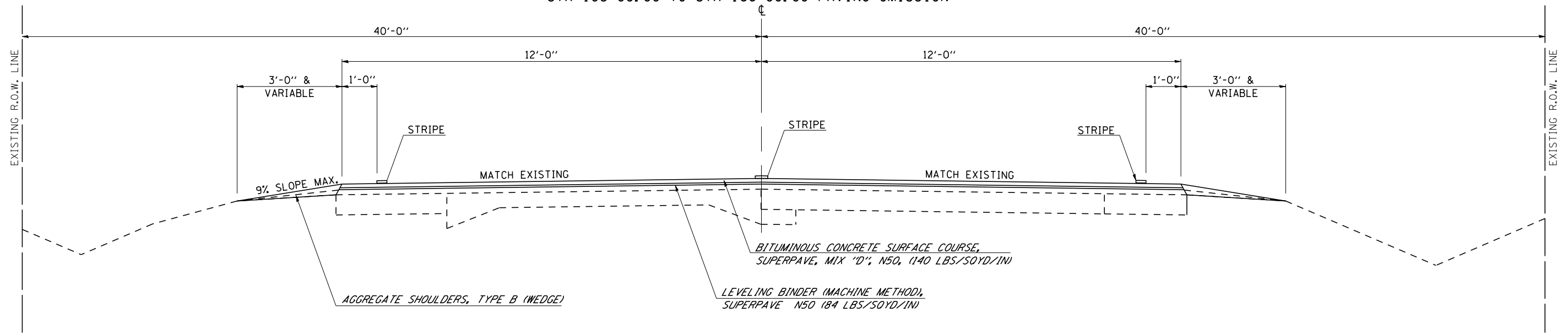
STA 139+00.00 TO STA 173+75.00
 STA 103+00.00 TO STA 166+00.00 PAVING OMISSION

(33,116 SPURRS-1
 CONTRACT NO. 70556



PROPOSED TYPICAL CROSS SECTION ③

② STA 139+00.00 TO STA 173+75.00
 STA 103+00.00 TO STA 166+00.00 PAVING OMISSION



NOTE: ALL SIDEROADS, ENTRANCES, AND MAIL BOX TURN-OUTS SHALL BE CONSTRUCTED MONOLITHIC WITH THE SURFACE COURSE