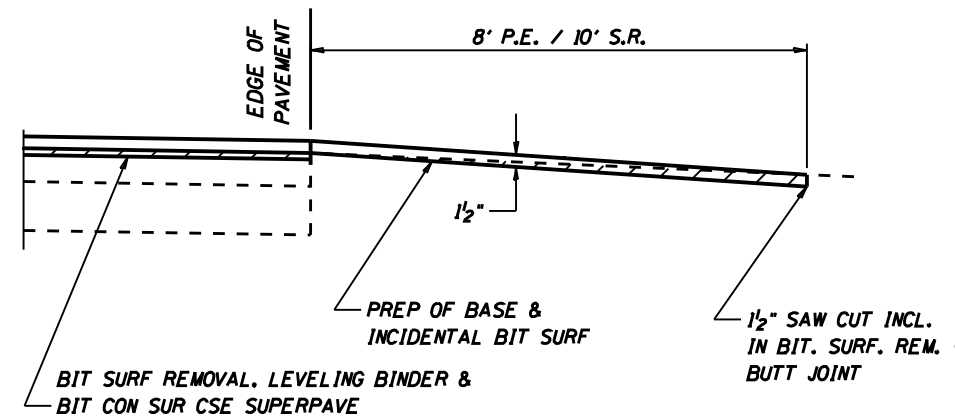
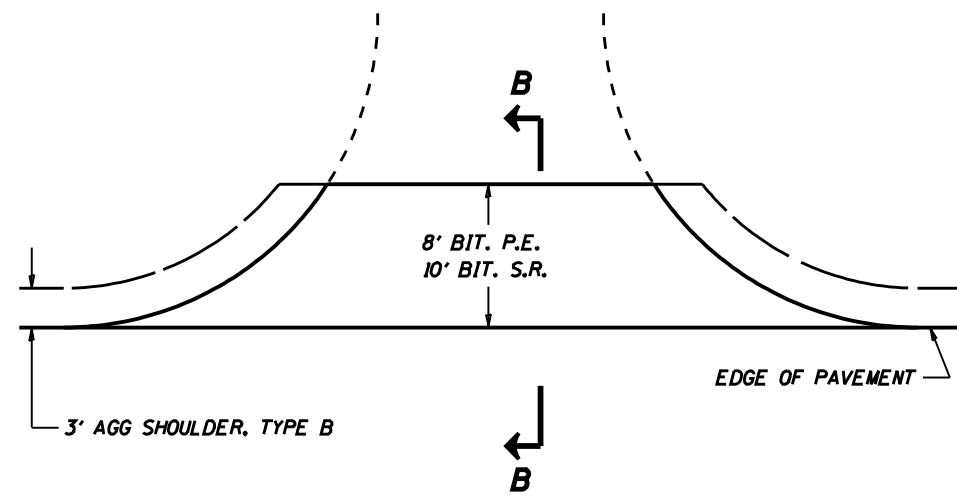
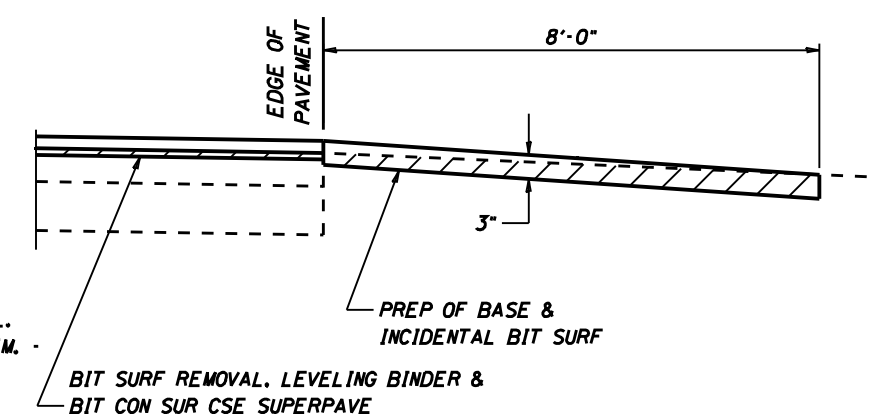
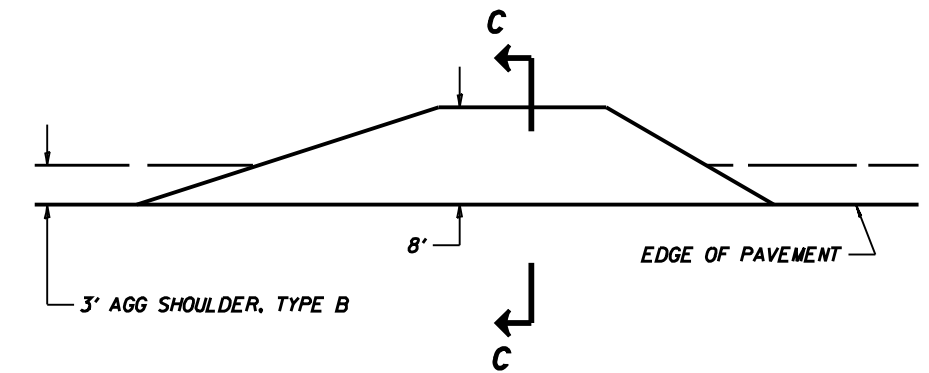


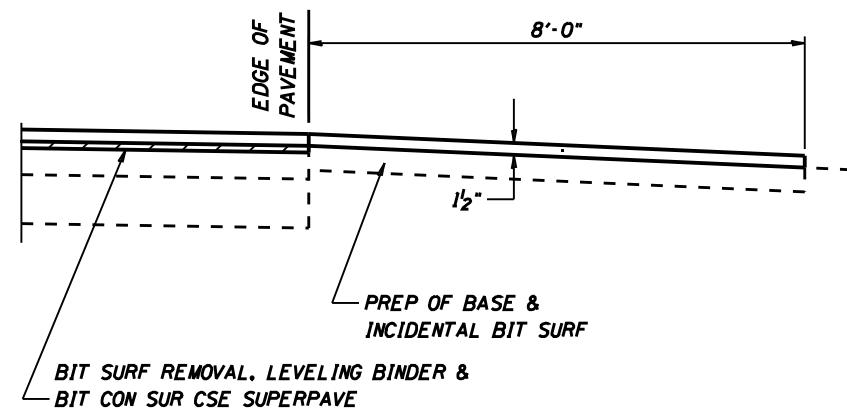
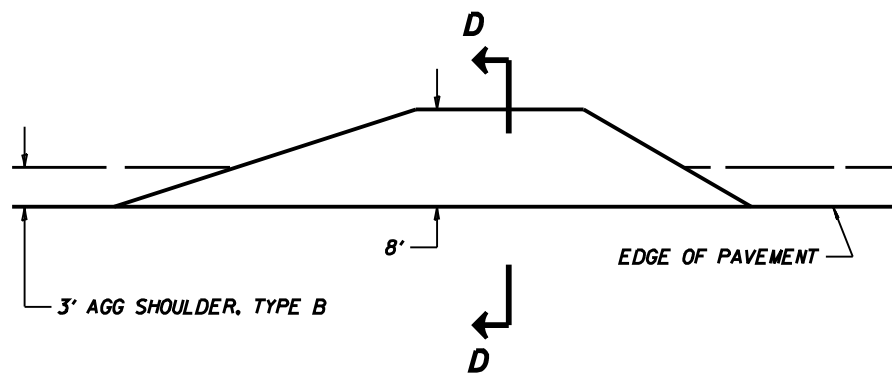
SECTION A-A FOR AGGREGATE P.E.



SECTION B-B FOR BIT. P.E. & SIDEROAD



SECTION C-C FOR AGG. MAILBOX TURNOUT



SECTION D-D FOR BIT. MAILBOX TURNOUT

ENTRANCE AND S.R. DETAILS  
FAP 317 (US 24)  
SECTION 5(RS-5.1)  
ADAMS/BROWN COUNTY