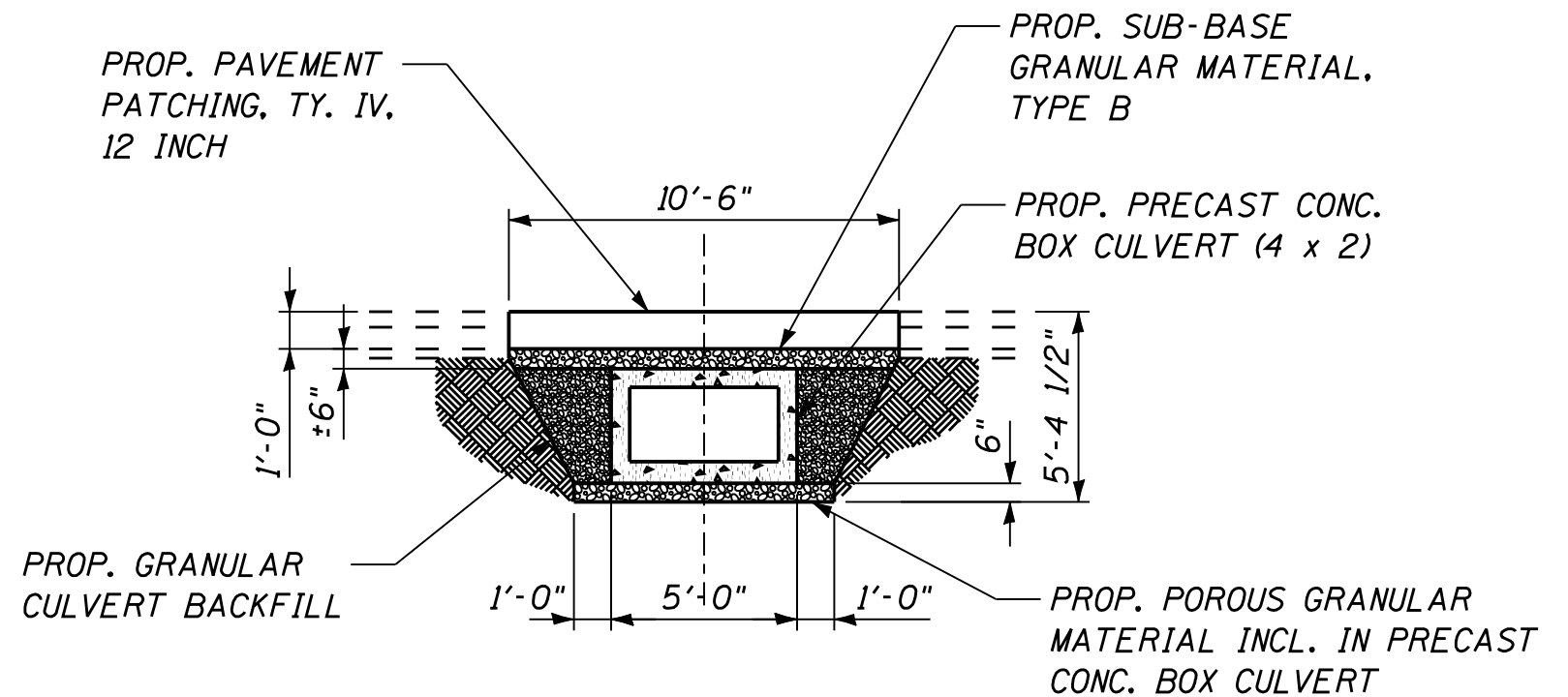


EXISTING CULVERT REMOVAL



PROP. PRECAST CONC. BOX CULVERT (4 x 2)

CULVERT DETAILS
FAP 317 (US 24)
SECTION 5(RS-5.1)
ADAMS/BROWN COUNTY