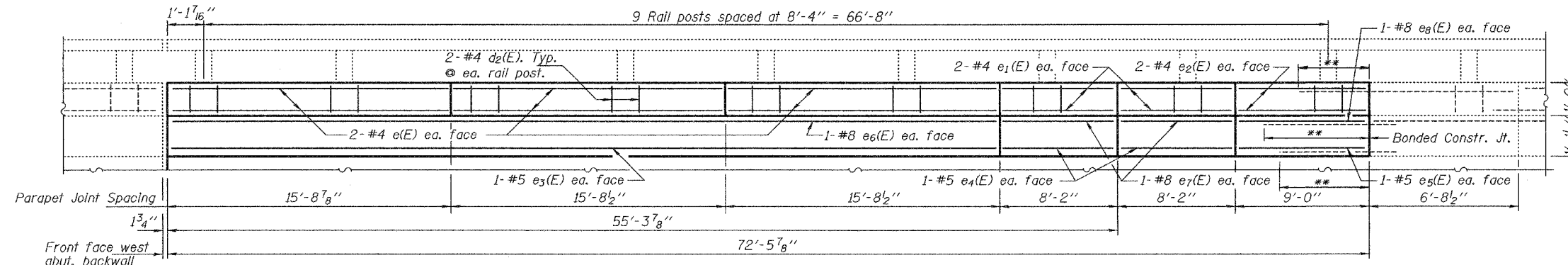


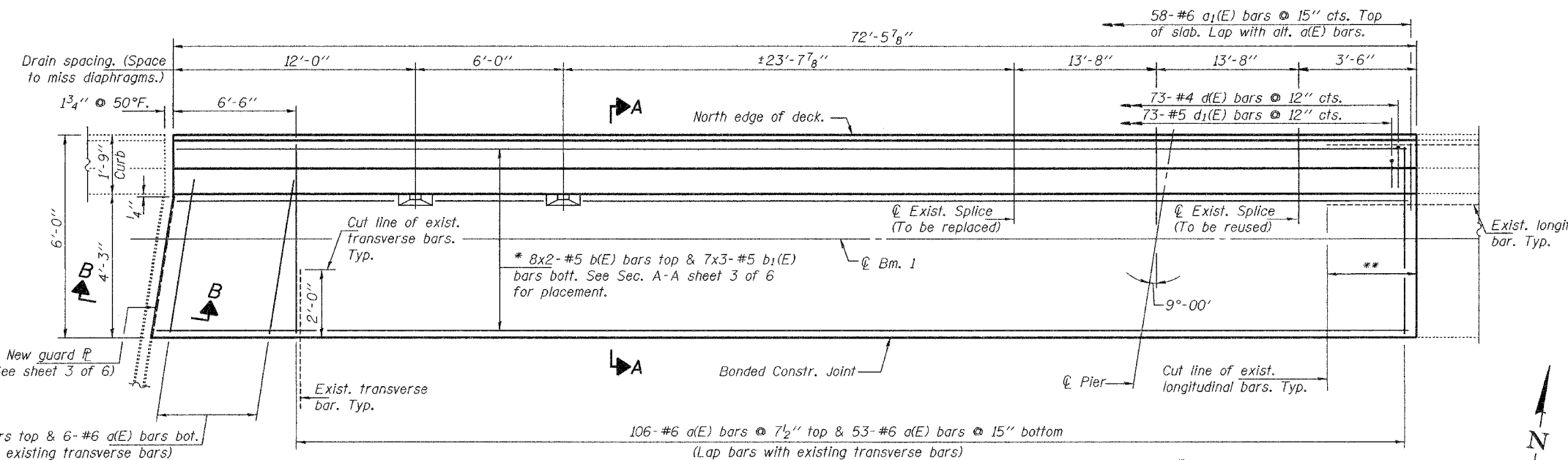
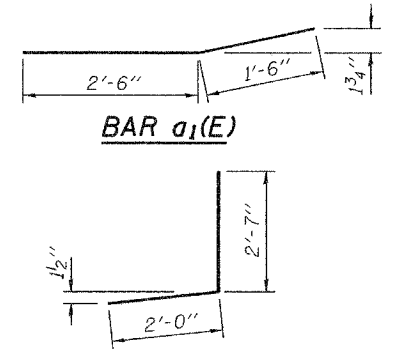
STATE OF ILLINOIS  
DEPARTMENT OF TRANSPORTATION

ROUTE NO.	SECTION	COUNTY	TOTAL SHEETS	SHEET NO.
FAI 64		WAYNE	11	4
FED. ROAD DIST. NO. 7	ILLINOIS	FED. AID PROJECT-		

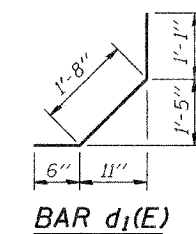
SHEET NO. 2  
6 SHEETS



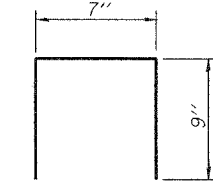
PARAPET ELEVATION



PARTIAL DECK SLAB PLAN - NORTH BRIDGE  
(For Reinforcement Bars)

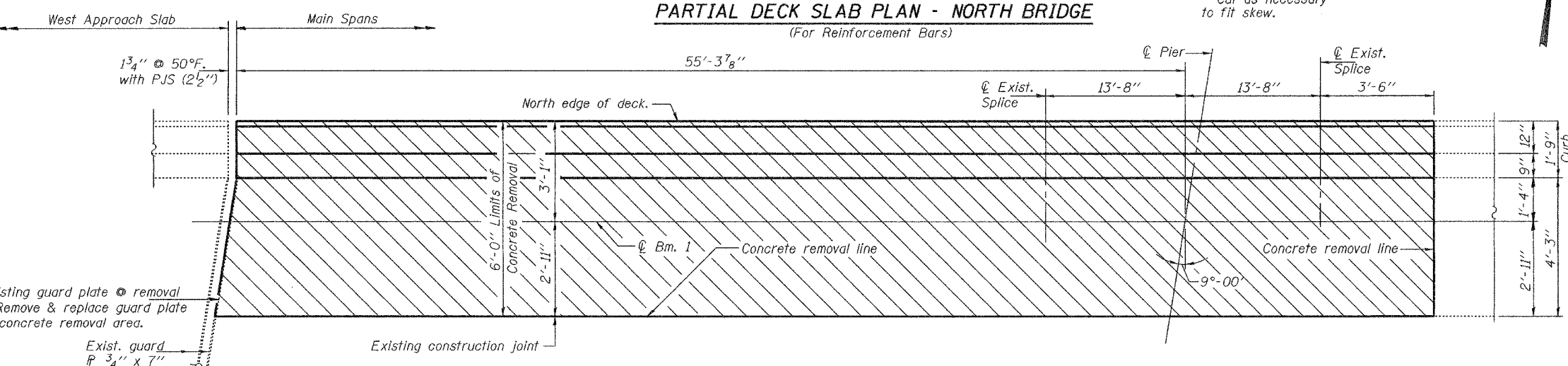


MIN. BAR LAPS  
#5 bar = 1'-8"  
#8 bar = 3'-5"



BILL OF MATERIAL

Bar	No.	Size	Length	Shape
a(E)	176	#6	4'-11"	—
a1(E)	58	#6	4'-0"	—
b(E)	16	#5	37'-3"	—
b1(E)	21	#5	25'-6"	—
d(E)	73	#4	4'-7"	J
d1(E)	73	#5	3'-3"	J
d2(E)	18	#4	2'-1"	□
e(E)	12	#4	15'-5"	—
e1(E)	8	#4	7'-10"	—
e2(E)	4	#4	8'-8"	—
e3(E)	2	#5	46'-9"	—
e4(E)	4	#5	7'-10"	—
e5(E)	2	#5	8'-8"	—
e6(E)	2	#8	46'-9"	—
e7(E)	4	#8	7'-10"	—
e8(E)	2	#8	8'-8"	—
Concrete Removal		Cu. Yds.	19.2	
Reinforcement Bars, Epoxy Coated		Pound	4040	
Concrete Superstructure		Cu. Yds.	19.2	



PARTIAL DECK SLAB PLAN - NORTH BRIDGE  
(For Partial Removal and Replacement)

DESIGNED	MJT
CHECKED	ATH
DRAWN	baliva
CHECKED	MJT ATH

JUNE 6, 2006  
EXAMINED *John A. Morris*  
ENGINEER OF STRUCTURAL SERVICES  
PASSED *Ralph E. Anderson*  
ENGINEER OF BRIDGES AND STRUCTURES

Hatched areas indicate concrete sections to be removed and replaced. Perimeters of concrete removal areas shall be saw cut 3/4" prior to the removal of concrete.

Notes:  
For Sections A-A & B-B and details for the drain and guard angles see sheet 3 of 6.  
Reinforcement bars designated (E) shall be epoxy coated.  
Bars indicated thus 1 x 2-#5 etc. indicates 1 line of bars with 2 lengths per line.

BRIDGE REPAIRS  
FAI 64 (WB) OVER US 45  
WAYNE COUNTY  
SN 096-0053 (WB)