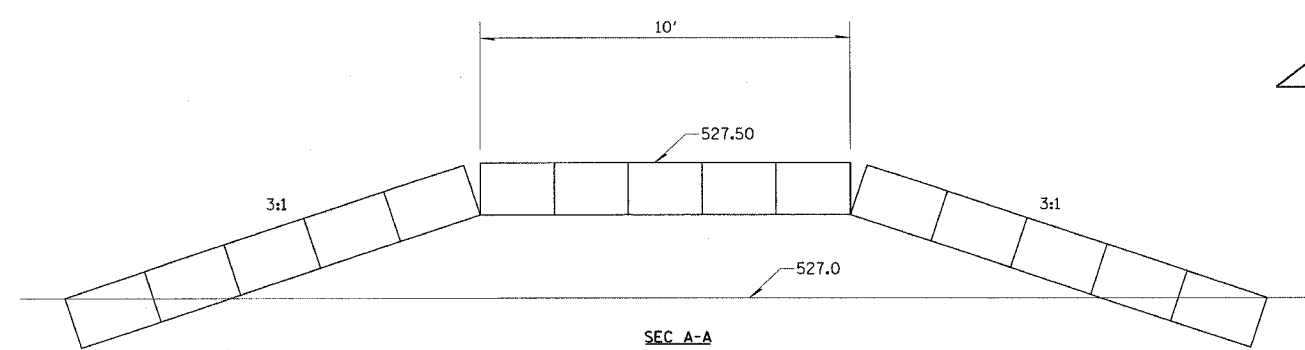
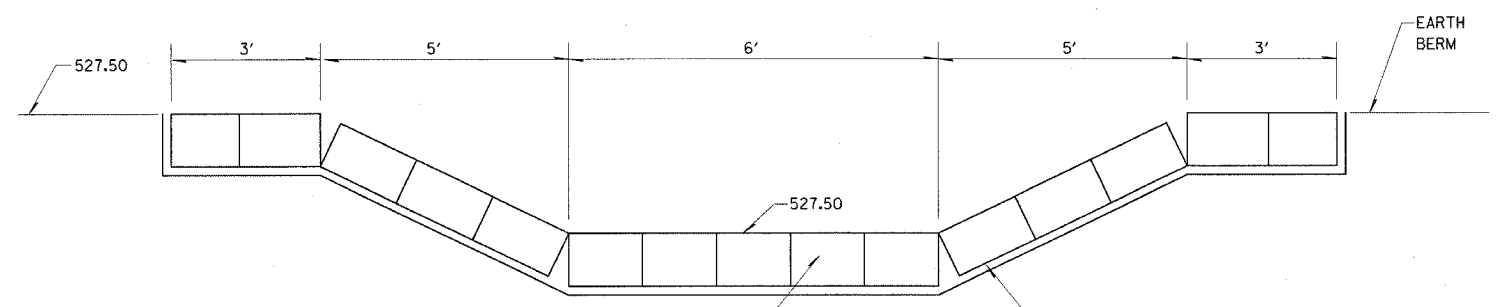
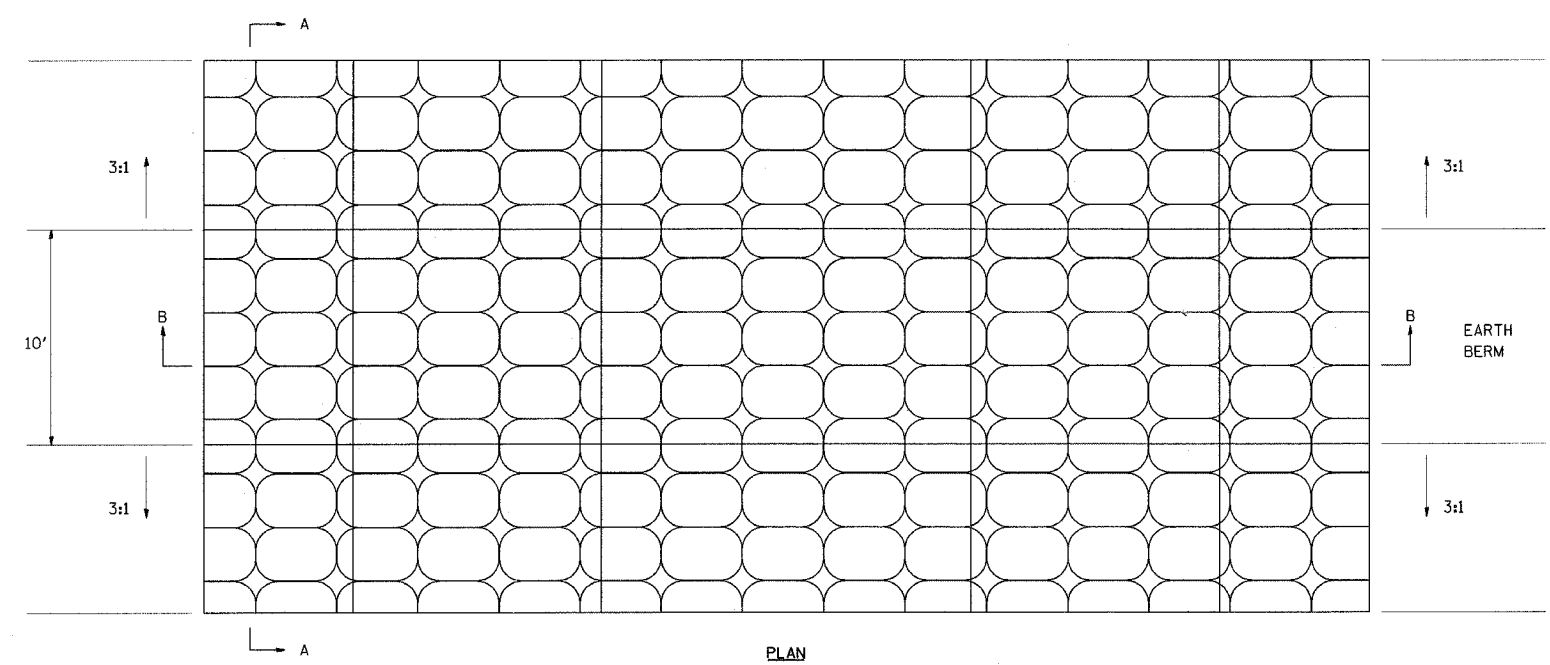


F.A.P. RTE.	SECTION	COUNTY	TOTAL SHEETS	SHEET NO.
774		EFFINGHAM	15	3
STA.	TO STA.			
FED. ROAD DIST. NO.	ILLINOIS FED. AID PROJECT			
• D-7 WETLAND MITIGATION - 1				

PRECAST BLOCK REVETMENT MAT

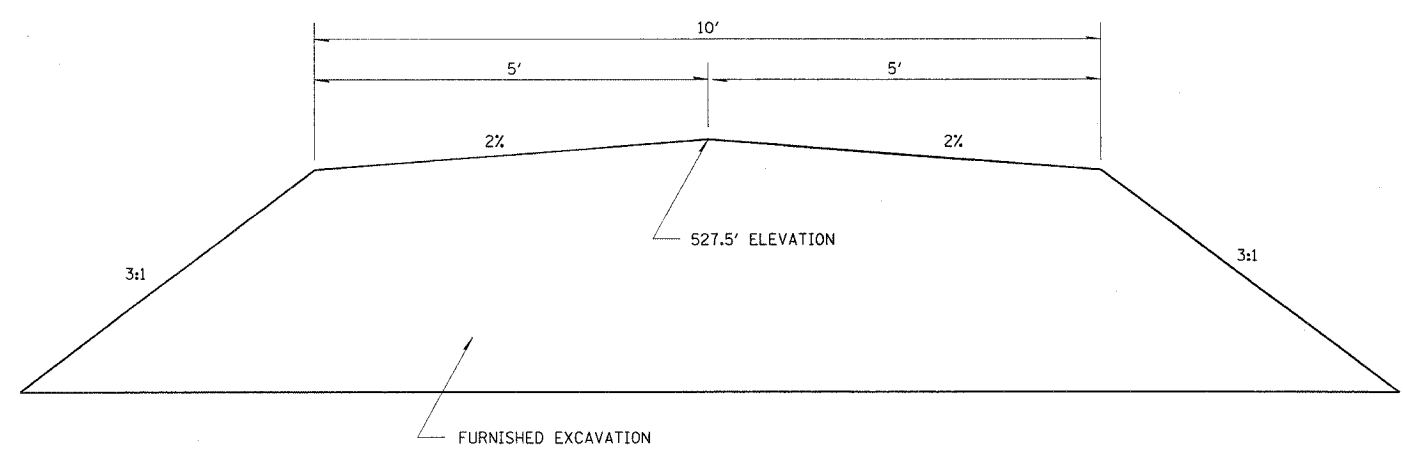


NOTE: DIMENSIONS MAY VARY DEPENDING UPON MANUFACTURERS BLOCK SIZE.

EARTHWORK SCHEDULE

LOCATION	EARTH EXCAVATION	FILL	EARTH EXCAVATION ADJUSTED FOR SHRINKAGE	EARTHWORK BALANCE, WASTE (+) SHORTAGE (-)
0+55 TO 0+75	0	50	0	-50
0+75 TO 1+00	0	39	0	-39
1+00 TO 1+25	0	33	0	-33
1+25 TO 1+50	0	13	0	-13
1+50 TO 1+75	0	23	0	-23
1+75 TO 2+00	0	23	0	-23
2+00 TO 2+25	0	14	0	-14
2+25 TO 2+50	0	17	0	-17
2+50 TO 2+75	23	13	18	4
2+75 TO 3+00	39	21	29	8
3+00 TO 3+25	54	39	41	1
3+25 TO 3+50	87	35	65	30
3+50 TO 3+75	90	16	67	51
3+75 TO 4+00	60	4	45	41
4+00 TO 4+25	24	3	18	15
4+25 TO 4+50	10	0	8	8
4+50 TO 4+75	21	0	15	15
4+75 TO 5+00	33	0	25	25
5+00 TO 5+25	41	0	31	31
5+25 TO 5+50	23	0	18	18
TOTAL	505	345	379	35

EARTH BERM TYPICAL SECTION



REVISIONS	
NAME	DATE

ILLINOIS DEPARTMENT OF TRANSPORTATION
EARTH BERM SECTION
 &
PRECAST BLOCK REVETMENT MAT
 SCALE: VERT. _____
 HORIZ. _____
 DATE _____
 DRAWN BY _____
 CHECKED BY _____

PLOT DATE = 4/12/2006
 FILE NAME = #FILE#
 PLOT SCALE = #SCALE#
 USER NAME = #USER#