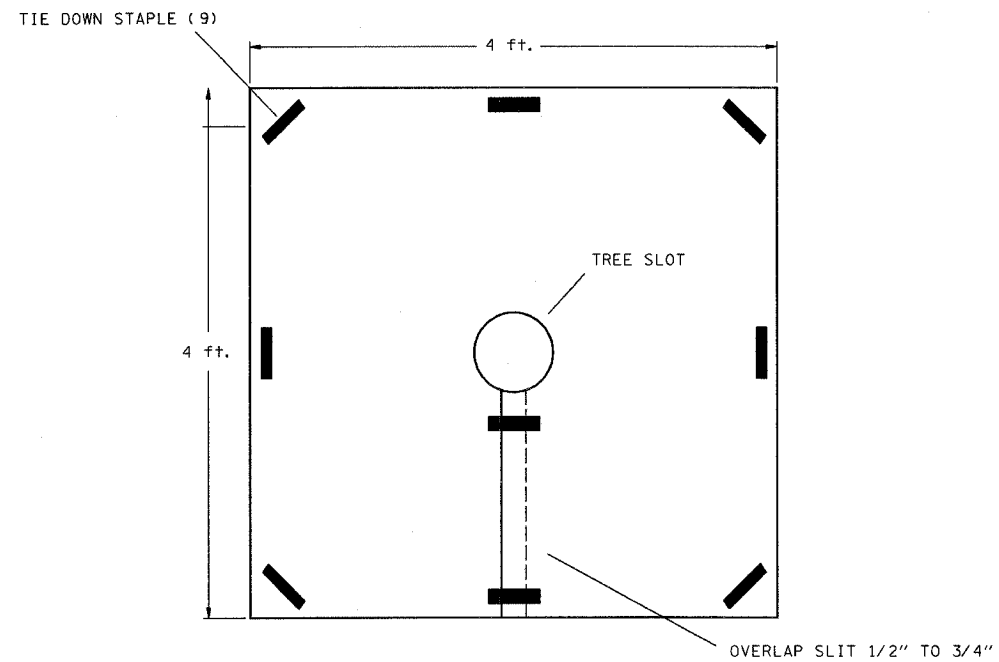


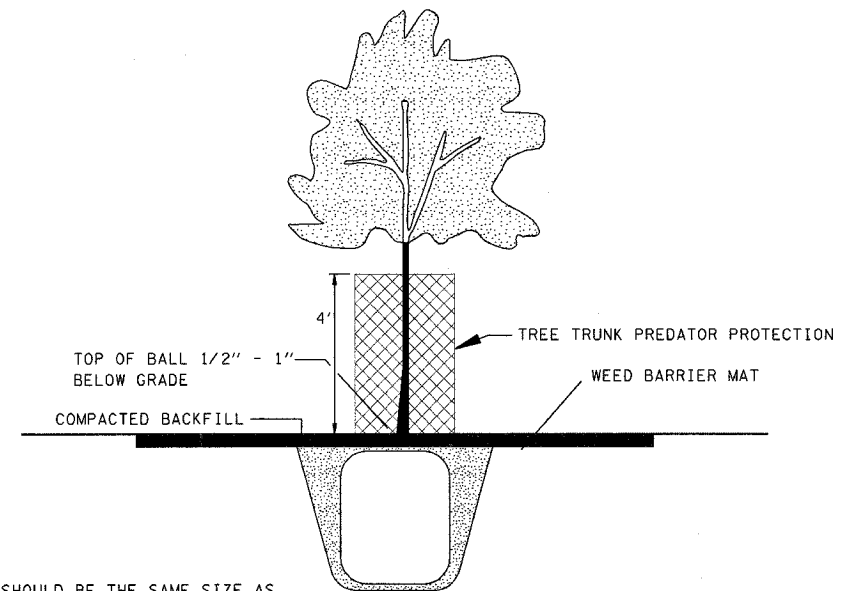
F.A.P. RTE.	SECTION	COUNTY	TOTAL SHEETS	SHEET NO.
774	•	EFFINGHAM	15	4
STA.		TO STA.		
FED. ROAD DIST. NO.	ILLINOIS	FED. AID PROJECT		

• D-7 WETLAND MITIGATION - 1

TYPICAL WEED BARRIER MAT PLAN



TYPICAL CONTAINER TREE PLANTING PLAN



NOTE:
PIT SIZE SHOULD BE THE SAME SIZE AS THE ROOT BALL OR SLIGHTLY LARGER; THIS WILL REDUCE TIPOVER DURING FLOODING.

PLOT DATE = 4/12/2006
FILE NAME = #FILE#
PLOT SCALE = #SCALE#
USER NAME = #USER#

REVISIONS	
NAME	DATE

ILLINOIS DEPARTMENT OF TRANSPORTATION

TREE PLANTING DETAIL

SCALE: VERT.
HORIZ.
DATE

DRAWN BY
CHECKED BY