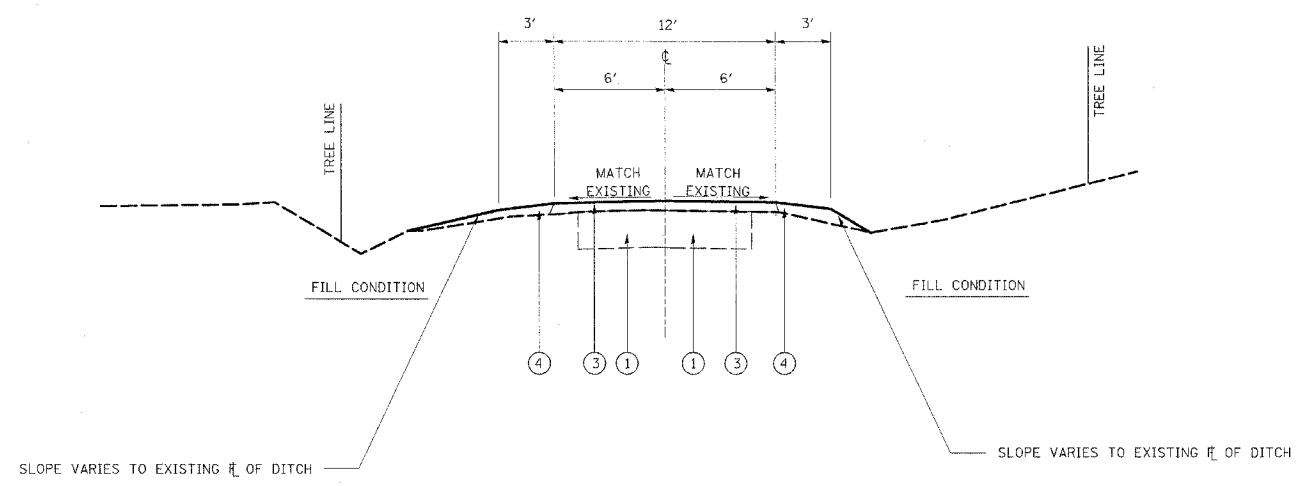


| F.A. RTE. | SECTION | COUNTY | TOTAL SHEETS | SHEET NO. |
|-----------|---------|--------|--------------|-----------|
| * | ** | *** | 310 | 9 |

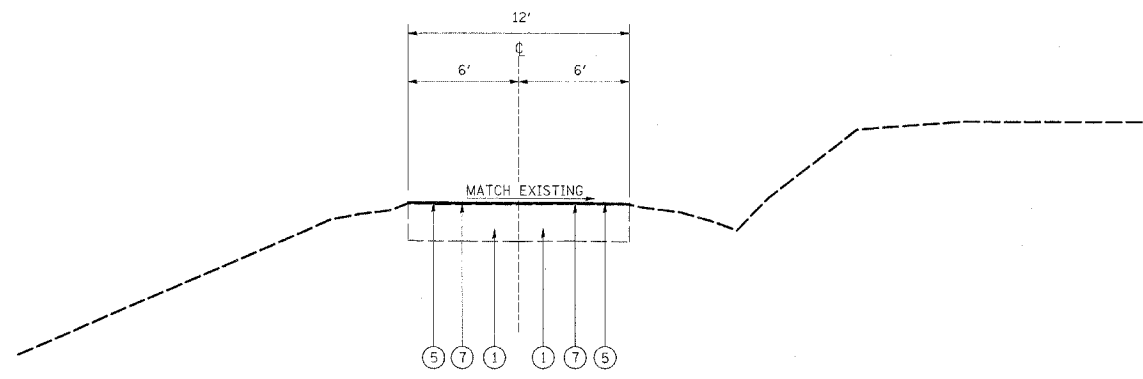
CONTRACT NO. 74155

- * PARK ROADS
- ** SFWA PARK ROADS 2003-1
- *** MOULTRIE AND SHELBY



TR 107A TO PARKING LOT 22 & 23
PROPOSED TYPICAL SECTION
 STATION 1+58.05 TO STATION 24+86.14

- LEGEND**
- ① EXISTING AGGREGATE SURFACE
 - ② EXISTING OIL & CHIP
 - ③ PROPOSED AGGREGATE SURFACE COURSE, TYPE B, 3"
 - ④ PROPOSED EARTH SHOULDER (SLOPE 3/4" / FT)
 - ⑤ PROPOSED BITUMINOUS SURFACE TREATMENT CLASS A-1
 - ⑥ PROPOSED BITUMINOUS SURFACE TREATMENT CLASS A-2
 - ⑦ EXISTING BITUMINOUS CONCRETE SURFACE
 - ⑧ PREPARATION OF BASE



PARK ROAD TO PARKING LOT 25
PROPOSED TYPICAL SECTION
 STATION 0+09.21 TO STATION 3+13.14

| REVISIONS | |
|-----------|------|
| NAME | DATE |
| | |
| | |
| | |
| | |
| | |
| | |
| | |
| | |
| | |
| | |

ILLINOIS DEPARTMENT OF TRANSPORTATION
PROPOSED TYPICAL SECTION
WEST OKAW FISH & WILDLIFE UNIT
TR 107A TO PARKING LOT 22 & 23
PARK ROAD TO PARKING LOT 25

SCALE: _____ DRAWN BY WILL
 DATE _____ CHECKED BY STEUART