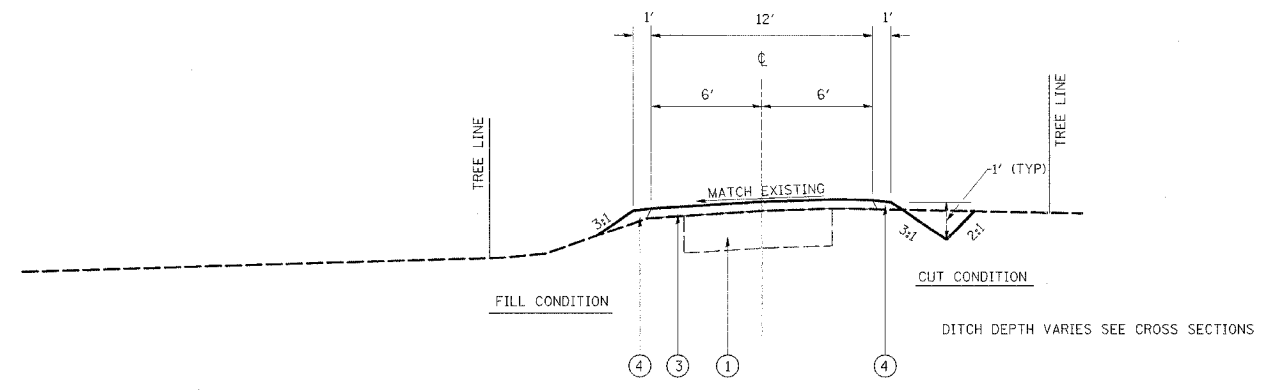


F.A.P. RTE.	SECTION	COUNTY	TOTAL SHEETS	SHEET NO.
*	**	***	310	10

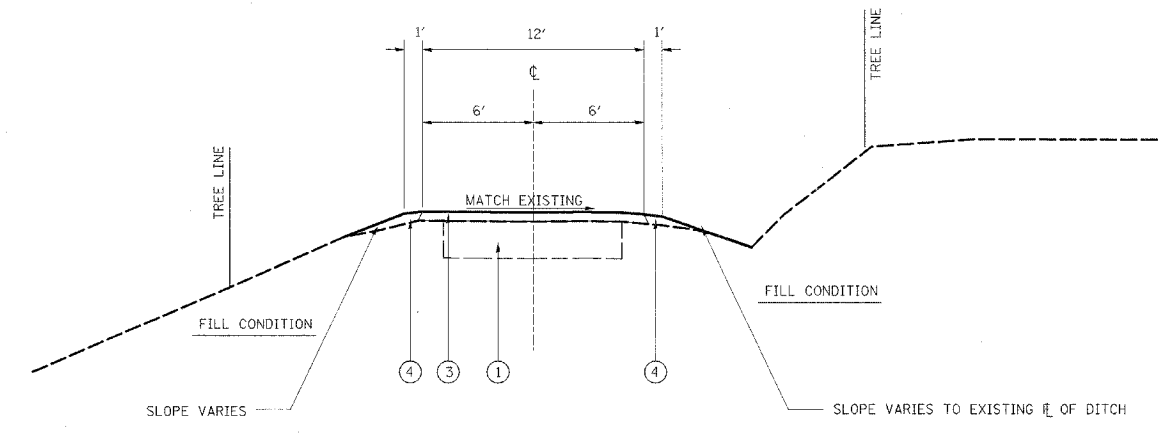
STA. _____ TO STA. _____
 CONTRACT NO. 74155

- * PARK ROADS
- ** SFWA PARK ROADS 2003-1
- *** MOULTRIE AND SHELBY



PARK ROAD TO PARKING LOT 26
PROPOSED TYPICAL SECTION
 STATION 1+10.94 TO STATION 8+33.83

- LEGEND**
- ① EXISTING AGGREGATE SURFACE
 - ② EXISTING OIL & CHIP
 - ③ PROPOSED AGGREGATE SURFACE COURSE, TYPE B, 3"
 - ④ PROPOSED EARTH SHOULDER (SLOPE 3/4" / FT)
 - ⑤ PROPOSED BITUMINOUS SURFACE TREATMENT CLASS A-1
 - ⑥ PROPOSED BITUMINOUS SURFACE TREATMENT CLASS A-2
 - ⑦ EXISTING BITUMINOUS CONCRETE SURFACE
 - ⑧ PREPARATION OF BASE



TR 24 TO PARKING LOT 27 & 29
PROPOSED TYPICAL SECTION
 STATION 1+00.34 TO STATION 34+54.40

REVISIONS	
NAME	DATE

ILLINOIS DEPARTMENT OF TRANSPORTATION
PROPOSED TYPICAL SECTION
WEST OKAW FISH & WILDLIFE UNIT
PARK ROAD TO PARKING LOT 26
TR 24 TO PARKING LOT 27 & 29

SCALE: _____ DRAWN BY WILL
 DATE _____ CHECKED BY STEUART