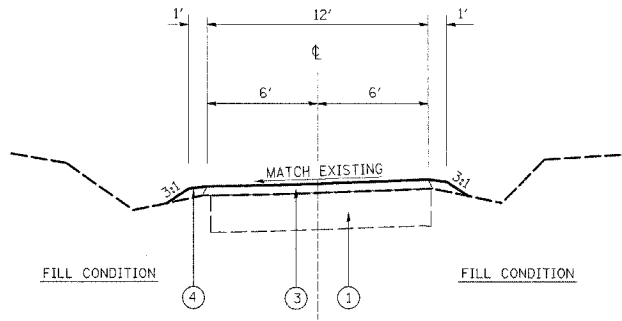


F.A. RTE.	SECTION	COUNTY	TOTAL SHEETS	SHEET NO.
*	**	***	310	19

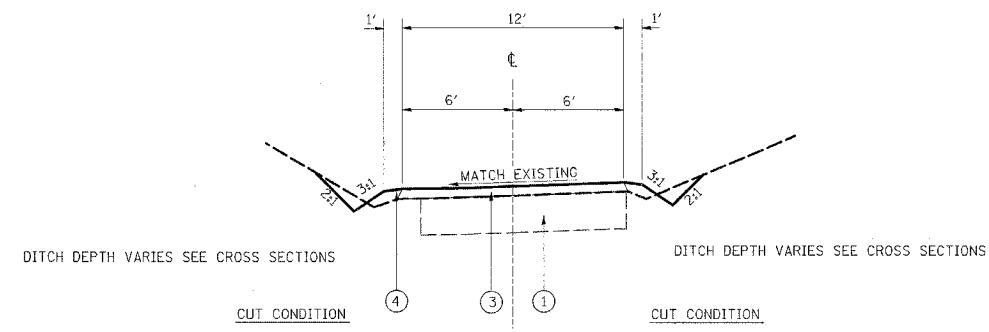
CONTRACT NO. 74155

- PARK ROADS
- \*\* SFWA PARK ROADS 2003-1
- \*\*\* MOULTRIE AND SHELBY



**TR 131A TO PARKING LOT 66**  
**PROPOSED TYPICAL SECTION**  
 STATION 11+00 TO STATION 24+45.36

- LEGEND**
- ① EXISTING AGGREGATE SURFACE
  - ② EXISTING OIL & CHIP
  - ③ PROPOSED AGGREGATE SURFACE COURSE, TYPE B, 3"
  - ④ PROPOSED EARTH SHOULDER (SLOPE 3/4" / FT)
  - ⑤ PROPOSED BITUMINOUS SURFACE TREATMENT CLASS A-1
  - ⑥ PROPOSED BITUMINOUS SURFACE TREATMENT CLASS A-2
  - ⑦ EXISTING BITUMINOUS CONCRETE SURFACE
  - ⑧ PREPARATION OF BASE



**PARK ROAD TO PARKING LOT 67**  
**PROPOSED TYPICAL SECTION**  
 STATION 2+24.95 TO STATION 34+50.00

REVISIONS	
NAME	DATE

ILLINOIS DEPARTMENT OF TRANSPORTATION  
**PROPOSED TYPICAL SECTION**  
**KASKASKIA FISH & WILDLIFE UNIT**  
**PARK ROAD TO PARKING LOT 66, 67**

SCALE: \_\_\_\_\_ DRAWN BY BARGIEL  
 DATE \_\_\_\_\_ CHECKED BY STEUART