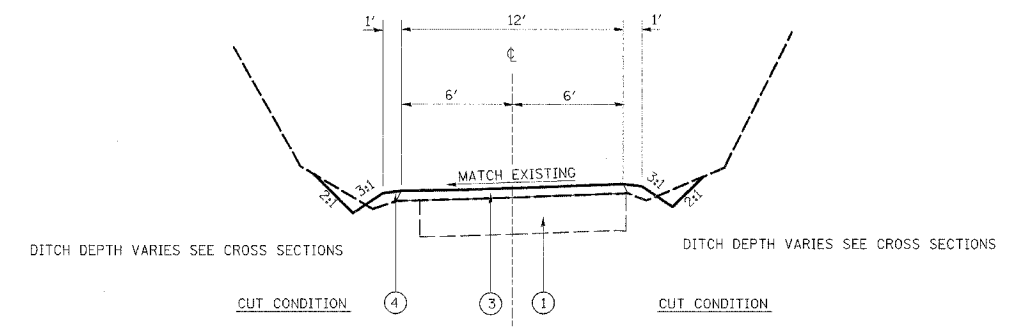


F.A. RTE.	SECTION	COUNTY	TOTAL SHEETS	SHEET NO.
*	**	***	310	20

STA. _____ TO STA. _____

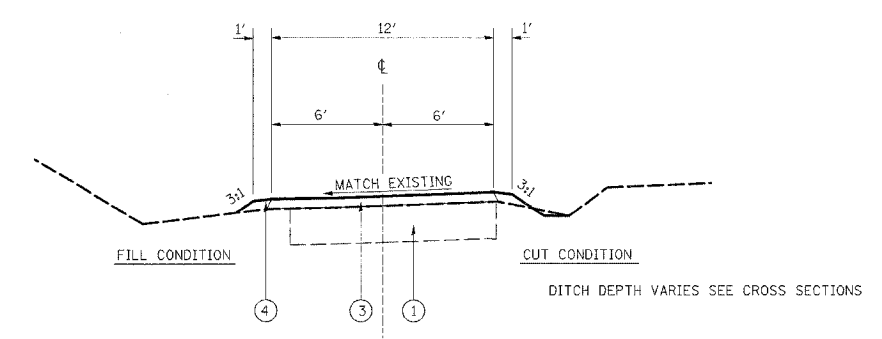
CONTRACT NO. 74155

- * PARK ROADS
- ** SFWA PARK ROADS 2003-1
- *** MOULTRIE AND SHELBY



PARK ROAD TO PARKING LOT 70
PROPOSED TYPICAL SECTION
 STATION 1+64.51 TO STATION 4+00

- LEGEND**
- ① EXISTING AGGREGATE SURFACE
 - ② EXISTING OIL & CHIP
 - ③ PROPOSED AGGREGATE SURFACE COURSE, TYPE B, 3"
 - ④ PROPOSED EARTH SHOULDER (SLOPE 3/4" / FT)
 - ⑤ PROPOSED BITUMINOUS SURFACE TREATMENT CLASS A-1
 - ⑥ PROPOSED BITUMINOUS SURFACE TREATMENT CLASS A-2
 - ⑦ EXISTING BITUMINOUS CONCRETE SURFACE
 - ⑧ PREPARATION OF BASE



PARK ROAD TO PARKING LOT 70
PROPOSED TYPICAL SECTION
 STATION 4+00.00 TO STATION 10+75.02

REVISIONS	
NAME	DATE

ILLINOIS DEPARTMENT OF TRANSPORTATION
PROPOSED TYPICAL SECTION
KASKASKIA FISH & WILDLIFE UNIT
PARK ROAD TO PARKING LOT 70

SCALE: _____ DATE _____
 DRAWN BY BARGIEL
 CHECKED BY STEUART