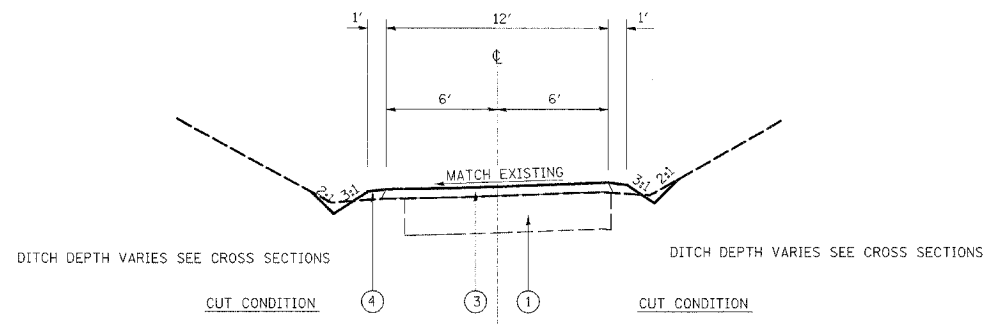


F.A. RTE.	SECTION	COUNTY	TOTAL SHEETS	SHEET NO.
*	**	***	310	23

STA. TO STA.

CONTRACT NO. 74155

- * PARK ROADS
- ** SFWA PARK ROADS 2003-1
- *** MOULTRIE AND SHELBY



PARK ROAD TO PARKING LOT 73
PROPOSED TYPICAL SECTION
 STATION 0+06.69 TO STATION 16+45.28

LEGEND

- ① EXISTING AGGREGATE SURFACE
- ② EXISTING OIL & CHIP
- ③ PROPOSED AGGREGATE SURFACE COURSE, TYPE B, 3"
- ④ PROPOSED EARTH SHOULDER (SLOPE 3/4" / FT)
- ⑤ PROPOSED BITUMINOUS SURFACE TREATMENT CLASS A-1
- ⑥ PROPOSED BITUMINOUS SURFACE TREATMENT CLASS A-2
- ⑦ EXISTING BITUMINOUS CONCRETE SURFACE
- ⑧ PREPARATION OF BASE

REVISIONS	
NAME	DATE

ILLINOIS DEPARTMENT OF TRANSPORTATION
PROPOSED TYPICAL SECTION
KASKASKIA FISH & WILDLIFE UNIT
PARK ROAD TO PARKING LOT 73

SCALE: DATE DRAWN BY BARGIEL CHECKED BY STEUART