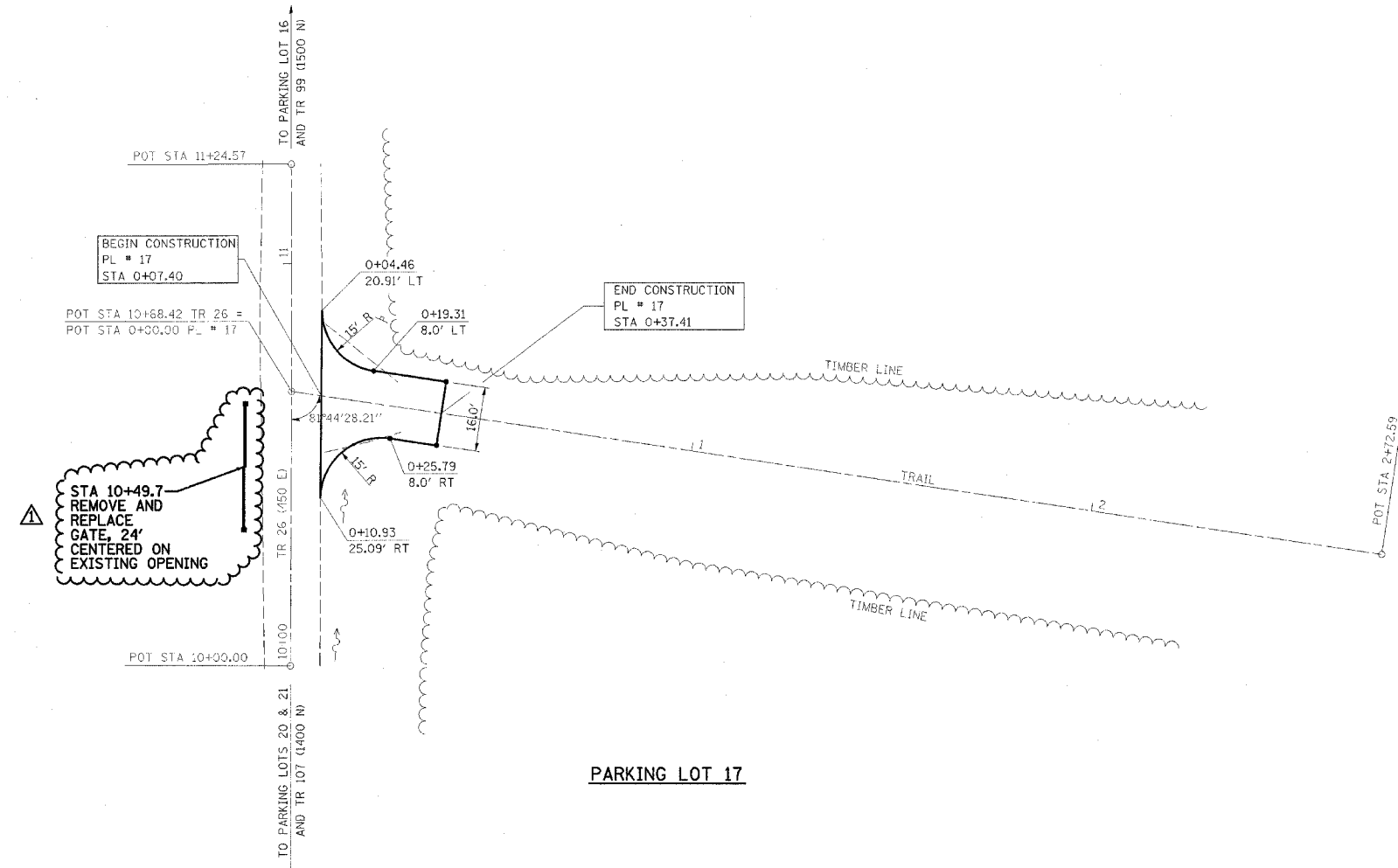


F.A. RTE.	SECTION	COUNTY	TOTAL SHEETS	SHEET NO.
*	**	***	310	96

CONTRACT NO. 74155

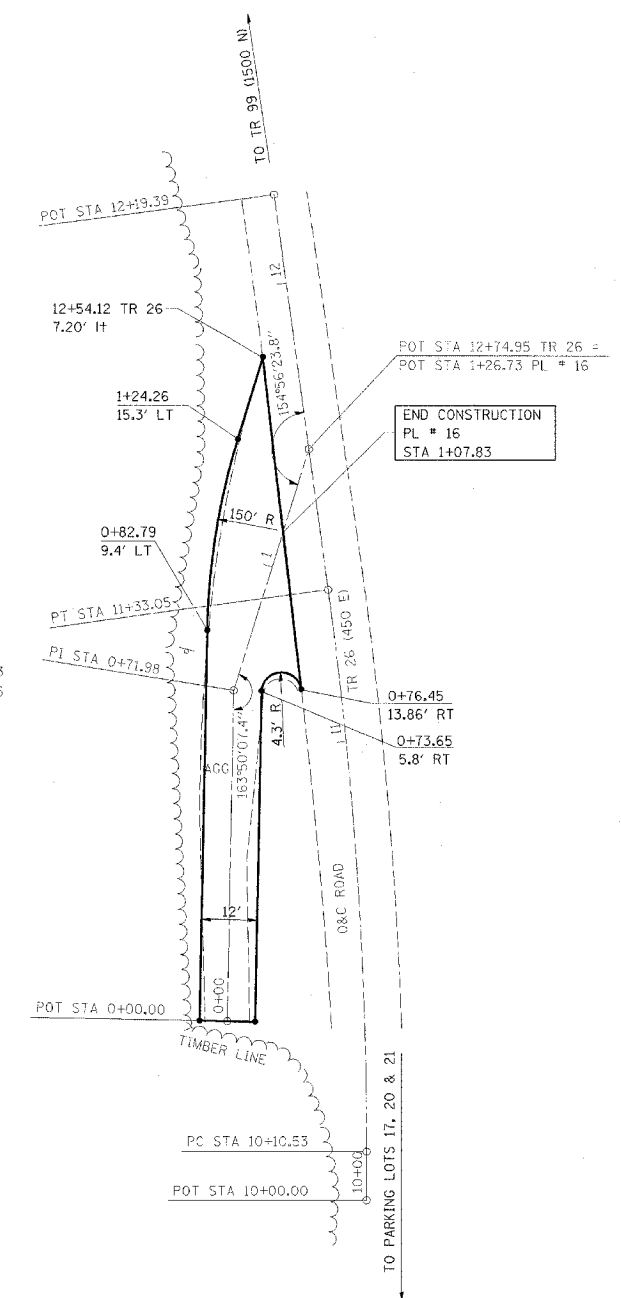
- \* PARK ROADS
- \*\* SFWA PARK ROADS 2003-1
- \*\*\* MOULTRIE AND SHELBY



**PARKING LOT 17**

NOTE:  
 PARKING LOT 17  
 STA 0+07.40 TO STA 0+37.41  
 SURFACE IMPROVEMENTS,  
 ADD 3" AGGREGATE

EXIST. CURVE 16.1  
 PI STA. = 10+71.89  
 $\Delta = 7^\circ 48' 01''$  (LT)  
 $D = 6^\circ 21' 58''$   
 $R = 900.00'$   
 $T = 61.36'$   
 $L = 122.53'$   
 $E = 2.09'$   
 P.C. STA. = 10+10.53  
 P.T. STA. = 11+33.05



**PARKING LOT 16**

NOTE:  
 PARKING LOT 16  
 END STA 1+07.83  
 SURFACE IMPROVEMENTS,  
 ADD 3" AGGREGATE



REVISIONS	
NAME	DATE
FGI	11/23/2005

ILLINOIS DEPARTMENT OF TRANSPORTATION  
**WEST OKAW FISH & WILDLIFE UNIT**  
**PARKING LOT PLAN**  
**PL 17 & PL 16**

SCALE: \_\_\_\_\_  
 DATE \_\_\_\_\_

DRAWN BY BANDY  
 CHECKED BY STELIART