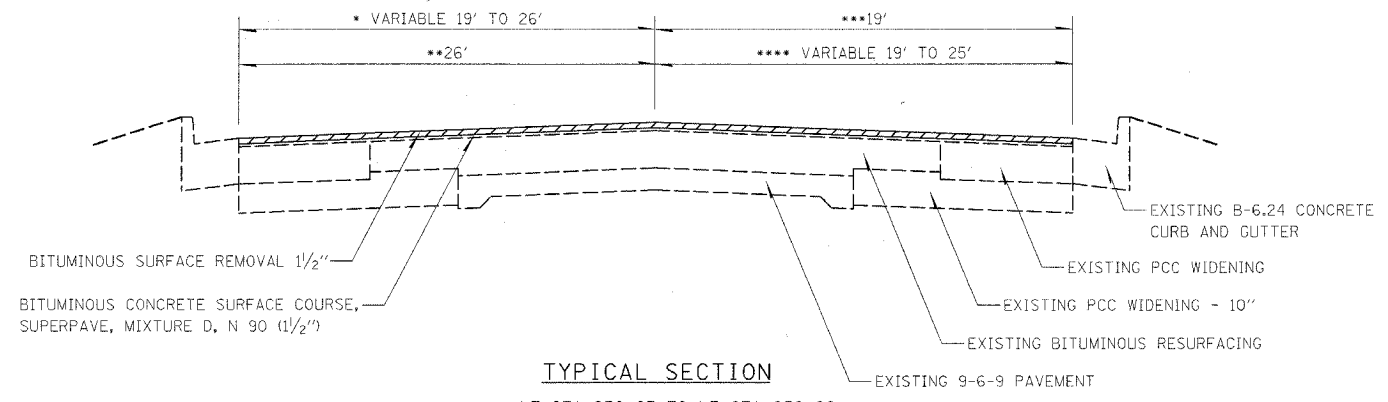
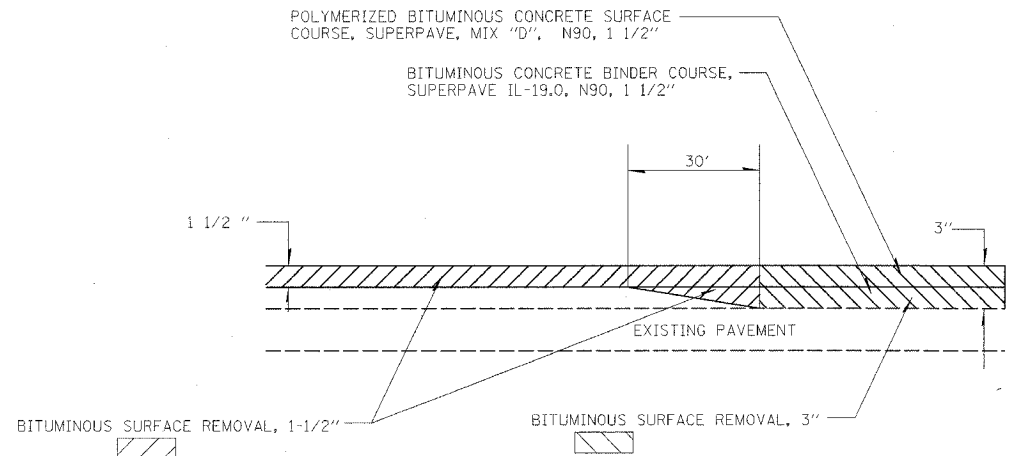


F.A.P. RTE.	SECTION	COUNTY	TOTAL SHEETS	SHEET NO.
116		RICHLAND	43	7
STA.		TO STA.		
FED. ROAD DIST. NO.		ILLINOIS FED. AID PROJECT		
• (123Z, 124Z)TS-2,RS-3				



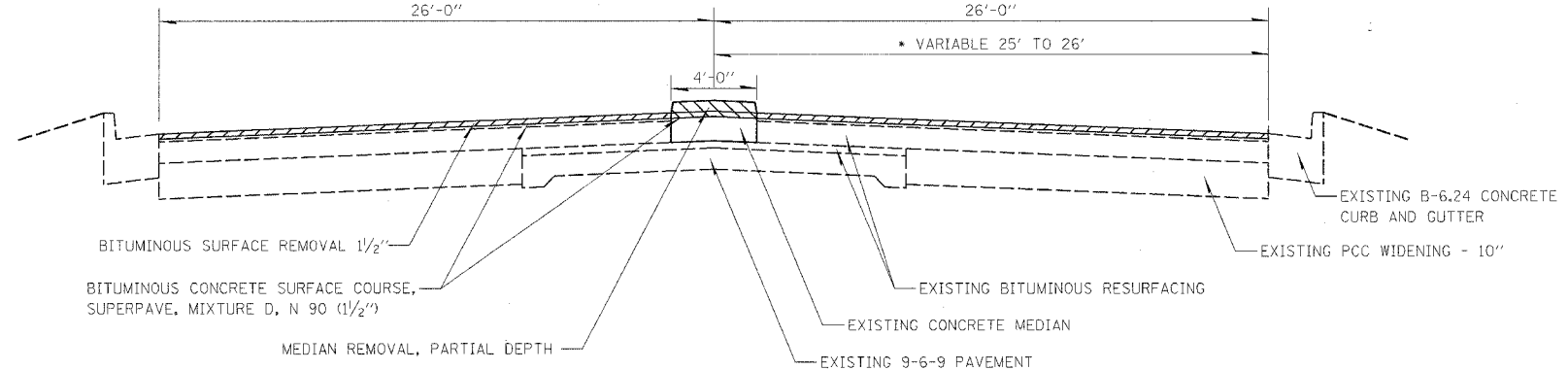
TYPICAL SECTION

- LT STA 976+67 TO LT STA 979+92
- LT STA 979+92 TO LT STA 980+65
- RT STA 976+67 TO RT STA 977+75
- RT STA 977+75 TO RT STA 980+65



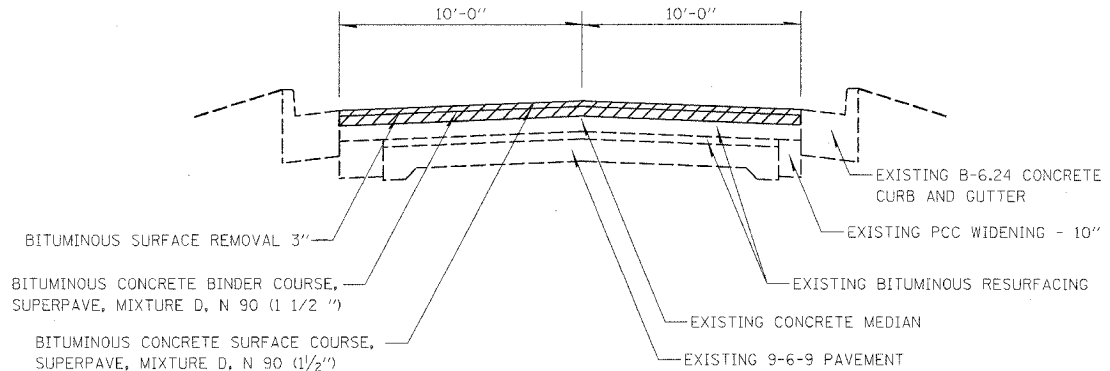
BITUMINOUS SURFACE REMOVAL TRANSITION SECTION

STA 1008+10 TO STA 1008+40



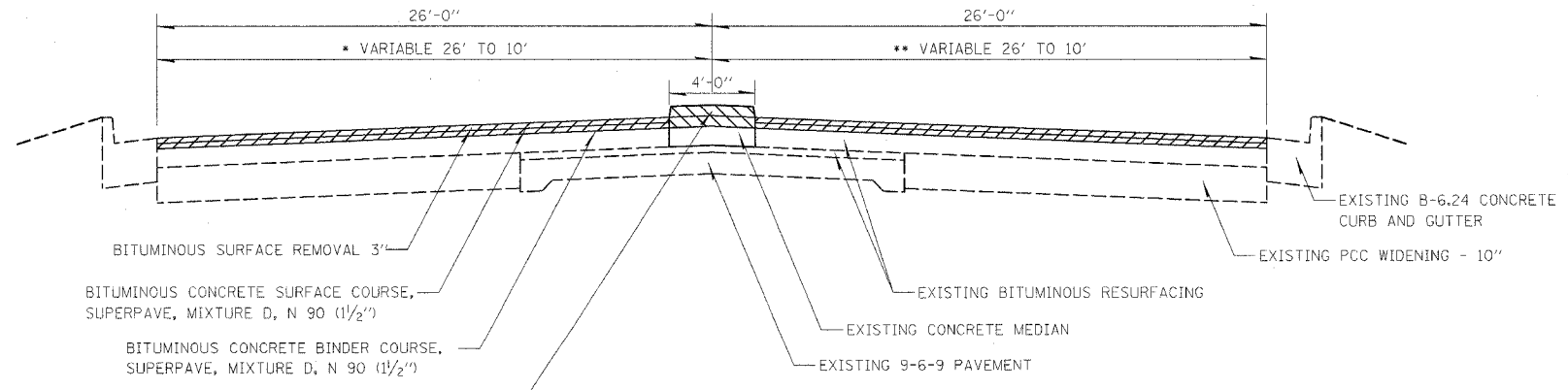
TYPICAL SECTION

- LT STA 980+65 TO LT STA 1008+40
- RT STA 980+65 TO RT STA 981+14
- RT STA 981+14 TO RT STA 1008+40



TYPICAL SECTION

- LT STA 20+73 TO LT STA 21+31
- RT STA 20+62 TO RT STA 21+31



TYPICAL SECTION

- RT & LT STA 1008+40 TO RT & LT STA 1016+90.51
- RT & LT STA EQ 1016+90.51 BK = 4+27.49 AH
- RT & LT STA 4+27.49 TO RT & LT STA 16+56
- LT STA 16+56 TO LT STA 18+46
- LT STA 18+46 TO LT STA 20+73
- RT STA 16+56 TO RT STA 20+62

REVISIONS	
NAME	DATE

ILLINOIS DEPARTMENT OF TRANSPORTATION

TYPICAL SECTIONS

SCALE: VERT. HORIZ. DATE

DRAWN BY CHECKED BY

5/19/2006 c:\proj\ts\74161\d\03406pa.dgn

PLOT DATE = 5/19/2006  
FILE NAME = #FILE#  
PLOT SCALE = #SCALE#  
USER NAME = #DISTRICT#