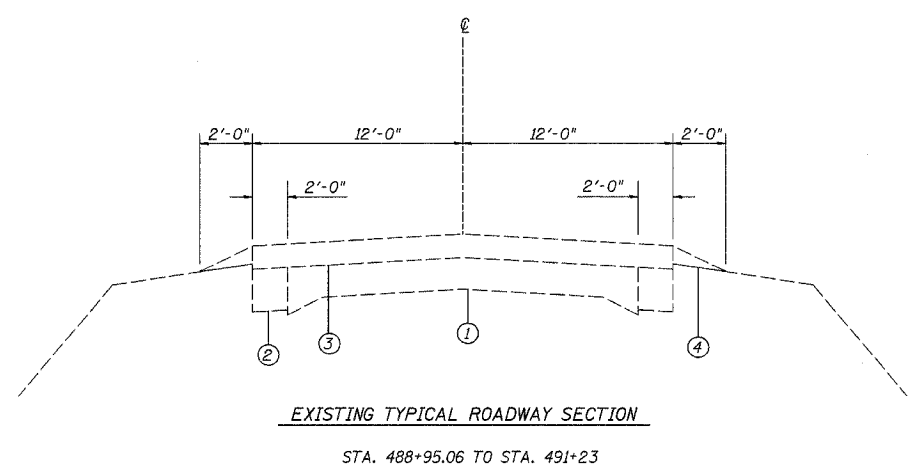
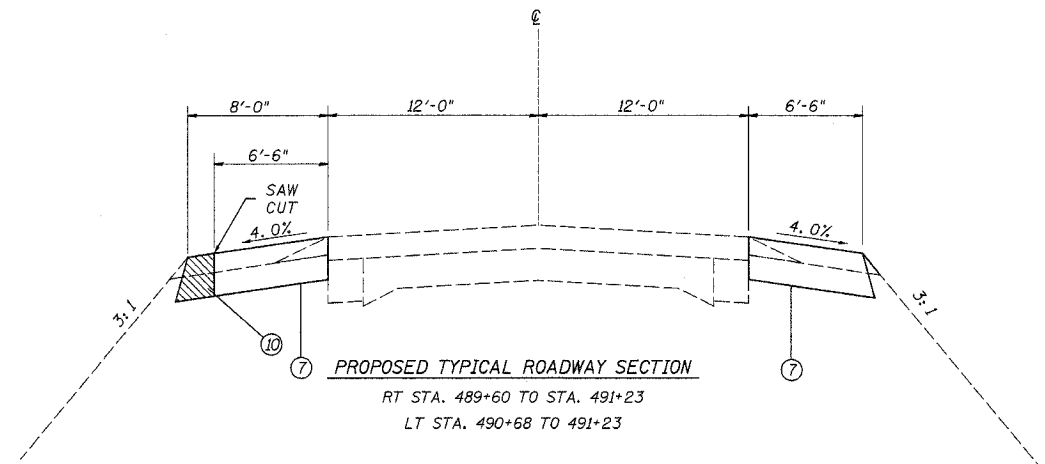
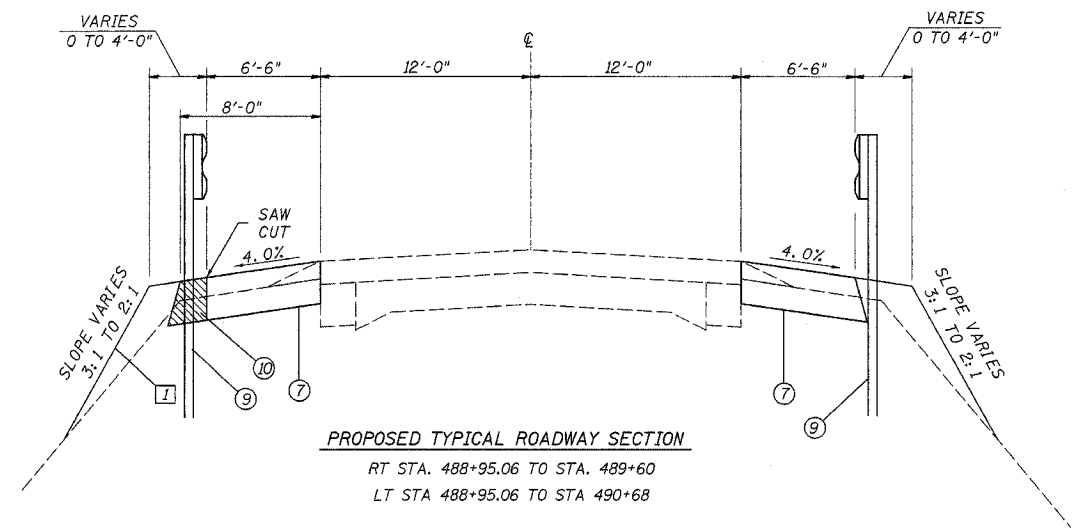


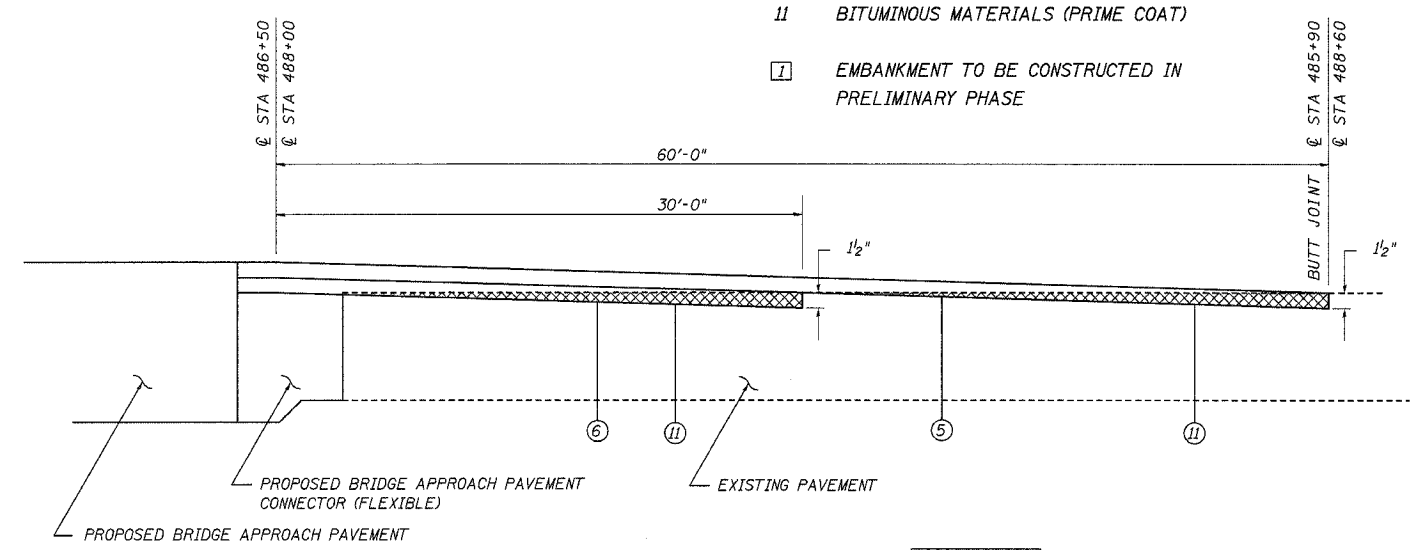
FAP ROUTE	SECTION	COUNTY	TOTAL SHEETS	SHEET NO
42	2BR	WASHINGTON	33	5
STA.		TO STA.		
EXISTING CONDITIONS:				

CONTRACT NO. 76389



LEGEND

- 1 EXISTING CONCRETE PAVEMENT (9''-6''-9'')
- 2 EXISTING CONCRETE WIDENING 8''
- 3 EXISTING BITUMINOUS CONCRETE 4 1/2''
- 4 EXISTING AGGREGATE SHOULDERS
- 5 PROPOSED BITUMINOUS CONCRETE SURFACE COURSE, SUPERPAVE, MIX "C", N70 1 1/2''
- 6 PROPOSED BITUMINOUS CONCRETE BINDER COURSE, SUPERPAVE, IL 19.0, N70 1 1/2''
- 7 PROPOSED BITUMINOUS BASE COURSE SUPERPAVE 8''
- 8 PROPOSED BITUMINOUS SHOULDERS, SUPERPAVE
- 9 PROPOSED STEEL PLATE BEAM GUARD RAIL TYPE A
- 10 PROPOSED PAVEMENT REMOVAL
- 11 BITUMINOUS MATERIALS (PRIME COAT)
- 1 EMBANKMENT TO BE CONSTRUCTED IN PRELIMINARY PHASE



INDICATES LIMITS OF BITUMINOUS SURFACE REMOVAL - BUTT JOINT

BITUMINOUS BASE COURSE SHALL BE CONSTRUCTED FLUSH WITH THE TOP SURFACE OF THE EXISTING PAVEMENT.
 BITUMINOUS SURFACE REMOVAL SHALL EXTEND FROM OUTSIDE OF BITUMINOUS BASE COURSE TO OUTSIDE OF BITUMINOUS BASE COURSE.

TYPICAL SECTIONS

FAP ROUTE 42 (IL 127)
 SECTION 2BR
 WASHINGTON COUNTY

CUMMINS ENGINEERING CORPORATION

JOB #: 2158
FILE: 2158typical
DATE: 6/22/05

PLAN	DATE
SURVEYED	
ADJUSTED	
NOTED	
CHECKED	
DATE	
BY	
NO.	

DATE
 TIME
 REF.