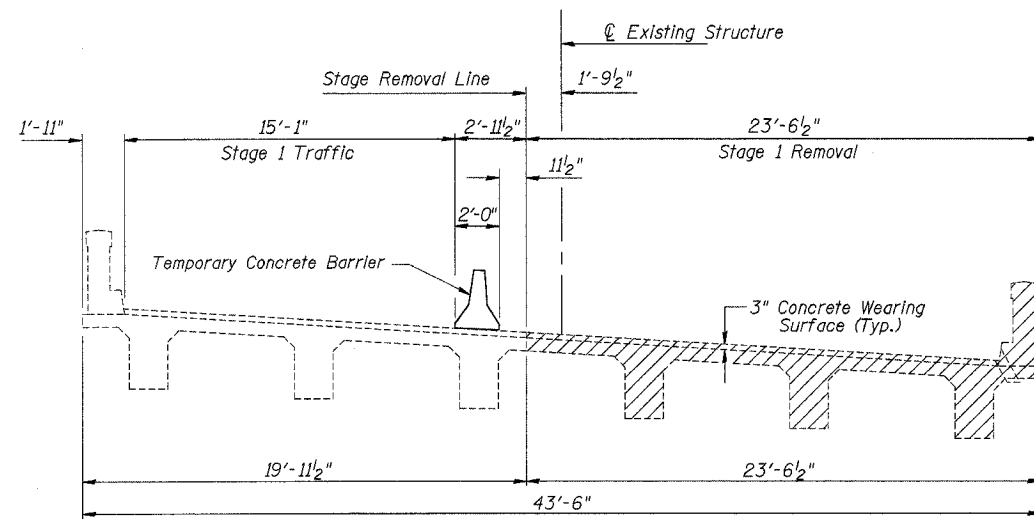
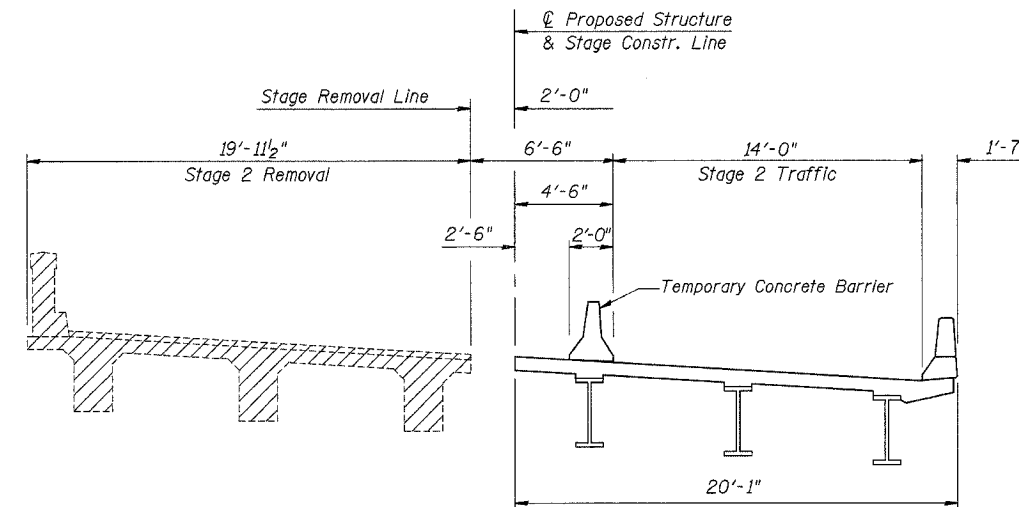


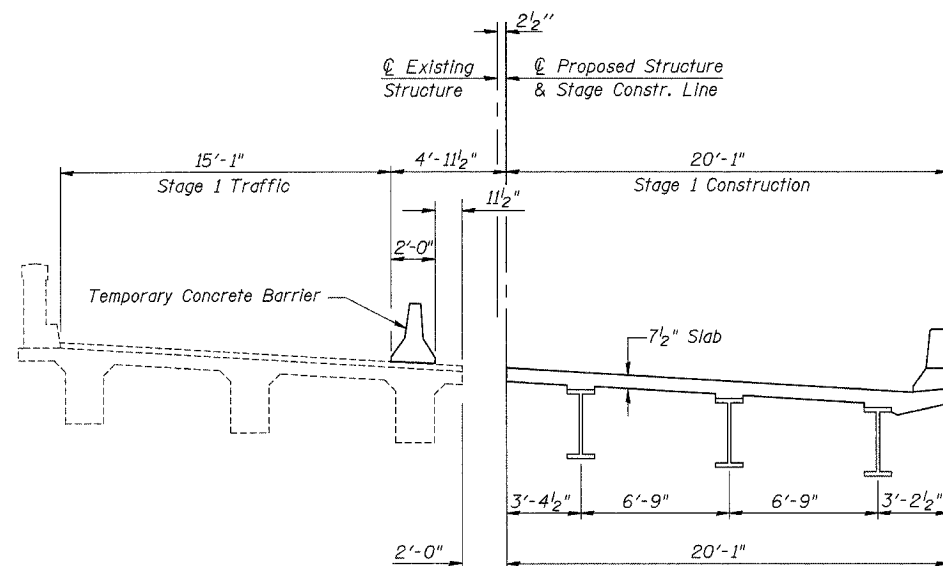
ROUTE NO.	SECTION	COUNTY	TOTAL SHEETS	SHEET NO.
F.A.P. 42	2BR	WASHINGTON	33	17
FED. ROAD DIST. NO. 8	ILLINOIS	PROJECT		
Sheet 3 of 16			CONTRACT #76389	



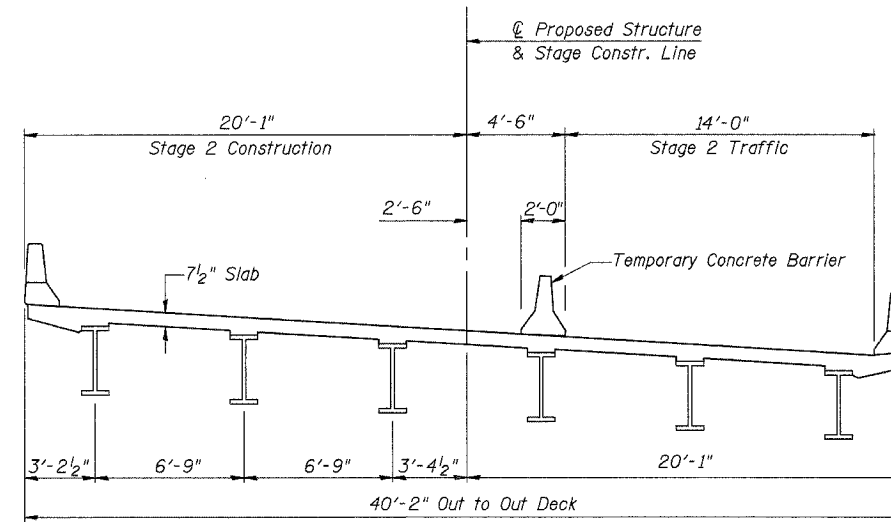
**STAGE 1 REMOVAL**  
(Looking South)



**STAGE 2 REMOVAL**  
(Looking South)



**STAGE 1 CONSTRUCTION**  
(Looking South)



**STAGE 2 CONSTRUCTION**  
(Looking South)

Notes:  
Hatched areas indicate Removal of Existing Structures.  
For details of Temporary Concrete Barrier, see sheet 15 of 16.  
See Roadway Plans for quantity of Temporary Concrete Barrier.

DESIGNED	Ruben V. Boehler
CHECKED	Tim S. Howard
DRAWN	Nicole L. Darling
CHECKED	Michael D. Cummins

<b>STAGE CONSTRUCTION DETAILS</b>	
IL ROUTE 127 OVER TRIBUTARY TO CROOKED CREEK F.A.P. ROUTE 42 SECTION 2BR WASHINGTON COUNTY STA. 487+25 S.N. 095-0076	
CUMMINS ENGINEERING CORPORATION	JOB #: 2158 FILE: 2158STAGE DATE: 3/14/05