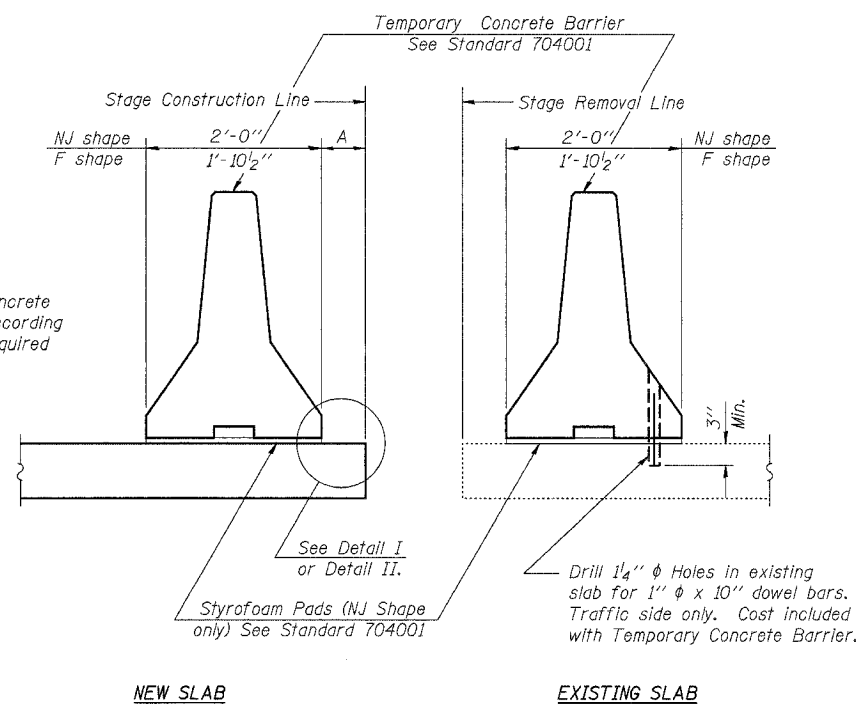


ROUTE NO.	SECTION	COUNTY	TOTAL SHEETS	SHEET NO.
F.A.P. 42	2BR	WASHINGTON	33	29
FED. ROAD DIST. NO. 8	ILLINOIS	PROJECT		

Sheet 15 of 16 CONTRACT #76389

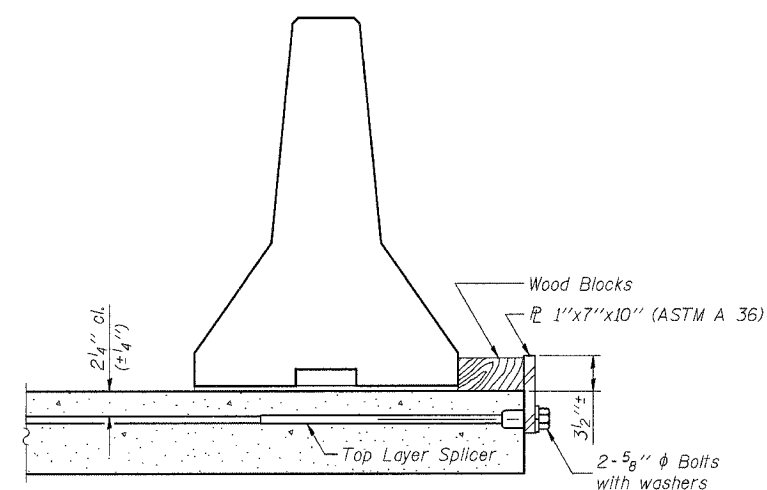


When "A" is 3'-6" or less, the temporary concrete barrier shall be anchored to the new slab according to Detail I or Detail II. No anchorage is required when "A" is greater than 3'-6".

**SECTIONS THRU SLAB**

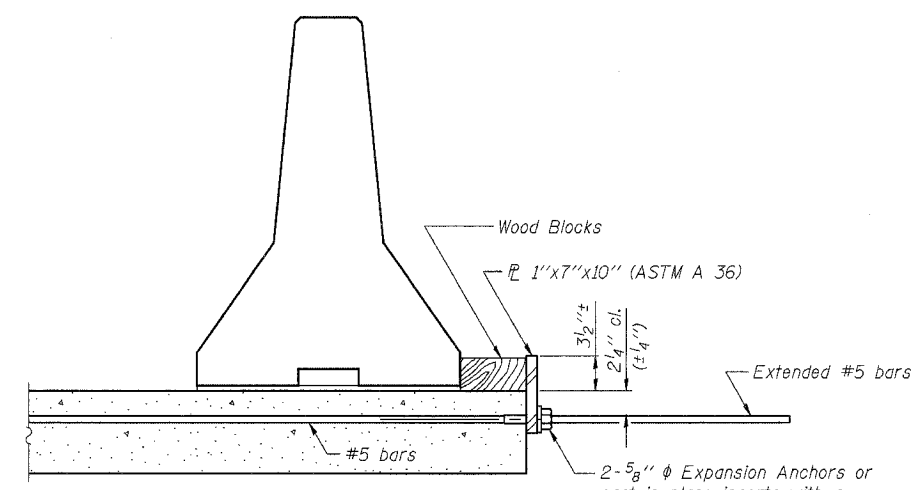
**NOTES**

- Detail I - With Bar Splicer or Couplers:  
Connect one (1) 1"x7"x10" steel plate to the top layer of couplers with 2-5/8" φ bolts screwed to coupler at approximate center of each barrier panel.
  - Detail II - With Extended Reinforcement Bars:  
Connect one (1) 1"x7"x10" steel plate to the concrete slab with 2-5/8" φ Expansion Anchors or cast in place inserts spaced between the top layer of reinforcement at approximate center of each barrier panel.
- Cost of anchorage is included with Temporary Concrete Barrier.



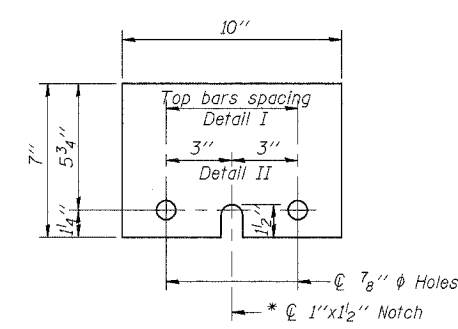
**DETAIL I**

The 1"x7"x10" Plate shall not be removed until Stage II Construction forms and reinforcement bars are in place.



**DETAIL II**

The 1"x7"x10" Plate shall not be removed until Stage II Construction forms and all reinforcement bars are in place and the concrete is ready to be placed.



**1"x7"x10"**

\* Required only with Detail II

DESIGNED	Ruben V. Boehler
CHECKED	Tim S. Howard
DRAWN	Nicole L. Darling
CHECKED	Michael D. Cummins

R-27 9-01-03

**TEMPORARY CONCRETE BARRIER FOR STAGE CONSTRUCTION**  
 IL ROUTE 127 OVER TRIBUTARY TO CROOKED CREEK  
 F.A.P. ROUTE 42 SECTION 2BR  
 WASHINGTON COUNTY  
 STA. 487+25  
 S.N. 095-0076

CUMMINS ENGINEERING CORPORATION  
 JOB #: 2158  
 FILE: 2158BARRIER  
 DATE: 11/16/04