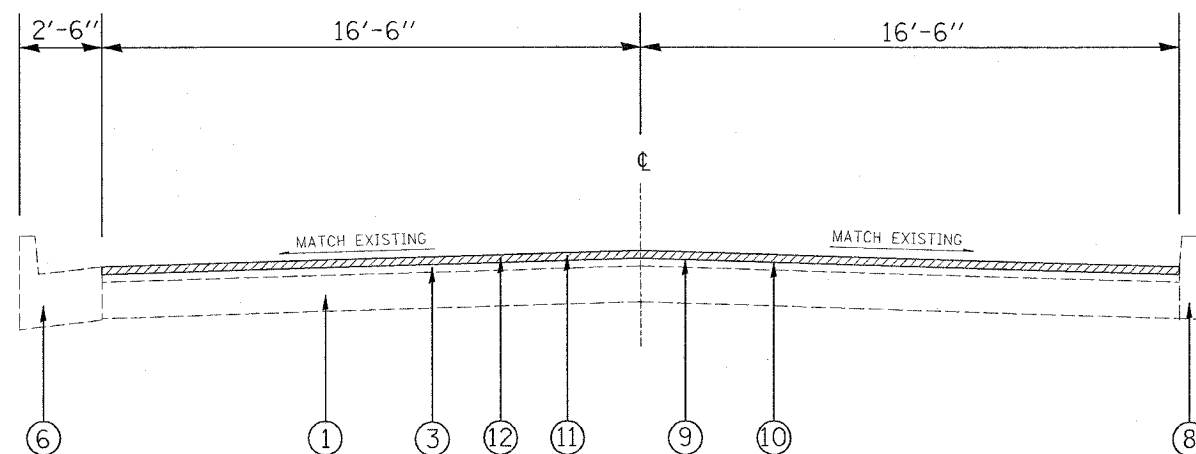
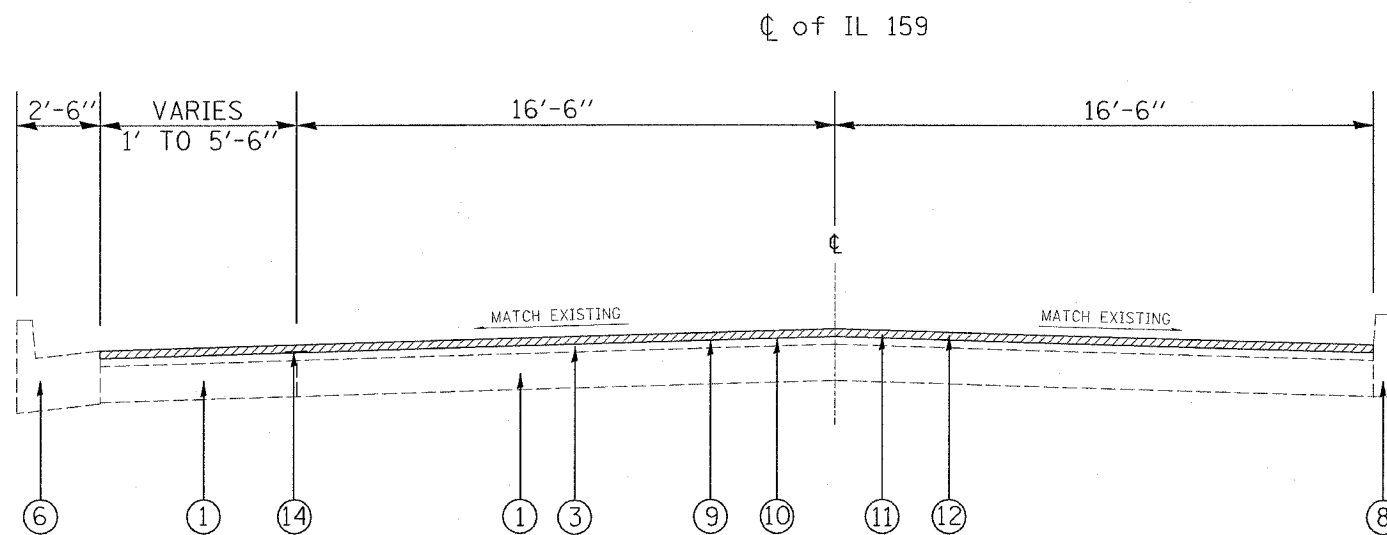


F.A.P. RTE.	SECTION	COUNTY	TOTAL SHEETS	SHEET NO.
600	34RS-2	MADISON	39	8
STA. _____		TO STA. _____		
FED. ROAD DIST. NO.	ILLINOIS	FED. AID PROJECT		



TYPICAL SECTION  
STA 997+88.50 TO STA 999+36.00



TYPICAL SECTION  
STA 999+36.00 TO STA 1004+28.00

LEGEND

- ① EXISTING PCC PAVEMENT, 7"
- ② EXISTING BITUMINOUS BASE COURSE, 8'-6"
- ③ EXISTING BITUMINOUS RESURFACING, 3.5"
- ④ EXISTING BITUMINOUS RESURFACING, 4.5"
- ⑤ EXISTING BITUMINOUS SHOULDERS, 8"
- ⑥ EXISTING CONCRETE CURB AND GUTTER TY. B-6.24
- ⑦ EXISTING TYPE B GUTTER
- ⑧ EXISTING TYPE B CURB
- ⑨ PROPOSED AGGREGATE MATERIALS (PRIME COAT)
- ⑩ PROPOSED BITUMINOUS MATERIALS (PRIME COAT)
- ⑪ PROPOSED BITUMINOUS SURFACE REMOVAL, 1.5"
- ⑫ PROPOSED BITUMINOUS CONCRETE SURFACE COURSE, SUPERPAVE, MIX D, N90
- ⑬ PROPOSED BITUMINOUS SHOULDERS SUPERPAVE 1.5"
- ⑭ PROPOSED STRIP REFLECTIVE CRACK CONTROL

NOTE: THE INTENT OF THE MILLING IS TO REMOVE 1/2" OF THE EXISTING SURFACE AND REPLACE WITH 1/2" OF BITUMINOUS CONCRETE SURFACE COURSE, SUPERPAVE, MIX "D", N90

REVISIONS	
NAME	DATE

ILLINOIS DEPARTMENT OF TRANSPORTATION  
**TYPICAL SECTIONS**  
FAP ROUTE 600  
SECTION 34RS-2  
COUNTY MADISON  
DRAWN BY:

PLOT DATE: 5/17/2006

#DATE# 5/17/2006  
 #PROJECT# 76441  
 #REF#  
 #REF#