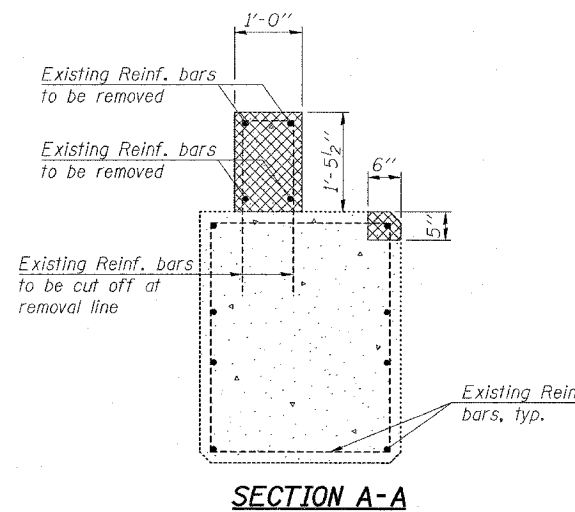
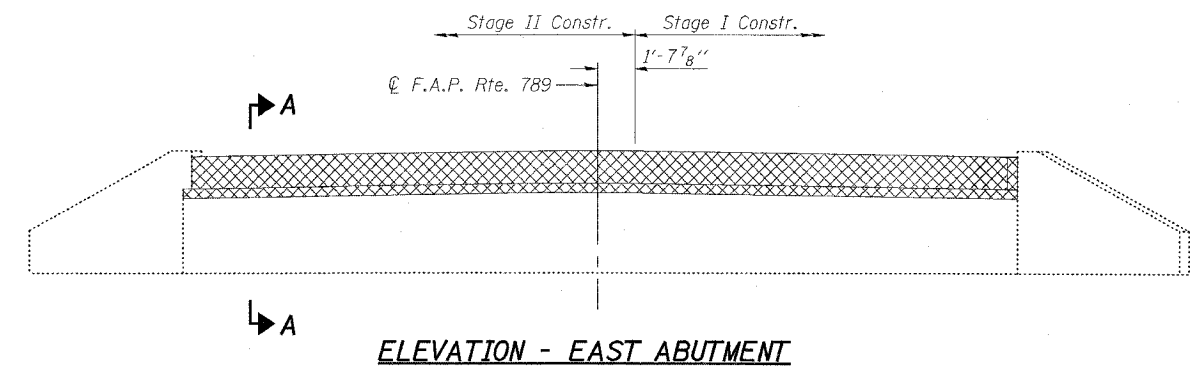
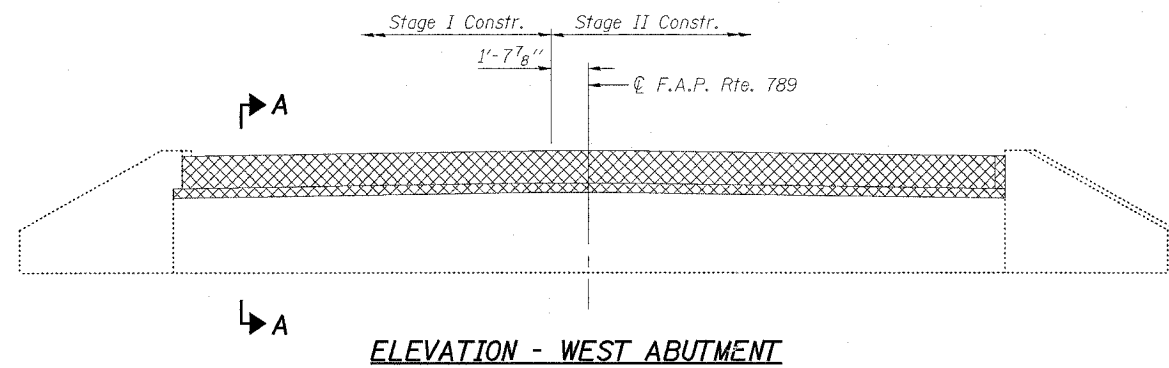
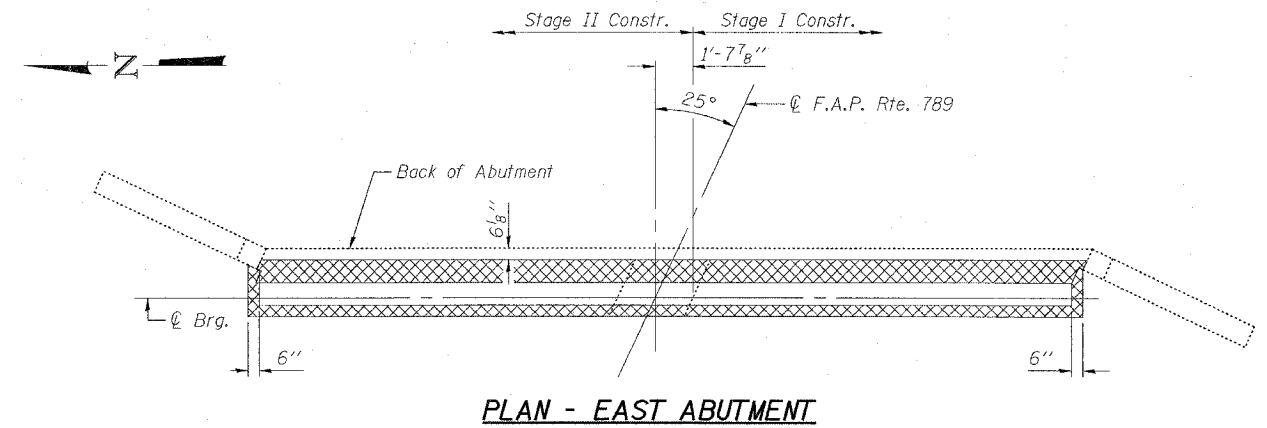
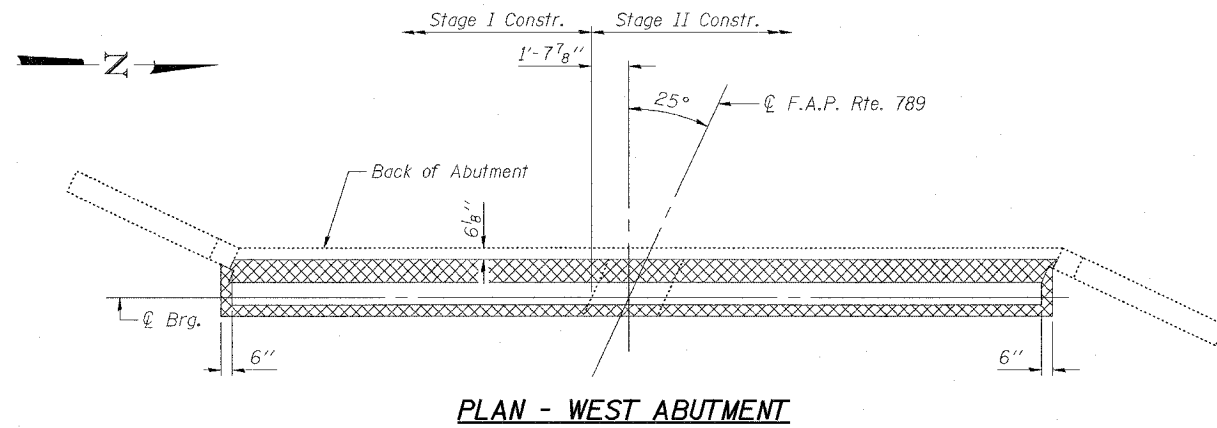


STATE OF ILLINOIS
DEPARTMENT OF TRANSPORTATION

ROUTE NO.	SECTION	COUNTY	TOTAL SHEETS	SHEET NO.
F.A.P. 789-68-BR-1		MADISON	12	19
FED. ROAD DIST. NO. 7	ILLINOIS	FED. AID PROJECT-		

Contract #76896



BILL OF MATERIAL

Item	Unit	Total
Concrete Removal	Cu. Yd.	4.6

Note:
Hatched area indicates "Concrete Removal".
Reinforcement extending into removed area shall be cleaned and incorporated into the new construction, except as noted.
Any reinforcement bars that are damaged during concrete removal operations shall be repaired or replaced using an approved bar splicer or anchorage system. Cost incidental to "Concrete Removal".
Concrete Removal shall occur during its respective stage construction.
For West Abutment details, see sheet 8 of 12.
For East Abutment details, see sheet 9 of 12.

ABUTMENT CONCRETE REMOVAL DETAILS
F.A.P. ROUTE 789 - SECTION 68-BR-1
MADISON COUNTY
STATION 98+33.25
STRUCTURE NO. 060-0150

DESIGNED	EML
CHECKED	NJM
DRAWN	EML
CHECKED	NJM

HORNER & SHIFRIN, INC.
ENGINEERS ■ ARCHITECTS ■ PLANNERS