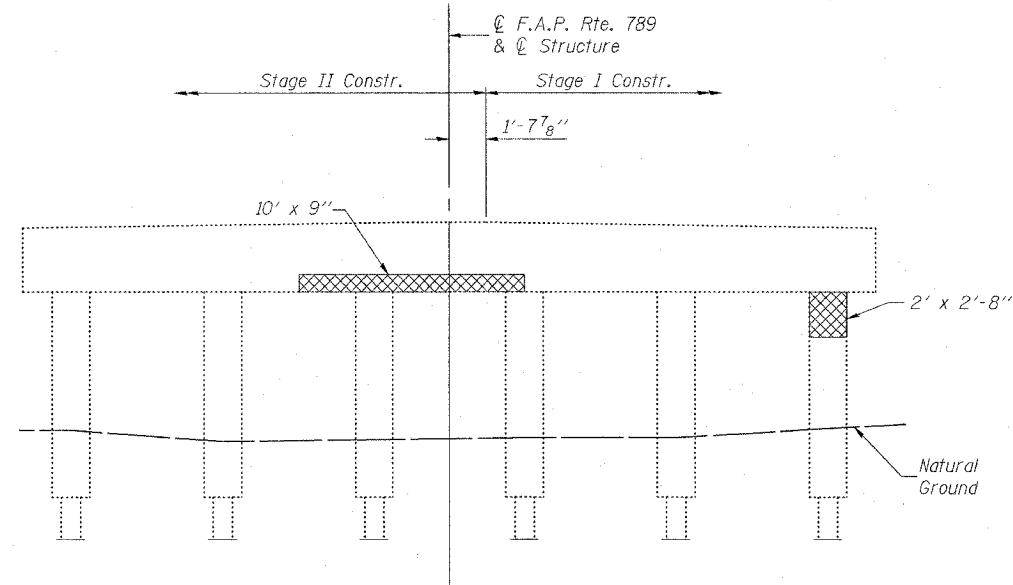


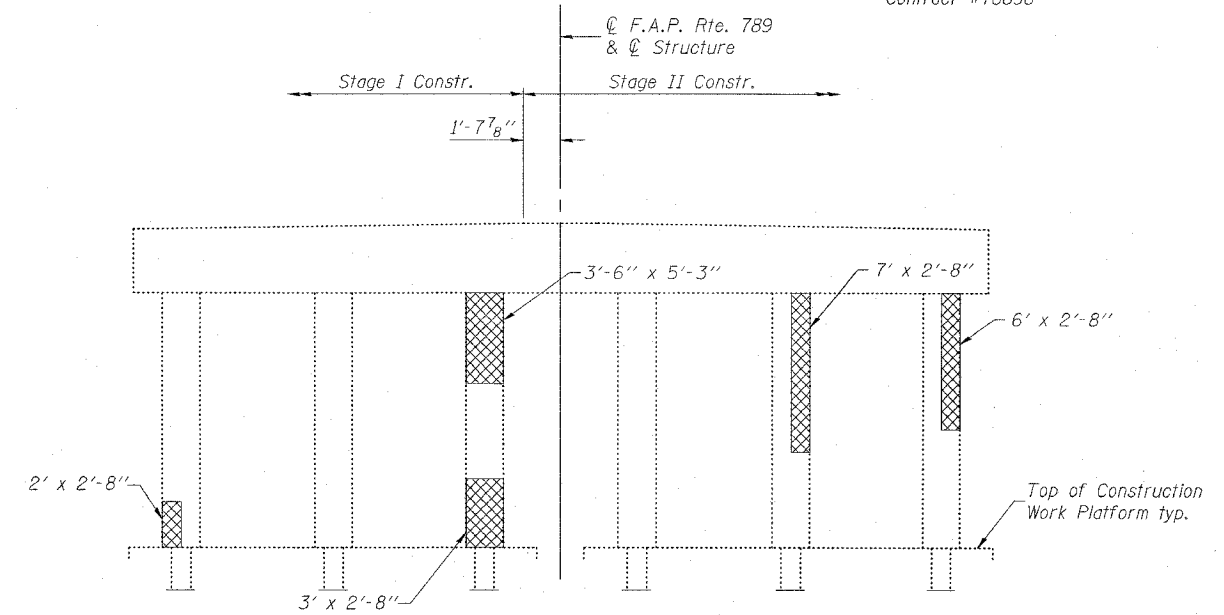
STATE OF ILLINOIS
DEPARTMENT OF TRANSPORTATION

ROUTE NO.	SECTION	COUNTY	TOTAL SHEETS	SHEET NO.	SHEET NO. 12
F.A.P. 789	68-BR-1	MADISON		21	12 SHEETS
FED. ROAD DIST. NO. 7	ILLINOIS	FED. AID PROJECT			

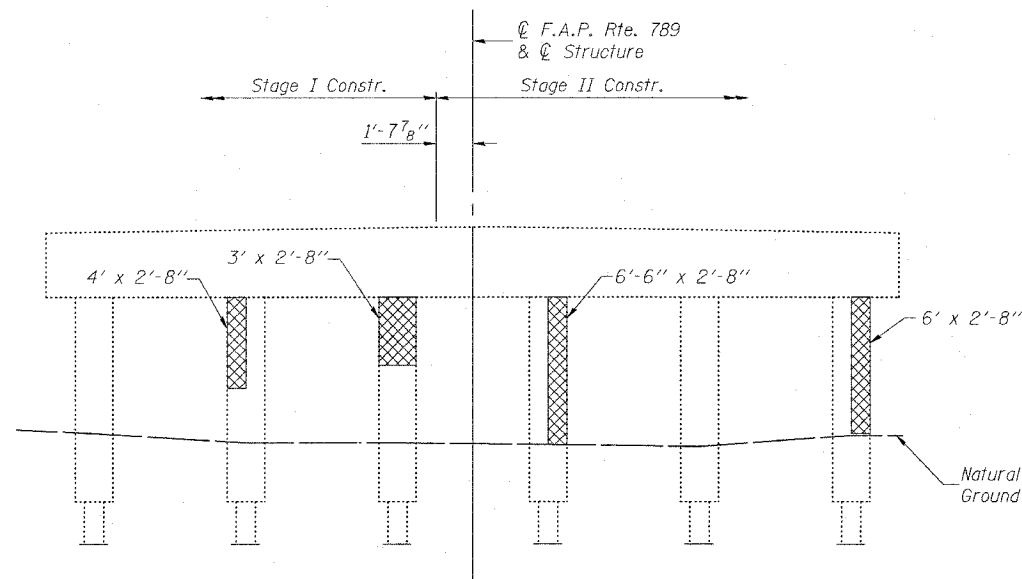
Contract #76896



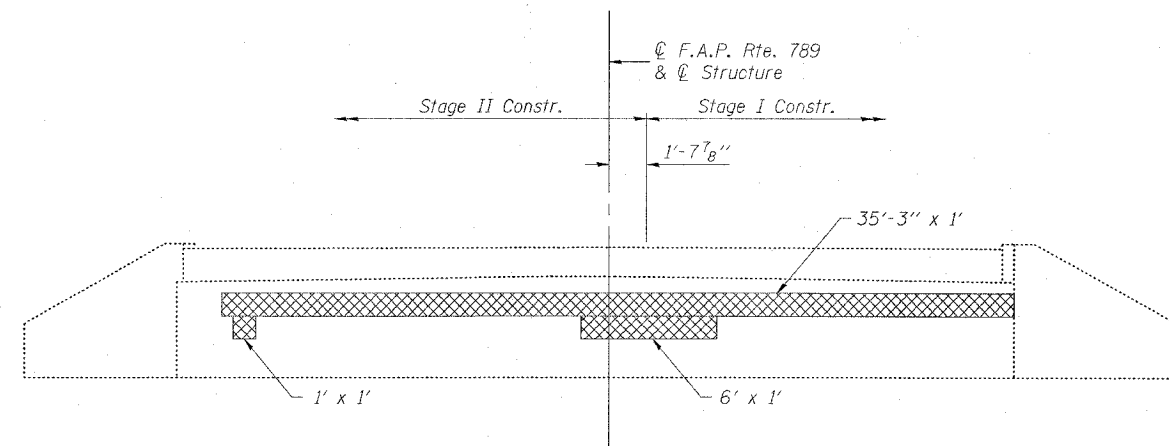
ELEVATION-PIER BENT 2
(Looking East)



ELEVATION-PIER BENT 3
(Looking West)



ELEVATION-PIER BENT 2
(Looking West)



ELEVATION-EAST ABUTMENT
(Looking East)

Notes:
Structural Repair of Concrete shall occur during its respective stage construction.
See Special Provisions for Structural Repair of Concrete.

LEGEND

▣ Structural Repair of Concrete

BILL OF MATERIAL

Item	Unit	Total
Structural Repair of Concrete (Depth Equal to or less than 5")	Sq. Ft.	173.5

DESIGNED	EML
CHECKED	NJM
DRAWN	EML
CHECKED	NJM

HORNER & SHIFRIN, INC.
ENGINEERS ■ ARCHITECTS ■ PLANNERS

SUBSTRUCTURE REPAIR DETAILS
F.A.P. ROUTE 789 - SECTION 68-BR-1
MADISON COUNTY
STATION 98+33.25
STRUCTURE NO. 060-0150